

**For: RYAN**

**Printed on: Mon, Nov 25, 1991 10:33:20**

**From book: EK-210QF-IP-002**

**Document: 210QF-CP**

**Last saved on: Mon, Nov 25, 1991 10:31:47**

**Document: FIG1-2**

**Last saved on: Mon, Nov 25, 1991 10:33:03**

**Document: IndexSep**

**Last saved on: Mon, Nov 25, 1991 10:33:16**

**Document: N Index**

**Last saved on: Mon, Nov 25, 1991 10:33:23**

**Document: D Index**

**Last saved on: Mon, Nov 25, 1991 10:33:30**

**Document: 210QF-RC**

**Last saved on: Mon, Nov 25, 1991 10:33:37**

**ILLUSTRATED  
PARTS  
BREAKDOWN**

**210QF  
CABINET SYSTEM**

**HOW TO USE THE IPB**

**GENERAL**

This IPB is compiled following the organization and nomenclature of the engineering drawing structure.

**MAJOR ASSEMBLY LOCATOR (When Applicable)**

The Major Assembly Locator (first illustration) is an index that provides a description and a figure reference for all illustrations used in this manual.

**INDENTED PARTS LIST**

This manual identifies each assembly being broken down (figure reference callout), and all parts of that assembly. Further breakdown of an assembly is shown by an asterisk (\*) preceding the item callouts in the Description Column. The number of asterisks preceding an item is used to denote the subordination of that item with respect to the Major Assembly. A single asterisk preceding an item description indicates that the item is part of the major assembly being illustrated. Items that are subordinate to single asterisks items, are denoted by two asterisks (\*\*) and immediately follow the related single asterisk item. This system of part identification provides a means for the user to identify the next higher assembly item and make alternate selections for parts when the required replacement part of assembly is not immediately available.

**COLUMN CALLOUT DESCRIPTION**

**Figure and Item** - Indicates the figure number and item number of each part.

**Description** - Lists the name of the part and pertinent specifications (when required). Asterisks preceding the description denote the subordination of the part to the next higher assembly.

**DEC Part No.** - Lists the Digital part ordering number. A blank in this column indicates a Digital part number was not assigned at the time of publication.

**ECO Cut-In** - The notation at the top of this column indicates the ECO level of the system (option), at which the IPB was initially prepared. Subsequent ECO level designations, that modify existing parts or add new parts to the device, are inserted in the ECO Cut-In column next to the part that is added or modified.

**Used On Code** - Letters in this column correspond to the variation codes assigned in Figure 1. Parts with an Alpha notation(s) are used only in those option variations. A blank indicates that the part is used on all option variations.

**Ref Fig No.** - A cross reference between illustrations. For each Major Assembly, the number in this column denotes the figure of the next higher assembly. For all subassemblies, the number in this column denotes the figure showing additional detailed breakdown.

**PART NUMBER/PART DESCRIPTION SORT SECTION**

Parts are sorted both numerically and alphabetically by description, referenced to a location within the IPB, by figure number and item number.

**REVISION HISTORY**

REVISION HISTORY			DATE	OTHER IPB MANUALS REFERENCED
PRINTING	ECO LEVEL			
2nd Printing	210QF 70-25775	00000-00001 00002-00007	28-MAR-91	EK-BA213-IP EK-H9644-IP EK-0RA90-IP

Digital Equipment Corporation reserves the right, without notice, to make substitutions and modifications in the specifications of products documented in this manual and further reserves the right to withdraw any of these products from the market without notice.

Digital Equipment Corporation is not responsible for errors which may appear in the technical description (including illustrations and photographs) of the products covered by this manual.

None of the descriptions contained in this manual imply the granting of any license whatsoever to make, use or sell equipment constructed in accordance therewith.

Copyright © 1989, 1991 by Digital Equipment Corporation. All rights reserved.

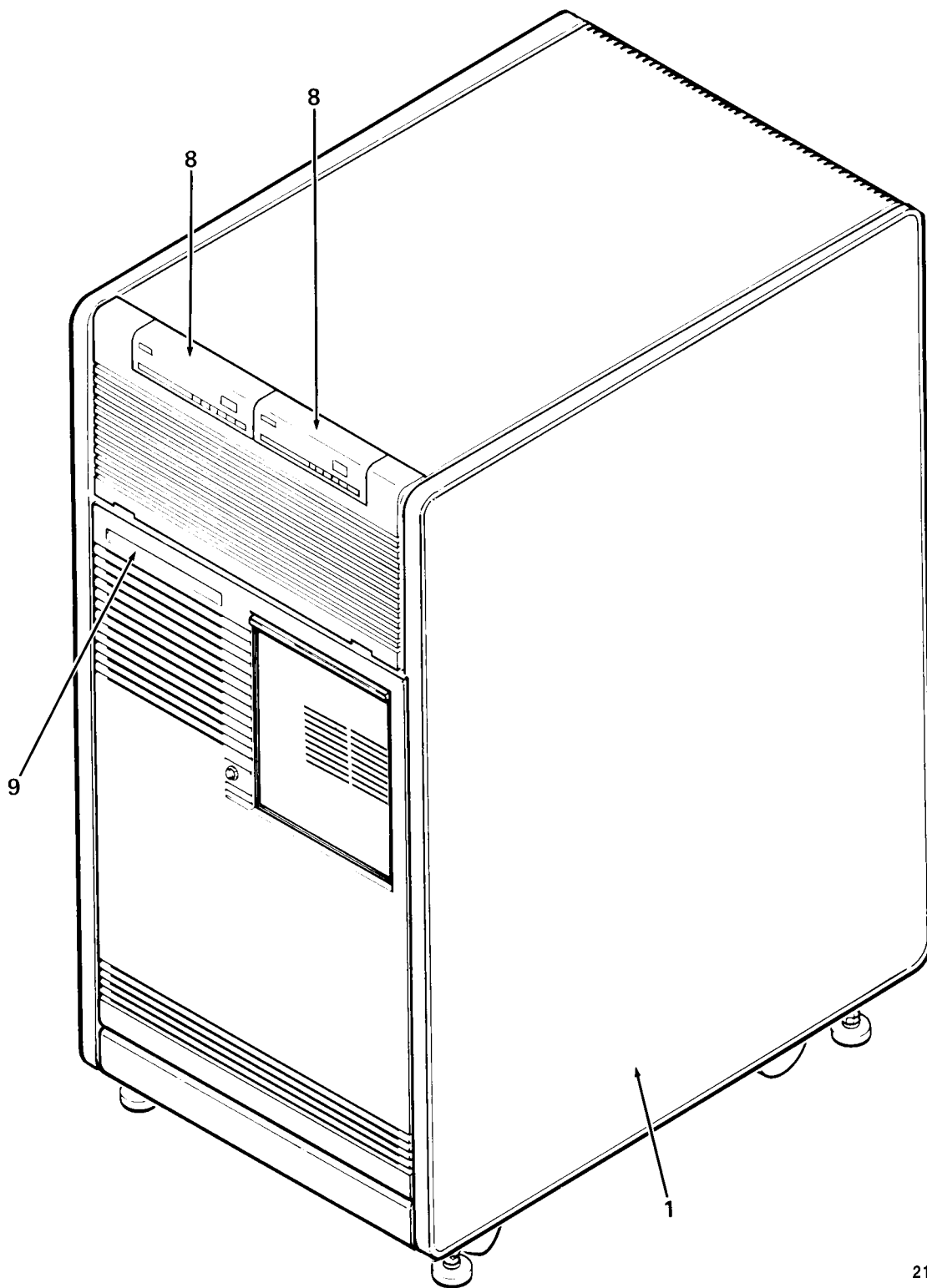
The postage-paid READER'S COMMENTS form on the last page of this document requests your critical evaluation to assist us in preparing future documentation.

Printed in U.S.A.

The following are trademarks of Digital Equipment Corporation :

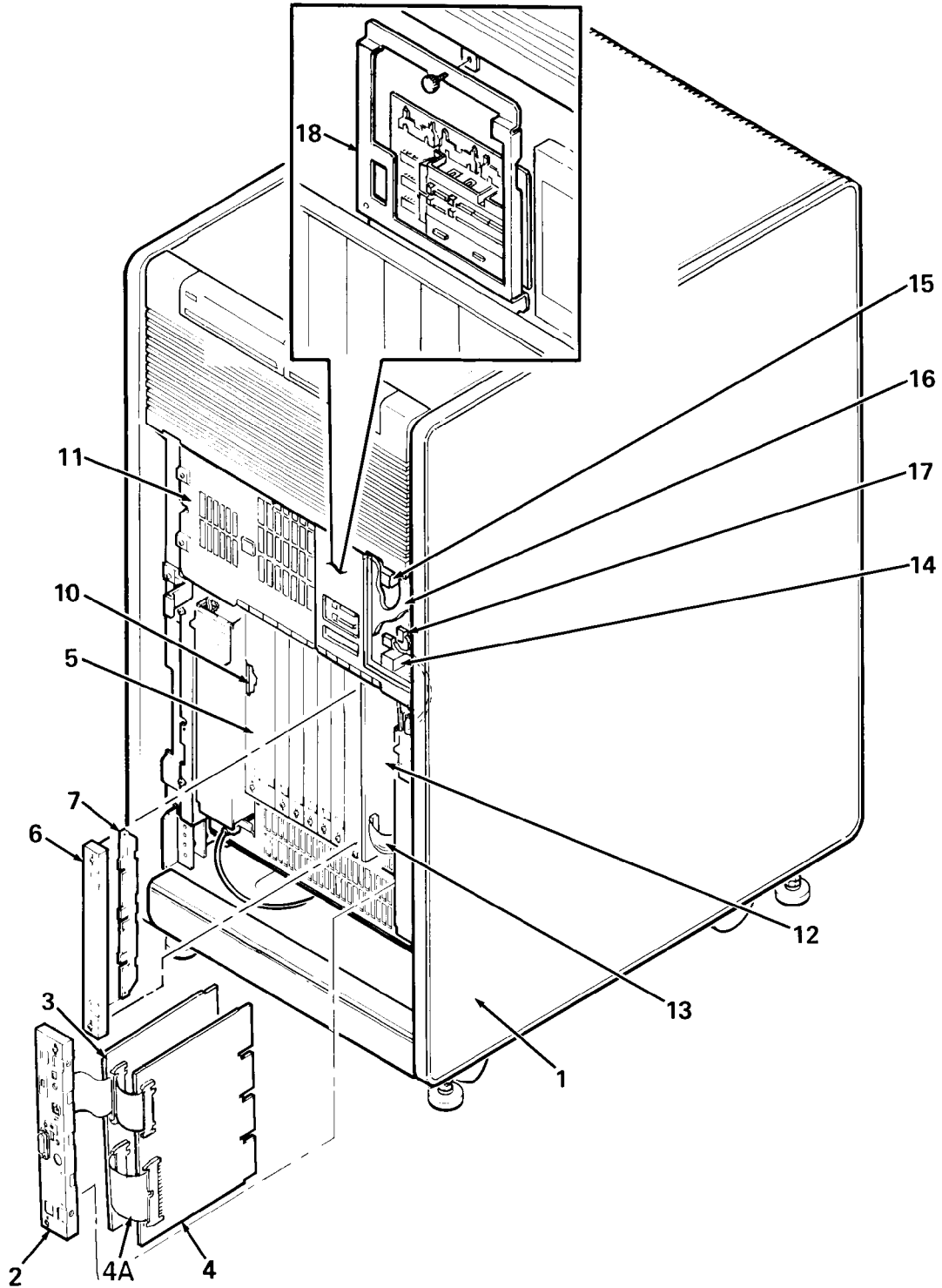
---

BA213, DEC, DECdirect, DECsystem, DECUS, H9644, MicroVAX, RA90, PDP, UNIBUS, VAX, VAXserver, and the DIGITAL logo.



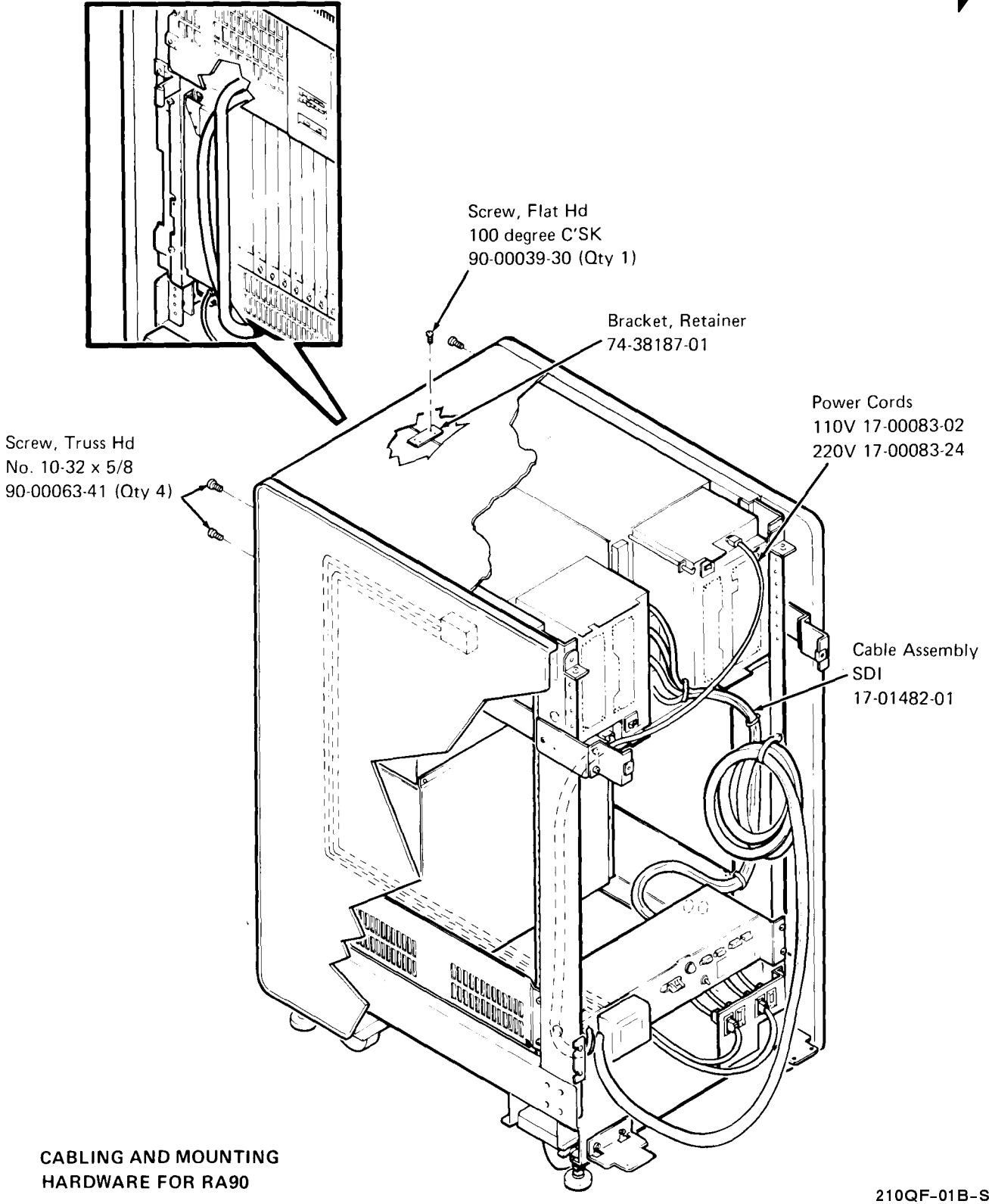
210QF-01-SC

Figure 1. 210QF Cabinet System (Sheet 1 of 3)



210QF-01A-SC

Figure 1. 210QF Cabinet System (Sheet 2 of 3)



CABLING AND MOUNTING  
HARDWARE FOR RA90

210QF-01B-SC

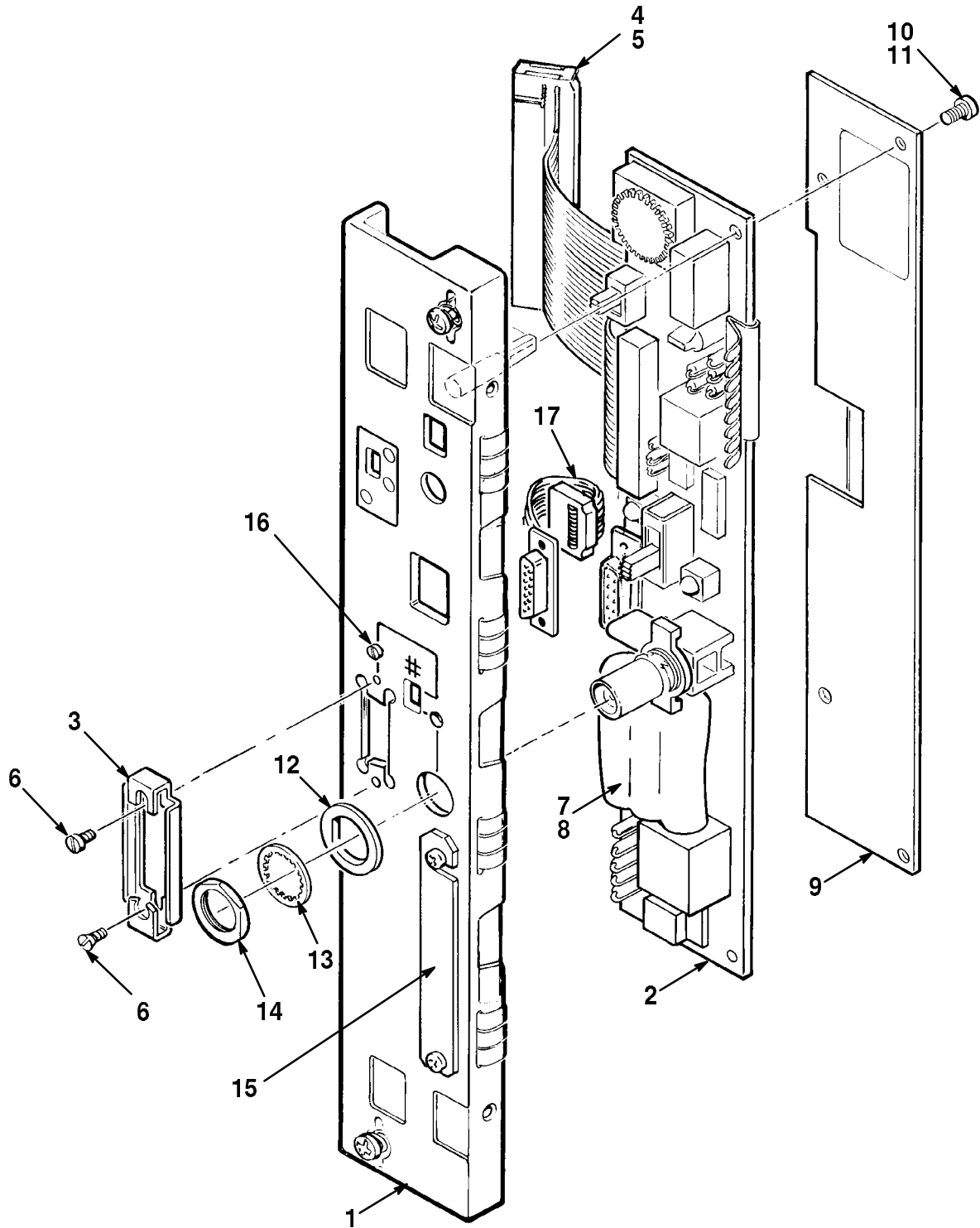
Figure 1. 210QF Cabinet System (Sheet 3 of 3)

FIG. & ITEM NO.	DESCRIPTION	DEC PART NO. <sup>B</sup>	ECO CUT-IN 210QF 00000	USED ON CODE	REF FIG NO.
1-	210QF CABINET SYSTEM				
	Code A - Used on 210QF-A2 120V	210QF-A2		A	
	Code B - Used on 210QF-A3 240V	210QF-A3		B	
1	*Cabinet Assembly, BA213 40 Inch 120V (See IPB Manual EK-H9644-IP)	70-26188-01		A	
	*Cabinet Assembly, BA213 40 Inch 240V (See IPB Manual EK-H9644-IP)	70-26188-02		B	
2	*BULKHEAD ASSEMBLY, H3602 MODULE	70-25775-02			2
3	*Module, KN210 CPU	M7635-AA			
4	*Module, KN210 I/O	M7636-AA			
4A	*Cable Assembly, 50 Cond Flat	17-02418-01			
5	*Bulkhead Assembly, Front Dual	70-23982-02			
6	*Bulkhead Assembly, Front	70-23981-01			
7	*Panel Assembly, Gap Filler	70-24071-01			
8	*Disk Drive Assembly, RA90 (Not Part of this Assembly, See IPB Manual EK-ORA90-IP)	RA90-MA			
9	*Nameplate, DECsystem 5400	74-34425-40			
10	*Module, Load	M9060-YA			
11	*Panel Assembly, Front (Not Part of this Assembly, Shown here for reference only.)	70-24534-01			
	*Panel Assembly, Front (Not Shown) (Used on Tapeless System)	70-23995-04			
12	*Module, 16 MB RAM Memory	M7622-AA			
13	*Cable Assembly, 50 Cond 3 Connector	17-01898-01			
	*Cable Assembly, 50 Cond 4 Connector	17-01898-02			
	*Cable Assembly, 50 Cond 4 Connector	17-01898-03			
14	*Mount Assembly, Bottom Shock (Replaces 70-23997-01)	70-25452-03			
15	*Mount Assembly, Top Shock (Replaces 70-23997-02)	70-25452-04			
16	*Filler, Tape Drive	74-36425-01			
17	*Harness Assembly (Right)	17-01362-01			
	*Harness Assembly (Left) (Not Shown)	17-01362-02			
18	*OCP Assembly (Not Part of this Assembly, Shown here for reference only.)	70-24538-01			
	FIELD REPLACEABLE UNITS (Not Shown, Listed For Reference Only) (See IPB Manual EK-BA213-IP)				
	*Backplane Assembly	70-23712-01			
	*Fan Assembly	12-23609-04			
	*Filter Assembly, AC Input	70-23769-01			

FIG. & ITEM NO.	DESCRIPTION	DEC PART NO. <sup>B</sup>	ECO CUT-IN 210QF 00000	USED ON CODE	REF FIG NO.
1-	<p align="center">FIELD REPLACEABLE UNITS (Not Shown) (Continued)</p> <p>*Power Supply Assembly 100/120V *Power Supply Assembly 220/240V *Switch Assembly, AC *Harness Assembly, Power Supply *Bracket, RA70 Top Drive *Bracket, RA70 Bottom Drive *Mount Assembly, RA70 Top Shock *Mount Assembly, RA70 Bottom Shock *Bracket, TKXX Top Drive *Bracket, TKXX Bottom Drive</p> <p>*KIT, ACCESSORY **Cable Assembly, 06 Cond Molded Oval **Key, Plastic **Connector, Adaptor (25 Pos) **Screwdriver, Flat Blade **Wrench, Allen Hex **Tee, BNC Coaxial **Connector, BNC Coaxial **Label, "S-Box Module Utilization" **Label, "BA2XX Rev" (Sheeted)</p> <p>*KIT, ACCESSORY **Cable Assembly, 06 Cond Molded Shielded **Key, Plastic **Connector, Adaptor (25 Pos) **Screwdriver, Flat Blade **Wrench, Allen Hex **Tee, BNC Coaxial **Connector, BNC Coaxial **Label, "S-Box Module Utilization" **Label, "BA2XX Rev" (Sheeted)</p> <p>*KIT, Q-BUS GRANTCONTINUITY **Card, Q-Bus Grant Continuity **Panel, Blank Dual **Kit, Bulkhead Panel **Kit, Bulkhead Panel **Label, "Module Number"</p>	<p>H7868-A H7868-B 70-23999-01 70-23366-01 70-24559-01 70-24559-02 70-23997-05 70-23997-06 74-33573-01 74-33573-02</p> <p>70-27403-01 17-00811-03 12-17119-01 12-23599-01 47-00042-00 47-00045-00 12-25869-01 12-26318-01 36-27923-01 36-29164-07</p> <p>70-27403-02 17-01364-02 12-17119-01 12-23599-01 47-00042-00 47-00045-00 12-25869-01 12-26318-01 36-27923-01 36-29164-07</p> <p>M9047-SA M9047-00 74-33507-01 70-24505-01 70-24505-02 36-26883-18</p>		<p>A B</p> <p>A</p> <p>B</p>	



FIG. & ITEM NO.	DESCRIPTION	DEC PART NO. <sup>B</sup>	ECO CUT-IN 210QF 00000	USED ON CODE	REF FIG NO.
1-	<p>LABELS (Not Shown)</p> <p>*Label, "Module Number M7635-AA"</p> <p>*Label, "Module Number M9060-YA"</p> <p>*Label, "Module Number M7636-AA"</p> <p>*Label, "Module Number M7622-A"</p> <p>*Label, "Caution S-Box Shipping"</p> <p>*Label, "Postcard FTZ H9644 Series"</p> <p>*Label, "BA2XX Rev"</p> <p>*Label, "Module Number M9047-00"</p> <p>*Label, "Cabinet, USA, 100V"</p> <p>*Label, "Cabinet, USA, 220V"</p> <p>*Label, "Cabinet, UK, 100V"</p> <p>*Label, "Cabinet, UK, 220V"</p> <p>*Label, "Pedestal, USA, 110V"</p> <p>*Label, "Pedestal, USA, 220V"</p> <p>*Label, "Pedestal, UK, 110V"</p> <p>*Label, "Pedestal, UK, 220V"</p> <p>*Label, "Telecom Approval, Japan" (added)</p>	<p>36-26883-91</p> <p>36-26883-17</p> <p>36-26883-92</p> <p>36-26883-43</p> <p>36-27924-01</p> <p>36-30422-31</p> <p>36-29163-07</p> <p>36-26883-18</p> <p>36-27838-17</p> <p>36-27838-18</p> <p>36-27838-19</p> <p>36-27838-20</p> <p>36-27838-31</p> <p>36-27838-28</p> <p>36-27838-30</p> <p>36-27838-29</p> <p>36-33180-11</p>	<p></p> <p></p> <p></p> <p></p> <p></p> <p></p> <p></p> <p></p> <p></p> <p></p> <p></p> <p></p> <p></p> <p></p> <p></p> <p></p> <p>00001</p>	<p></p> <p></p> <p></p> <p></p> <p></p> <p></p> <p></p> <p></p> <p>A</p> <p>B</p> <p>A</p> <p>B</p> <p>A</p> <p>B</p> <p>A</p> <p>B</p> <p>A</p> <p>B</p> <p>A</p>	<p></p> <p></p> <p></p> <p></p> <p></p> <p></p> <p></p> <p></p> <p></p> <p></p> <p></p> <p></p> <p></p> <p></p> <p></p> <p></p> <p></p>



210QF-02-SC

Figure 2. Module Assembly, H3602 Bulkhead

FIG. & ITEM NO.	DESCRIPTION	DEC PART NO.	ECO CUT-IN 70-25775 00002	USED ON CODE	REF FIG NO.
2-	MODULE ASSEMBLY, H3602 BULKHEAD	70-25775-02			1
1	*Bulkhead Assembly, Front Dual (Replaces 70-23982-09)	70-23982-14	00004		
2	*Module, SLU Console (Replaces 54-17381-01)	54-17381-03	00004		
3	*Latch Assembly, 15 Pin, Slide w/o Hardware	12-18489-03			
4	*Cable Assembly, 40 Cond Flat	17-02430-01			
5	*Tape, Foam (deleted)	90-08228-00	00006		
6	*Latch Assembly, 2 Piece Slide w/Hardware (added)	12-18489-04	00006		
7	*Battery, 3 Cell, 3.75V	12-19245-01			
8	*Tape, Velcro	12-26595-02			
9	*Insulator, Shield (Replaces 74-37167-01)	74-37167-02	00004		
10	*Washer, Internal Tooth Lock No. 10 (deleted)	90-06635-00	00006		
11	*Screw, Truss Hd No. 6-32 x 5/16 (replaces 90-08404-02)	90-00063-78	00006		
12	*Bushing, Mylar (deleted)	12-20575-01	00007		
13	*Washer, BNC Internal Tooth Lock	90-00037-05			
14	*Nut, Hex No. 1/2-28	90-10563-01			
15	*Carrier, Label (deleted)	74-34429-01	00006		
16	*Screw, Thd RI No. 4-40 x 5/16	90-00063-02			
17	*Cable Assembly, 50 Cond Flat Ribbon (deleted)	17-02130-01	00007		
	LABELS (Not Shown)				
	*Label, "Baud Select"	36-26584-01			
	*Label, "Debet Ethernet Address" (deleted)	36-25542-02	00006		
	*Label, "Direct Thermal" (deleted)	36-28231-08	00006		

Ω

# **PART NUMBER/DESCRIPTION INDEX**

**INDEX BY DEC PART NUMBER**  
**210QF CABINET SYSTEM**

PART NO.	DESCRIPTION	FIG NO.	ITEM NO.
12-17119-01	Key, Plastic	1	Not Shown
12-18489-03	Latch Assembly, 15 Pin, Slide w/o Hardware	2	3
12-18489-04	Latch Assembly, 2 Piece Slide w/Hardware	2	6(added)
12-19245-01	Battery, 3 Cell, 3.75V	2	7
12-20575-01	Bushing, Mylar (deleted)	2	12
12-23599-01	Connector, Adaptor (25 Pos)	1	Not Shown
12-23609-04	Fan Assembly	1	Not Shown
12-25869-01	Tee, BNC Coaxial	1	Not Shown
12-26318-01	Connector, BNC Coaxial	1	Not Shown
12-26595-02	Tape, Velcro	2	8
17-00811-03	Cable Assembly, 06 Cond Molded Oval	1	Not Shown
17-01362-01	Harness Assembly (Right)	1	17
17-01362-02	Harness Assembly (Left) (Not Shown)	1	17
17-01364-02	Cable Assembly, 06 Cond Molded Shielded	1	Not Shown
17-01898-01	Cable Assembly, 50 Cond 3 Connector	1	13
17-01898-02	Cable Assembly, 50 Cond 4 Connector	1	13
17-01898-03	Cable Assembly, 50 Cond 4 Connector	1	13
17-02130-01	Cable Assembly, 50 Cond Flat Ribbon (deleted)	2	17
17-02418-01	Cable Assembly, 50 Cond Flat	1	4A
17-02430-01	Cable Assembly, 40 Cond Flat	2	4
36-25542-02	Label, "Debet Ethernet Address" (deleted)	2	Not Shown
36-26584-01	Label, "Baud Select"	2	Not Shown
36-26883-17	Label, "Module Number M9060-YA"	1	Not Shown
36-26883-18	Label, "Module Number M9047-00"	1	Not Shown
36-26883-18	Label, "Module Number"	1	Not Shown
36-26883-43	Label, "Module Number M7622-A"	1	Not Shown
36-26883-91	Label, "Module Number M7635-AA"	1	Not Shown
36-26883-92	Label, "Module Number M7636-AA"	1	Not Shown
36-27838-17	Label, "Cabinet, USA, 100V"	1	Not Shown
36-27838-18	Label, "Cabinet, USA, 220V"	1	Not Shown
36-27838-19	Label, "Cabinet, UK, 100V"	1	Not Shown
36-27838-20	Label, "Cabinet, UK, 220V"	1	Not Shown
36-27838-28	Label, "Pedestal, USA, 220V"	1	Not Shown
36-27838-29	Label, "Pedestal, UK, 220V"	1	Not Shown
36-27838-30	Label, "Pedestal, UK, 110V"	1	Not Shown
36-27838-31	Label, "Pedestal, USA, 110V"	1	Not Shown
36-27923-01	Label, "S-Box Module Utilization"	1	Not Shown
36-27924-01	Label, "Caution S-Box Shipping"	1	Not Shown
36-28231-08	Label, "Direct Thermal" (deleted)	2	Not Shown
36-29163-07	Label, "BA2XX Rev"	1	Not Shown
36-29164-07	Label, "BA2XX Rev" (Sheeted)	1	Not Shown
36-30422-31	Label, "Postcard FTZ H9644 Series"	1	Not Shown
36-33180-11	Label, "Telecom Approval, Japan" (added)	1	Not Shown
47-00042-00	Screwdriver, Flat Blade	1	Not Shown
47-00045-00	Wrench, Allen Hex	1	Not Shown
54-17381-03	Module, SLU Console (Replaces 54-17381-01)	2	2
70-23366-01	Harness Assembly, Power Supply	1	Not Shown
70-23712-01	Backplane Assembly	1	Not Shown
70-23769-01	Filter Assembly, AC Input	1	Not Shown
70-23981-01	Bulkhead Assembly, Front	1	6
70-23982-02	Bulkhead Assembly, Front Dual	1	5

**INDEX BY DEC PART NUMBER**  
**210QF CABINET SYSTEM**

PART NO.	DESCRIPTION	FIG NO.	ITEM NO.
70-23982-14	Bulkhead Assembly, Front Dual(Replaces 70-23982-09)	1	1
70-23995-04	Panel Assembly, Front (Not Shown)	1	11
70-23997-05	Mount Assembly, RA70 Top Shock	1	Not Shown
70-23997-06	Mount Assembly, RA70 Bottom Shock	1	Not Shown
70-23999-01	Switch Assembly, AC	1	Not Shown
70-24071-01	Panel Assembly, Gap Filler	1	7
70-24505-01	Kit, Bulkhead Panel	1	Not Shown
70-24505-02	Kit, Bulkhead Panel	1	Not Shown
70-24534-01	Panel Assembly, Front	1	11
70-24538-01	OCP Assembly	1	18
70-24559-01	Bracket, RA70 Top Drive	1	Not Shown
70-24559-02	Bracket, RA70 Bottom Drive	1	Not Shown
70-25452-03	Mount Assembly, Bottom Shock (Replaces 70-23997-01)	1	14
70-25452-04	Mount Assembly, Top Shock (Replaces 70-23997-02)	1	15
70-25775-02	MODULE ASSEMBLY, H3602 BULKHEAD	2	N/A
70-25775-02	BULKHEAD ASSEMBLY, H3602 MODULE	1	2
70-26188-01	Cabinet Assembly, BA213 40 Inch 120V	1	1
70-26188-02	Cabinet Assembly, BA213 40 Inch 240V	1	1
70-27403-01	KIT, ACCESSORY	1	Not Shown
70-27403-02	KIT, ACCESSORY	1	Not Shown
74-33507-01	Panel, Blank Dual	1	Not Shown
74-33573-01	Bracket, TKXX Top Drive	1	Not Shown
74-33573-02	Bracket, TKXX Bottom Drive	1	Not Shown
74-34425-40	Nameplate, DECsystem 5400	1	9
74-34429-01	Carrier, Label (deleted)	2	15
74-36425-01	Filler, Tape Drive	1	16
74-37167-02	Insulator, Shield (Replaces 74-37167-01)	2	9
90-00037-05	Washer, BNC Internal Tooth Lock	2	13
90-00063-02	Screw, Thd RI No. 4-40 x 5/16	2	16
90-00063-78	Screw, Truss Hd No. 6-32 x 5/16 (Replaces 90-08404-02)	2	11
90-06635-00	Washer, Internal Tooth Lock No. 10 (deleted)	2	10
90-08228-00	Tape, Foam	2	5
90-10563-01	Nut, Hex No. 1/2-28	2	14
210QF-A2	210QF-A2 120V	1	N/A
210QF-A3	210QF-A3 240V	1	N/A
H7868-A	Power Supply Assembly 100/120V	1	Not Shown
H7868-B	Power Supply Assembly 220/240V	1	Not Shown
M7622-AA	Module, 16 MB RAM Memory	1	12
M7635-AA	Module, KN210 CPU	1	3
M7636-AA	Module, KN210 I/O	1	4
M9047-00	Card, Q-Bus Grant Continuity	1	Not Shown
M9047-SA	KIT, Q-BUS GRANT CONTINUITY	1	Not Shown
M9060-YA	Module, Load	1	10
N/A	210QF CABINET SYSTEM	1	N/A
RA90-MA	Disk Drive Assembly, RA90	1	8

**INDEX BY DEC PART DESCRIPTION**  
**210QF CABINET SYSTEM**

DESCRIPTION	DEC PART NO.	FIG. NO.	ITEM NO.
210QF CABINET SYSTEM	N/A	1	N/A
210QF-A2 120V	210QF-A2	1	N/A
210QF-A3 240V	210QF-A3	1	N/A
Backplane Assembly	70-23712-01	1	Not Shown
Battery, 3 Cell, 3.75V	12-19245-01	2	7
Bracket, RA70 Bottom Drive	70-24559-02	1	Not Shown
Bracket, RA70 Top Drive	70-24559-01	1	Not Shown
Bracket, TKXX Bottom Drive	74-33573-02	1	Not Shown
Bracket, TKXX Top Drive	74-33573-01	1	Not Shown
Bulkhead Assembly, Front	70-23981-01	1	6
Bulkhead Assembly, Front Dual	70-23982-02	1	5
Bulkhead Assembly, Front Dual (Replaces 70-23982-09)	70-23982-14	2	1
BULKHEAD ASSEMBLY, H3602 MODULE	70-25775-02	1	2
Bushing, Mylar (deleted)	12-20575-01	2	12
Cabinet Assembly, BA213 40 Inch 120V	70-26188-01	1	1
Cabinet Assembly, BA213 40 Inch 240V	70-26188-02	1	1
Cable Assembly, 06 Cond Molded Oval	17-00811-03	1	Not Shown
Cable Assembly, 06 Cond Molded Shielded	17-01364-02	1	Not Shown
Cable Assembly, 40 Cond Flat	17-02430-01	2	4
Cable Assembly, 50 Cond 3 Connector	17-01898-01	1	13
Cable Assembly, 50 Cond 4 Connector	17-01898-02	1	13
Cable Assembly, 50 Cond 4 Connector	17-01898-03	1	13
Cable Assembly, 50 Cond Flat	17-02418-01	1	4A
Cable Assembly, 50 Cond Flat Ribbon (deleted)	17-02130-01	2	17
Card, Q-Bus Grant Continuity	M9047-00	1	Not Shown
Carrier, Label (deleted)	74-34429-01	2	15
Connector, Adaptor (25 Pos)	12-23599-01	1	Not Shown
Connector, BNC Coaxial	12-26318-01	1	Not Shown
Disk Drive Assembly, RA90	RA90-MA	1	8
Fan Assembly	12-23609-04	1	Not Shown
Filler, Tape Drive	74-36425-01	1	16
Filter Assembly, AC Input	70-23769-01	1	Not Shown
Harness Assembly (Left) (Not Shown)	17-01362-02	1	17
Harness Assembly (Right)	17-01362-01	1	17
Harness Assembly, Power Supply	70-23366-01	1	Not Shown
Insulator, Shield (Replaces 74-37167-01)	74-37167-02	2	9
Key, Plastic	12-17119-01	1	Not Shown
KIT, ACCESSORY	70-27403-01	1	Not Shown
KIT, ACCESSORY	70-27403-02	1	Not Shown
Kit, Bulkhead Panel	70-24505-02	1	Not Shown
Kit, Bulkhead Panel	70-24505-01	1	Not Shown
KIT, Q-BUS GRANT CONTINUITY	M9047-SA	1	Not Shown
Label, "BA2XX Rev"	36-29163-07	1	Not Shown
Label, "BA2XX Rev" (Sheeted)	36-29164-07	1	Not Shown
Label, "Baud Select"	36-26584-01	2	Not Shown
Label, "Cabinet, UK, 100V"	36-27838-19	1	Not Shown
Label, "Cabinet, UK, 220V"	36-27838-20	1	Not Shown

**INDEX BY DEC PART DESCRIPTION**  
**640QS PEDESTAL SYSTEM**

DESCRIPTION	DEC PART NO.	FIG. NO.	ITEM NO.
Label, "Cabinet, USA, 100V"	36-27838-17	1	Not Shown
Label, "Cabinet, USA, 220V"	36-27838-18	1	Not Shown
Label, "Caution S-Box Shipping"	36-27924-01	1	Not Shown
Label, "Debet Ethernet Address" (deleted)	36-25542-02	2	Not Shown
Label, "Direct Thermal" (deleted)	36-28231-08	2	Not Shown
Label, "Module Number M7622-A"	36-26883-43	1	Not Shown
Label, "Module Number M7635-AA"	36-26883-91	1	Not Shown
Label, "Module Number M7636-AA"	36-26883-92	1	Not Shown
Label, "Module Number M9047-00"	36-26883-18	1	Not Shown
Label, "Module Number M9060-YA"	36-26883-17	1	Not Shown
Label, "Module Number"	36-26883-18	1	Not Shown
Label, "Pedestal, UK, 110V"	36-27838-30	1	Not Shown
Label, "Pedestal, UK, 220V"	36-27838-29	1	Not Shown
Label, "Pedestal, USA, 110V"	36-27838-31	1	Not Shown
Label, "Pedestal, USA, 220V"	36-27838-28	1	Not Shown
Label, "Postcard FTZ H9644 Series"	36-30422-31	1	Not Shown
Label, "S-Box Module Utilization"	36-27923-01	1	Not Shown
Label, "Telecom Approval, Japan" (added)	36-33180-11	1	Not Shown
Latch Assembly, 15 Pin, Slide w/o Hardware	12-18489-03	2	3
Latch Assembly, 2 Piece Slide w/Hardware (added)	12-18489-04	2	6
<b>MODULE ASSEMBLY, H3602 BULKHEAD</b>	<b>70-25775-02</b>	<b>2</b>	<b>N/A</b>
Module, 16 MB RAM Memory	M7622-AA	1	12
Module, KN210 CPU	M7635-AA	1	3
Module, KN210 I/O	M7636-AA	1	4
Module, Load	M9060-YA	1	10
Module, SLU Console (Replaces 54017381-01)	54-17381-03	2	2
Mount Assembly, Bottom Shock (Replaces 70-23997-01)	70-25452-03	1	14
Mount Assembly, RA70 Bottom Shock	70-23997-06	1	Not Shown
Mount Assembly, RA70 Top Shock	70-23997-05	1	Not Shown
Mount Assembly, Top Shock (Replaces 70-23997-02)	70-25452-04	1	15
Nameplate, DECsystem 5400	74-34425-40	1	9
Nut, Hex No. 1/2-28	90-10563-01	2	14
OCP Assembly	70-24538-01	1	18
Panel Assembly, Front	70-24534-01	1	11
Panel Assembly, Front (Not Shown)	70-23995-04	1	11
Panel Assembly, Gap Filler	70-24071-01	1	7
Panel, Blank Dual	74-33507-01	1	Not Shown
Power Supply Assembly 100/120V	H7868-A	1	Not Shown
Power Supply Assembly 220/240V	H7868-B	1	Not Shown
Screw, Thd RI No. 4-40 x 5/16	90-00063-02	2	16
Screw, Truss Hd No. 6-32 x 5/16 (Replaces 90-08404-02)	90-00063-78	2	11
Screwdriver, Flat Blade	47-00042-00	1	Not Shown
Switch Assembly, AC	70-23999-01	1	Not Shown
Tape, Foam	90-08228-00	2	5
Tape, Velcro	12-26595-02	2	8
Tee, BNC Coaxial	12-25869-01	1	Not Shown
Washer, BNC Internal Tooth Lock	90-00037-05	2	13
Washer, Internal Tooth Lock No. 10 (deleted)	90-06635-00	2	10
Wrench, Allen Hex	47-00045-00	1	Not Shown



# READER'S COMMENTS

210QF Cabinet System™  
Illustrated Parts Breakdown  
EK-210QF-IP-002

## 1. How did you use this manual? (Circle your response.)

- (a) Installation                      (c) Maintenance                      (e) Training  
(b) Operation/Use                      (d) Programming                      (f) Other (Please specify) \_\_\_\_\_

## 2. Did the manual meet your needs? Yes No Why? \_\_\_\_\_

## 3. Please rate the manual on the following categories. (Circle your response.)

	Excellent	Good	Fair	Poor	Unacceptable
Accuracy	5	4	3	2	1
Clarity	5	4	3	2	1
Completeness	5	4	3	2	1
Illustrations, examples	5	4	3	2	1
Overall ease of use	5	4	3	2	1
Table of Content, Index	5	4	3	2	1

## 4. What things did you like *most* about this manual? \_\_\_\_\_

## 5. What things did you like *least* about this manual? \_\_\_\_\_

## 6. Please list and describe any errors you found in the manual.

Page	Description/Location of Error
_____	_____
_____	_____
_____	_____
_____	_____

## 7. Which of the following most clearly describes your job ? (Circle your response.)

- (a) Administrative Support                      (e) System Manager                      (i) Education/Trainer  
(b) Manager/Supervisor                      (f) Computer Operator                      (j) Sales/Marketing  
(c) Scientist/Engineer                      (g) Software Support                      (k) Other (Please specify) \_\_\_\_\_  
(d) Programmer/Analyst                      (h) Hardware Support

### OPTIONAL INFORMATION

Name \_\_\_\_\_ Job Title \_\_\_\_\_  
Street \_\_\_\_\_ Company \_\_\_\_\_  
City \_\_\_\_\_ Department \_\_\_\_\_  
State/Country \_\_\_\_\_ Telephone Number \_\_\_\_\_  
Postal (ZIP) Code \_\_\_\_\_ Date \_\_\_\_\_

**THANK YOU FOR YOUR COMMENTS AND SUGGESTIONS.**

Please do not use this form to order manuals. Contact your representative at Digital Equipment Corporation or (in the USA) call our DECdirect™ department at this toll-free number : 800-258-1710