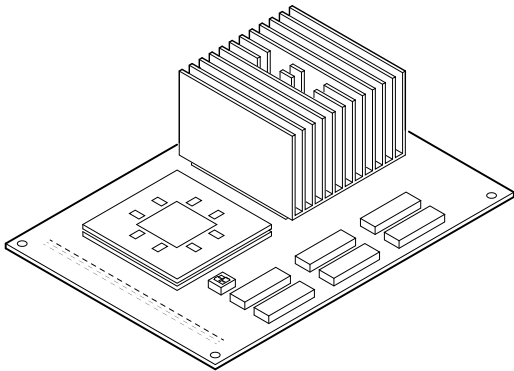


DECstation 5000 Model 150



R4000 Series CPU Upgrade

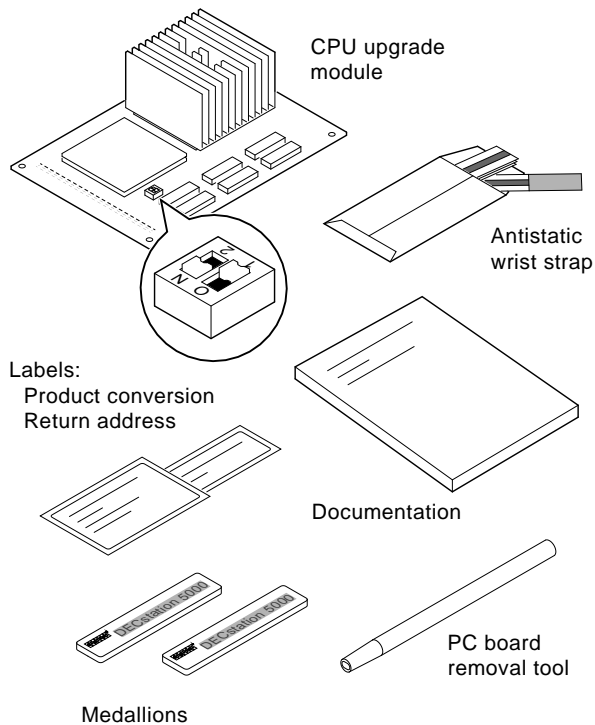


Part Number: EK-4MMIN-UP.A01

Check the Shipment Contents

If you are missing any of the components shown below, contact your Digital sales representative.

Make sure the switch packet on the CPU is set as shown here. (Switch 1 in the off position, and Switch 2 in the on position.)



Note: Save all the packaging; you will need it for returning your R3000 CPU.

Check the System Software

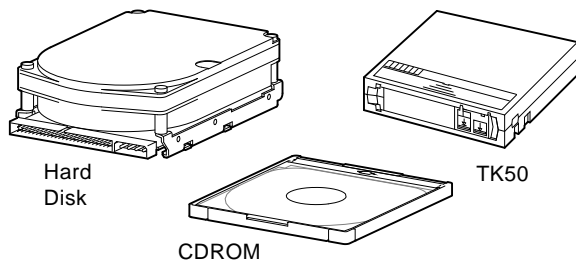
IMPORTANT

Versions of ULTRIX and UWS earlier than 4.3A do not support the R4000 series CPU upgrade.

Enter this command to see which version of software is on your system:

```
>> more /etc/motd
```

If you do not have ULTRIX and UWS Version 4.3A or later, you must upgrade your software before you continue.



See the *Guide to Installing ULTRIX* for information on upgrading your system software.

After you successfully boot your software, begin the CPU upgrade instructions that follow.

Shut Down the System Software

Follow these instructions to shut down your system software (ULTRIX and UWS Version 4.3A or later):

1. Enter this command at the superuser prompt (#) to shut down the software:

```
# /etc/shutdown -h now
```

2. If you have just installed a new version of software, enter the `printenv` command at the console prompt to show the location of your software, for example:

```
>>printenv  
  
3/rz0/vmunix -a  
.  
.  
.
```

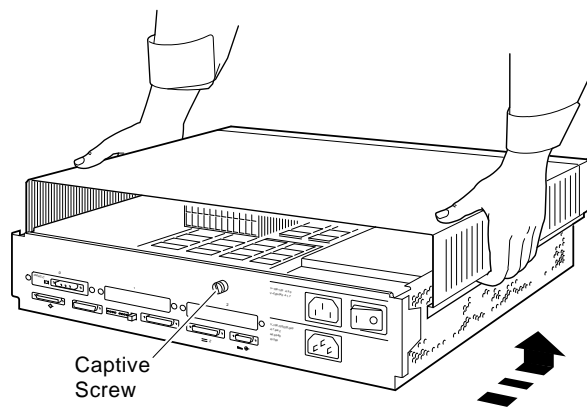
In this example the software is located on a hard disk that is set to SCSI ID 0. Slot 3 is the location of the disk drive.

You will need this information to boot your software after you complete the upgrade.

Record the display here:

Remove the System Unit Cover

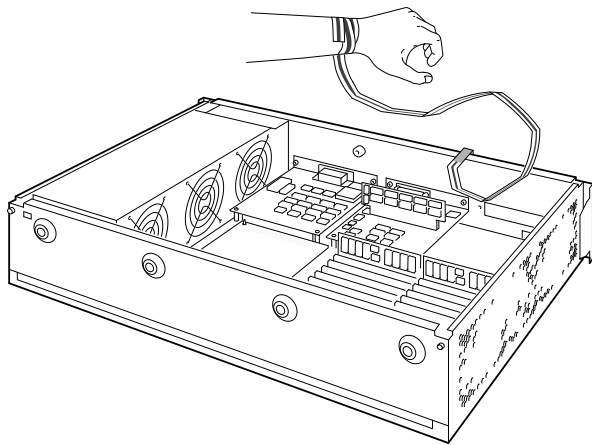
1. Turn off your system unit and any expansion boxes. Keep the system plugged in (grounded) to the wall outlet.
2. Unscrew the captive screw on the back of your system unit cover.
3. Slide the cover a few inches towards the front.



4. Lift the cover off and set it aside.

Attach Your Wrist Strap

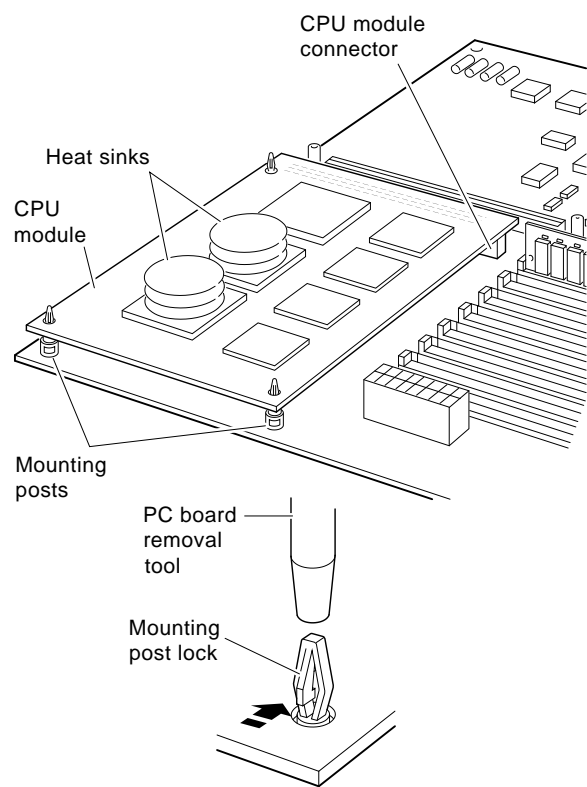
Attach the antistatic strap to your wrist and to the side of the system box to ground it.



Caution: Do not touch anything inside the system unit until you have the antistatic wrist attached. Failure to use the antistatic wrist strap can result in damage to equipment.

Remove the R3000 CPU Module

1. Push the PC board removal tool down over each of the mounting posts to unlock them.
2. Pry the module up with your fingers.

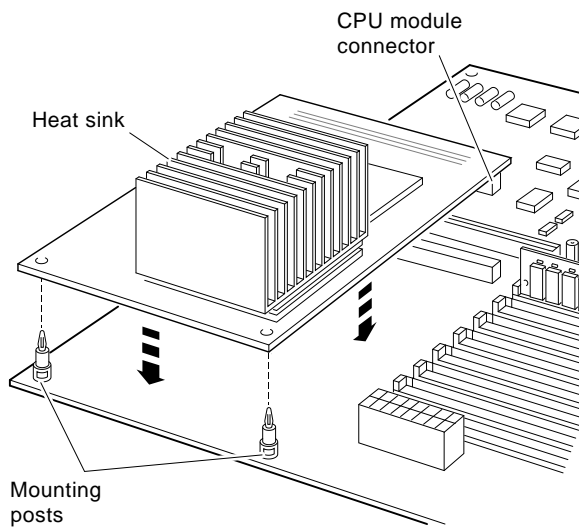


3. Set the R3000 CPU module aside.

Install the R4000 Series CPU

1. Align the board mounting holes over the mounting posts.
2. Push down on the board with your fingers until each mounting post locks and the CPU module connector is seated in the base module connector.

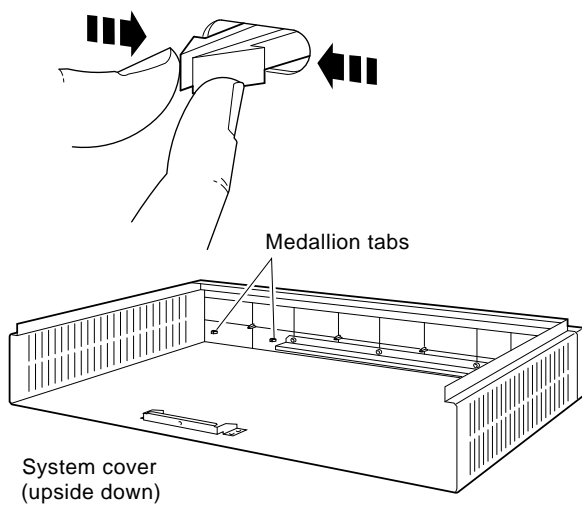
Caution: Do not push on the heat sink.



3. Remove your wrist strap.

Replace the Medallion

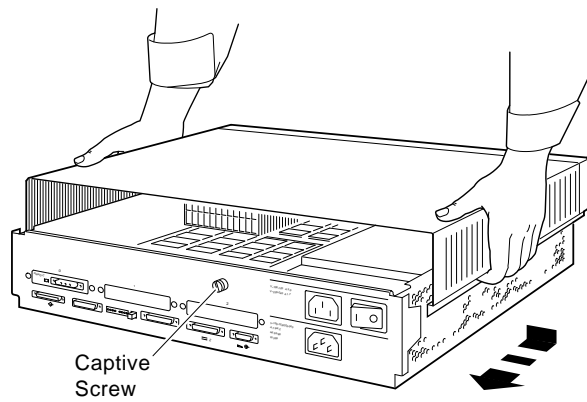
1. Place the system unit cover upside down on a table.
2. Squeeze together the medallion tabs and pop the medallion out.



3. Choose the correct system medallion:
Workstation: DECstation 5000 Model 150
Server: DECsystem 5000 Model 150
4. Snap in the new medallion and turn the cover right side up.

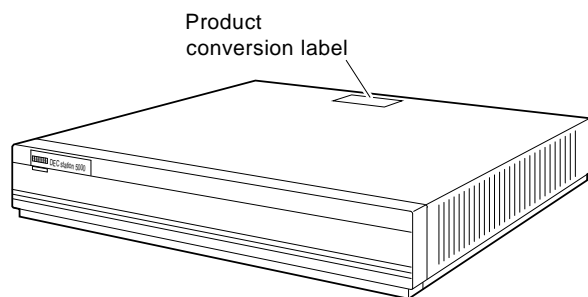
Replace the System Unit Cover

Replace the system unit cover and tighten the captive screw.



Attach Conversion Label

Place the product conversion label on the top of your system unit cover.



Turn Your System On

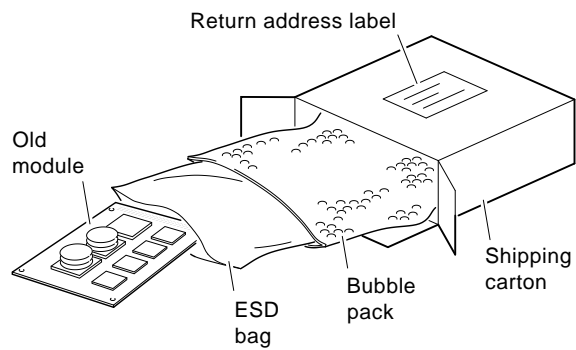
1. Turn on your system unit and all expansion boxes. The system will run startup tests.
2. When the startup tests complete, the console prompt (>>) displays on the screen.
3. Using the information from the `printenv` command display you recorded earlier, reboot the system software as in the following example:

```
>>setenv boot "3/rz0/vmunix -a"  
>>boot
```

In this example the software was rebooted from a hard disk set to SCSI ID 0.

Return R3000 CPU to Digital

1. Put the R3000 CPU module into the upgrade packaging as shown below.
2. Attach the return address label and mail it to Digital Equipment Corporation.



Call your Digital service representative to update your hardware service contract.