

**ILLUSTRATED  
PARTS  
BREAKDOWN**

**VAX 4000  
Models 100A/105A SYSTEMS**

**ILLUSTRATED PARTS BREAKDOWN (IPB)**

The IPB is used to identify a part and its location in a hardware product. The document references specific item numbers in the associated parts list.

**HOW TO USE THE IPB**

1. Locate the figure containing the item of interest.
2. Locate the number (callout) of the item of interest.
3. Locate that item number in the associated parts list.

**FORMAT**

Each IPB is generally organized based on its first figure. All other assemblies and subassemblies are referenced from this figure. Each figure contains numeric callouts of all major parts (items).

**PARTS LIST**

Each parts list contains the following:

**Figure and Item No.** – Lists the figure number and its referenced numeric callout

**Description** – Presents the name and a brief description of the item. A single asterisk (\*) preceding the description denotes item is a

subassembly to its referenced figure. A double asterisk (\*\*) preceding the description indicates that this item is subordinate to the preceding single asterisk item.

**Digital Part No.** – Lists the Digital/Vendor part number. The letter in the column heading indicates the current revision level of the Engineering Drawing for the referenced figure.

**ECO Cut-In** – Lists the top assembly drawing number and revision level at first printing. All additional revisions to an item are listed in this column.

**Used On Code** – Lists letters referring to the product variation assigned in Figure 1. When this column is blank, the item is used in all variations.

**Ref Fig No.** – Lists a cross reference between figures within the IPB.

**PART NUMBER/PART DESCRIPTION INDEX SECTION**

Lists items by part number numerically, and description alphabetically. Items are also referenced to a location within the IPB by figure and item number.

**ECO/REVISION HISTORY**

**OTHER IPB  
MANUALS  
REFERENCED**

FIGURE NO.	ASSEMBLY	INITIAL LEVEL	CURRENT LEVEL	PRINTING DATE	OTHER IPB MANUALS REFERENCED
1	47DBM	00000	00002	18-MAR-94	EK-470AA-IP
2	48DBM	00000	00000		
3	70-27106	00000	00000		
4	70-26167	00000	00001		

Digital Equipment Corporation reserves the right, without notice, to make substitutions and modifications in the specifications of products documented in this manual and further reserves the right to withdraw any of these products from the market without notice.

Digital Equipment Corporation is not responsible for errors which may appear in the technical description (including illustrations and photographs) of the products covered by this manual.

None of the descriptions contained in this manual imply the granting of any license whatsoever to make, use or sell equipment constructed in accordance therewith.

Restricted Rights: Use, duplication or disclosure by the U.S. Government is subject to restrictions as set forth in subparagraph (c) (1) (ii) of the Rights in Technical Data and Computer Software clause at DFARS 252.227-2713.

Copyright © 1993, 1994 by Digital Equipment Corporation. All rights reserved.  
Printed in U.S.A.

The postage-paid READER'S COMMENTS form on the last page of this document requests your critical evaluation to assist us in preparing future documentation.

The following are trademarks of Digital Equipment Corporation :

---

DECdirect, NVAX, ThinWire, VAX and the DIGITAL logo.

**MODEL 100A**

INDICATES FRU LEVEL PARTS.

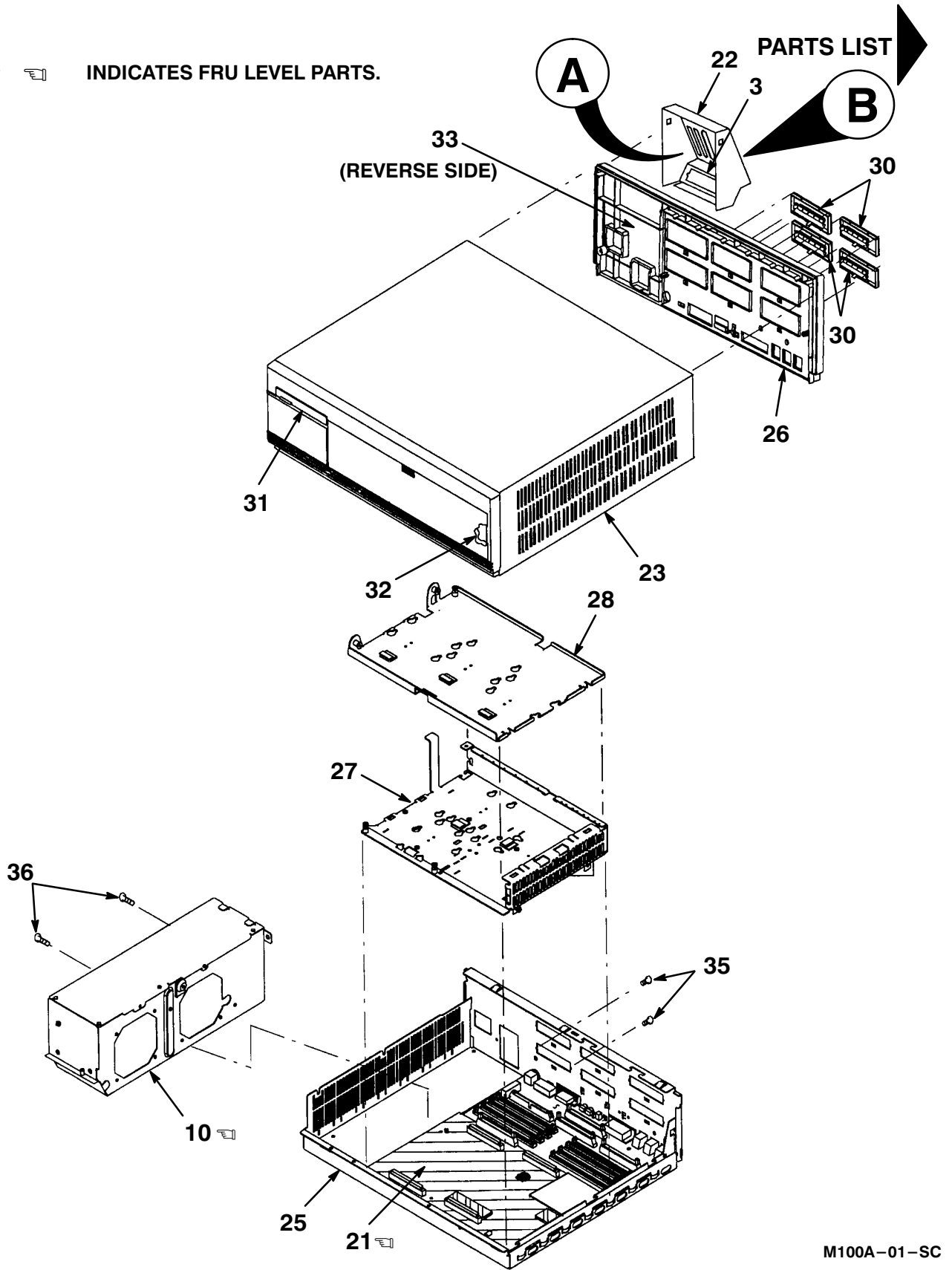


Figure 1. Enclosure, KA52 NVAX CPU BA42B Kernel (System Building Block)  
(Sheet 1 of 3)

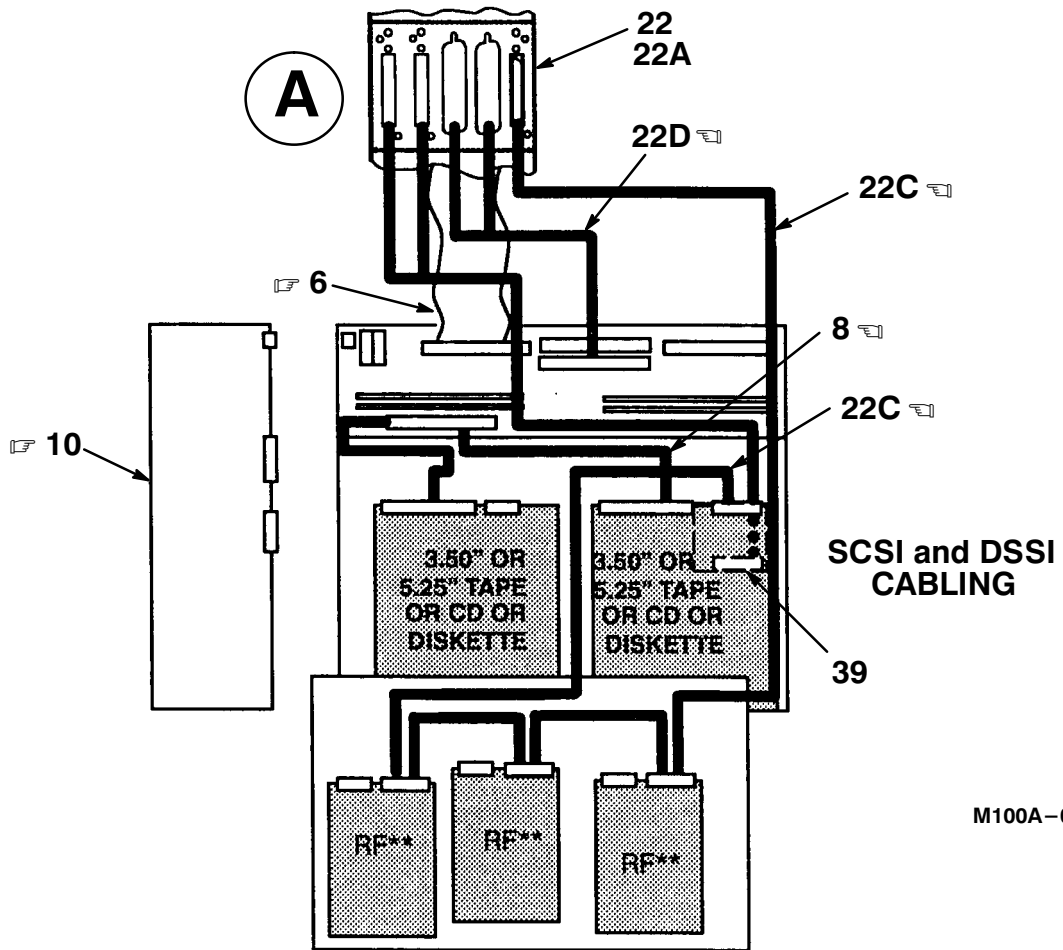
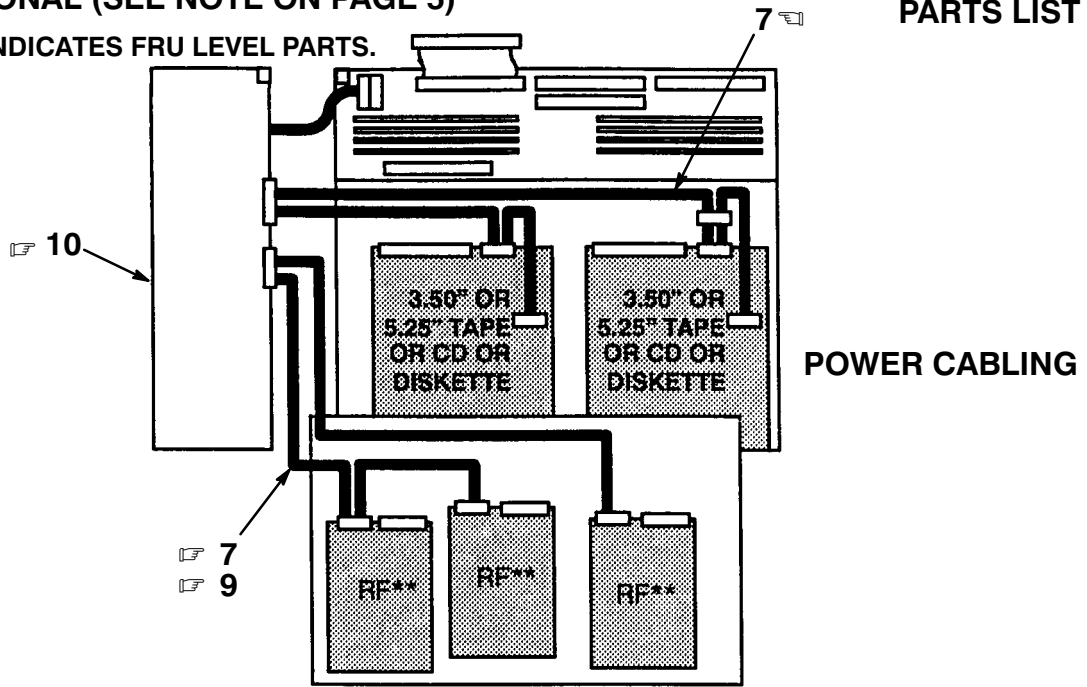


OPTIONAL (SEE NOTE ON PAGE 5)



INDICATES FRU LEVEL PARTS.

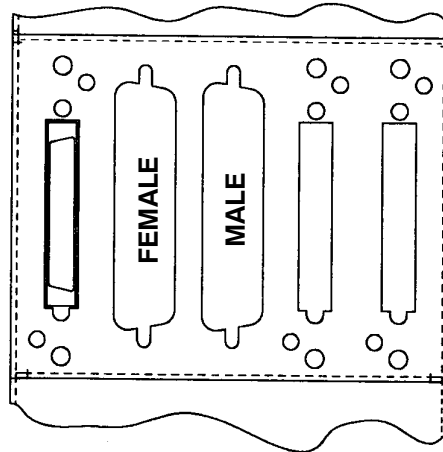
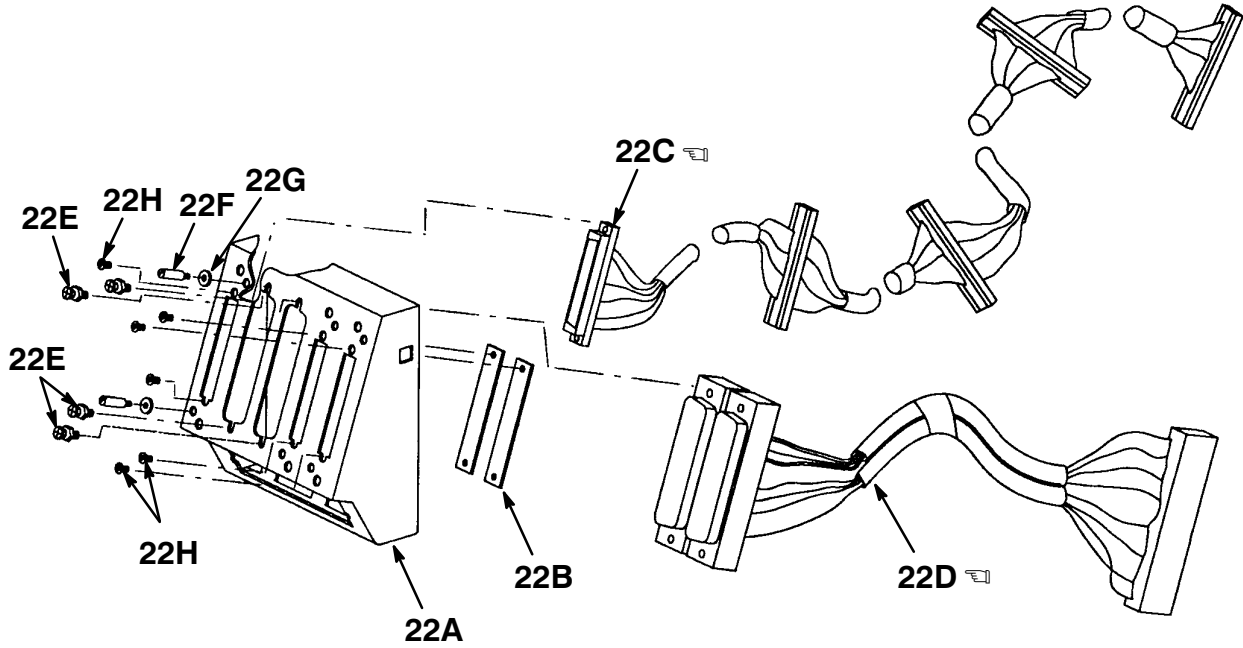
PARTS LIST



M100A-01A-SC

Figure 1. Enclosure, KA52 NVAX CPU BA42B Kernel (System Building Block)  
(Sheet 2 of 3)

INDICATES FRU LEVEL PARTS.



ORIENTATION OF RECEPTACLES

**B**

M100A-01B-SC

Figure 1. Enclosure, KA52 NVAX CPU BA42B Kernel (System Building Block)  
(Sheet 3 of 3)

FIG. & ITEM NO.	DESCRIPTION	DIGITAL PART NO. <sup>c</sup>	ECO CUT-IN 47DBM 00000	USED ON CODE	REF FIG NO.
1-	ENCLOSURE, KA52 NVAX CPU BA42B KERNEL (SYSTEM BUILDING BLOCK)	47DBM-B9			
1	*Cable Assembly, Oval Data, 6 Cond w/MMJ On Each End (Not Shown)	BC16E-25			
2	*Adapter, 25 Pin D-Sub to MMJ (Not Shown)	H8575-A			
3	*Grommet, Caterpillar	12-25469-19			
4	*Connector, SCSI Terminator (Not Shown)	12-30552-01			
5	*Power Cord 125V (Not Shown)	17-00606-02			
☞ 6	*Cable Assembly, Flat 50 Way, SCSI	17-02944-01			
☞ 7	*Cable Assembly, DC Harness	17-03018-01			
☞ 8	*Cable Assembly, Flat 50 Cond	17-03587-01			
☞ 9	*Harness Assembly, Wire, 05 Cond, 22AWG	17-03615-01			
☞ 10	*Power Supply Assembly, 166W, 120/240V	30-35042-01			
11	*Label, "Attention Pre-Installed Software" (Not Shown)	36-28979-01			
12	*Label, "Regulatory VS3X00" (Not Shown)	36-30382-23			
13	*Label, "Regulatory VS3X00" (Not Shown)	36-30382-24			
14	*Label, FTZ Postcard, Series BA42B (Not Shown)	36-30422-10			
15	*Label, "Diagnostic VS42A" (Not Shown)	36-30489-01			
16	*Label, "PTT Regulatory" (Not Shown)	36-36015-02			
17	*Label, "Product ID, BA42-B" (Not Shown)	36-36394-02			
18	*Label, "CE Mark" (Not Shown)	36-36842-01			
19	*Label, "OPA0 Console Port Arrow" (Not Shown)	36-39380-01			
20	*Package Assembly (Not Shown)	37-01106-09			
☞ 21	*MODULE, NVAX CPU, 128 KB Cache, SCSI	54-21797-01			
☞	**Battery, 3 Cell, .18ma Nicad, 3.75V	12-19245-01			
22	*EXPANSION ASSEMBLY, PORT	70-22861-01			
22A	**Cover, Expansion Port	74-46957-01			
22B	**Blank, DSSI	74-46956-01			
☞ 22C	**Cable Assembly, Round, 50 Cond	17-03544-01			
☞ 22D	**Cable Assembly, 100 Cond	17-03545-01			
22E	**Post Assembly, Locking	12-18672-00			
22F	**Pin, Alignment	12-30363-01			
22G	**Washer, Flat	90-08877-00			
22H	**Screw, Mach M2.5, Flat Hd, 8mm	90-10917-01			
23	*COVER ASSEMBLY	70-26167-01			4
24	*Kit, ThickWire/ThinWire Ethernet (Not Shown)	70-26209-01			
25	*BASE ASSEMBLY	70-27106-01			3
26	*Bezel Assembly, Rear	70-27107-01			
27	*Shelf, Lower Drive Assembly	70-27108-01			
28	*Shelf, Upper Drive Assembly	70-27109-01			
29	*Cover, FCC Blanking Option (Not Shown)	70-28539-01			

FIG. & ITEM NO.	DESCRIPTION	DIGITAL PART NO. <sup>c</sup>	ECO CUT-IN 47DBM 00000	USED ON CODE	REF FIG NO.
1-	<p>30 *Cover, FCC Blanking Comms</p> <p>31 *Medallion, VAX 4000-100A</p> <p>32 *Insert, Bezel (PVS)</p> <p>33 *Box, Port Expander</p> <p>34 *Screw Assembly, Lock (Not Shown)</p> <p>35 *Screw, Sems Pan Hd No. 4-40 x 3/8</p> <p>36 *Screw, Sems Pan Hd No. 6-32 x 5/16</p> <p>37 *Cable Clamp, Strain Relief (Not Shown)</p> <p>38 *Bag, Poly Reclose (Not Shown)</p> <p>39 *Connector, DSSI Terminator</p> <p>Note: Drives are not part of this assembly and are shown for reference only. For more information on optional items, refer to the following VAX 4000-100A/105A Platform Maintenance Information manuals:</p> <p>Documentation, "BA42B Enclosure Maintenance Manual" (Not Shown)</p> <p>Documentation, "KA52/KA53 CPU System Maintenance Manual" (Not Shown)</p> <p>Documentation, "System Options Manual" (Not Shown)</p> <p>Note: For VAX 4000 Model 100 System IPB Manual, Refer To EK-470AA-IP.</p>	<p>70-28359-02</p> <p>74-37642-31</p> <p>74-38027-01</p> <p>74-45705-01</p> <p>90-08451-00</p> <p>90-09643-00</p> <p>90-09984-07</p> <p>90-11237-02</p> <p>99-06557-30</p> <p>12-29258-01</p> <p>EK-472AB-MG</p> <p>EK-473AB-MG</p> <p>EK-474AB-OP</p>			



THIS PAGE INTENTIONALLY LEFT BLANK

**MODEL 105A**

INDICATES FRU LEVEL PARTS.

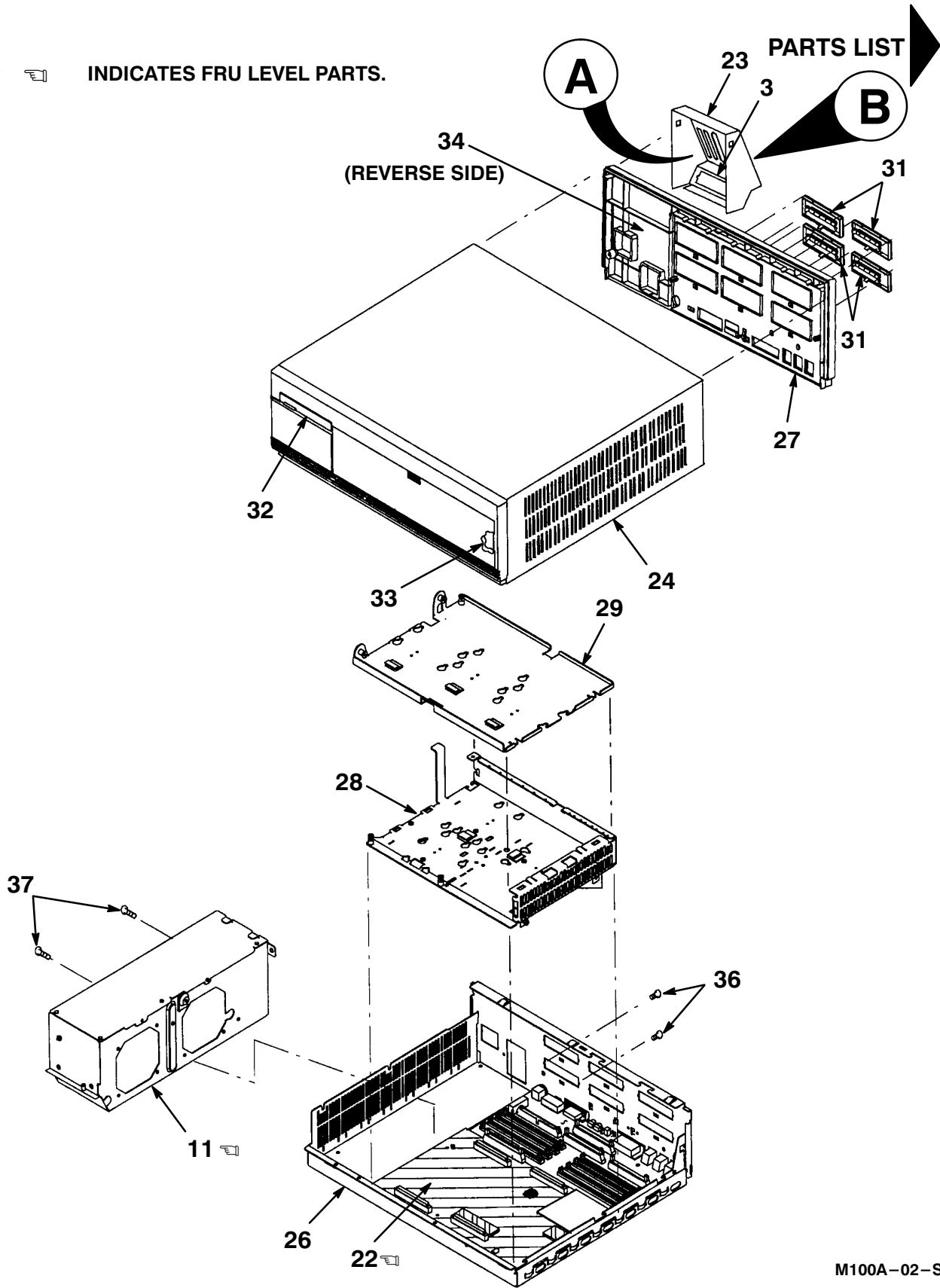


Figure 2. Enclosure, KA53 NVAX CPU BA42B Kernel (System Building Block)  
(Sheet 1 of 3)

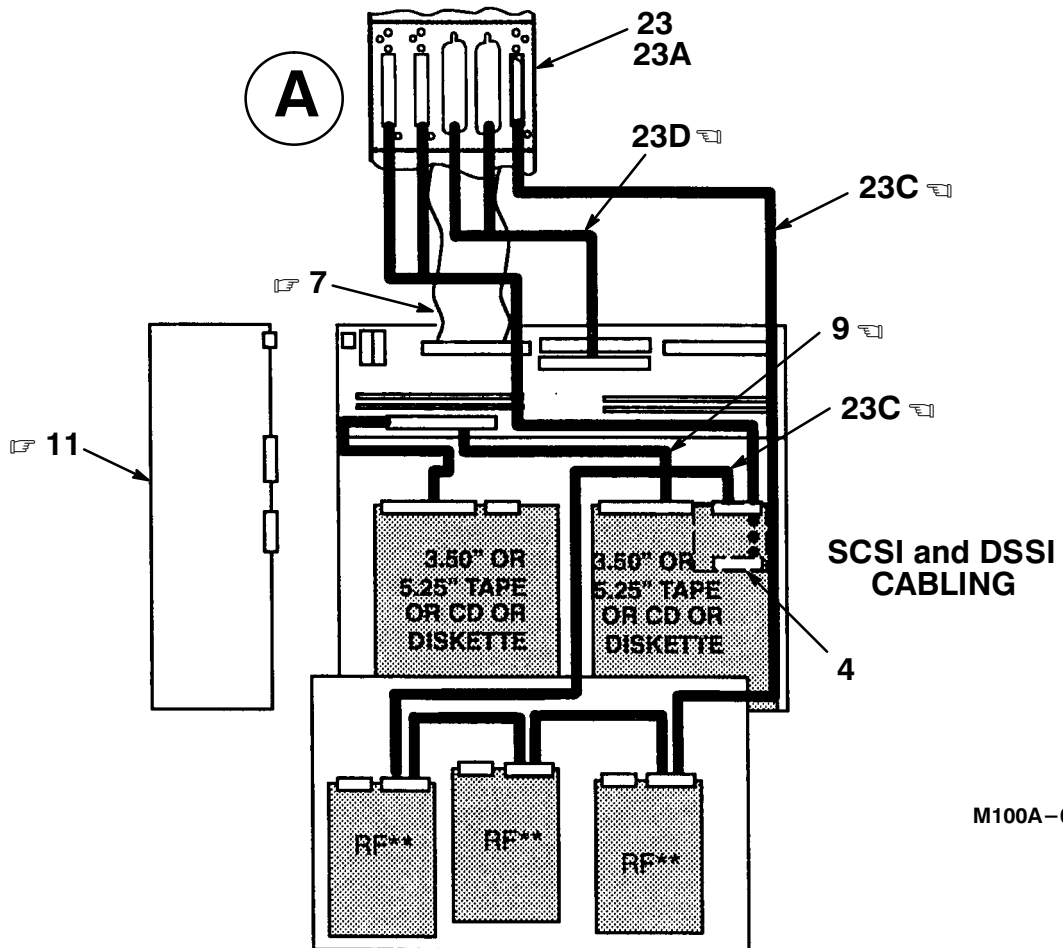
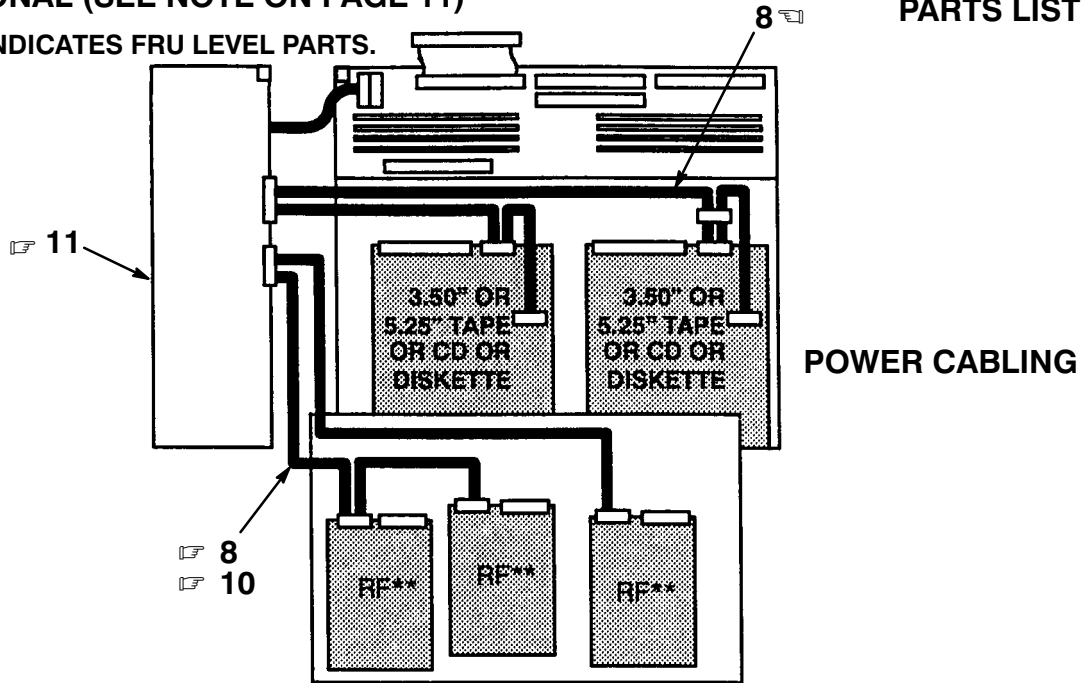


OPTIONAL (SEE NOTE ON PAGE 11)



INDICATES FRU LEVEL PARTS.

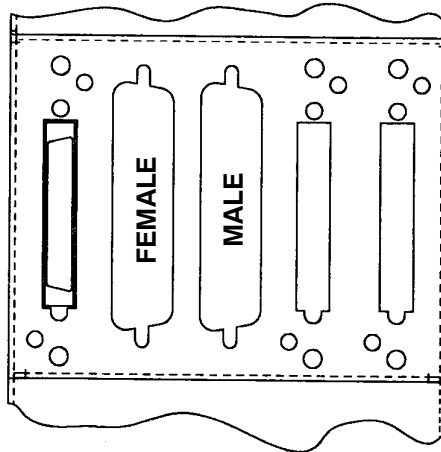
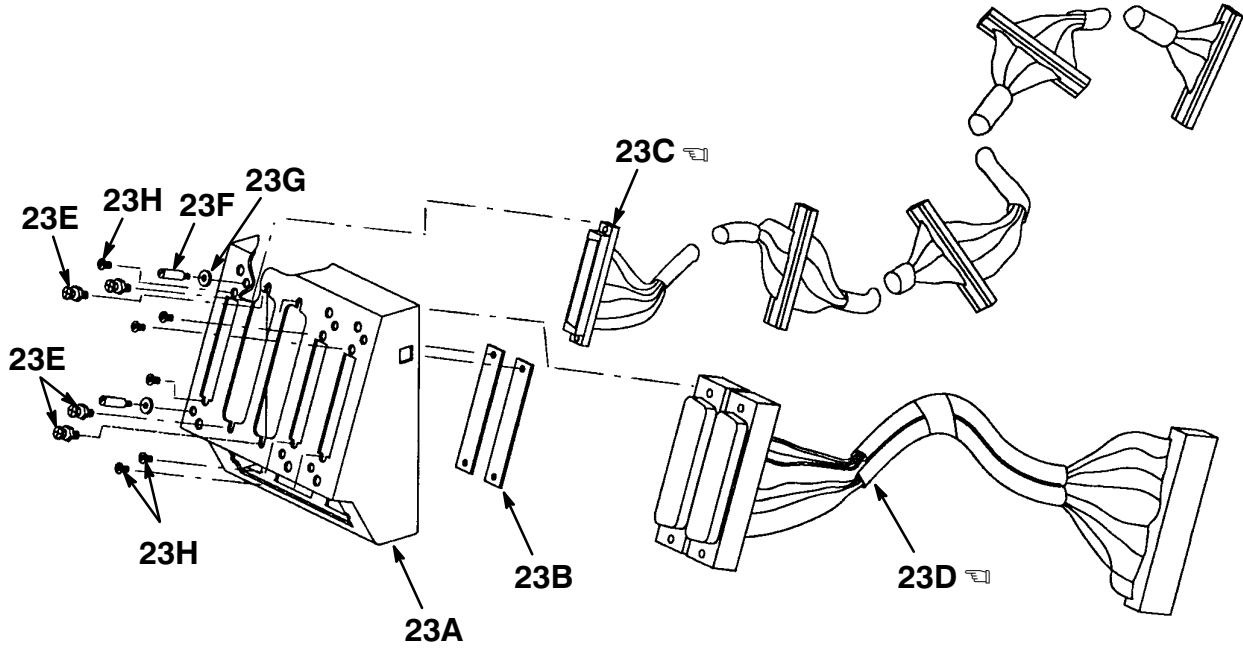
PARTS LIST



M100A-02A-SC

Figure 2. Enclosure, KA53 NVAX CPU BA42B Kernel (System Building Block)  
(Sheet 2 of 3)

INDICATES FRU LEVEL PARTS.



ORIENTATION OF RECEPTACLES

**B**

M100A-02B-SC

Figure 2. Enclosure, KA53 NVAX CPU BA42B Kernel (System Building Block)  
(Sheet 3 of 3)

FIG. & ITEM NO.	DESCRIPTION	DIGITAL PART NO. <sup>A</sup>	ECO CUT-IN 48DBM 00000	USED ON CODE	REF FIG NO.
2-	ENCLOSURE, KA53 NVAX CPU BA42B KERNEL (SYSTEM BUILDING BLOCK)	48DBM-B9			
1	*Cable Assembly, Oval Data, 6 Cond w/MMJ On Each End (Not Shown)	BC16E-25			
2	*Adapter, 25 Pin D-Sub to MMJ (Not Shown)	H8575-A			
3	*Grommet, Caterpillar	12-25469-19			
4	*Connector, DSSI Terminator	12-29258-01			
5	*Connector, SCSI Terminator (Not Shown)	12-30552-01			
6	*Power Cord 125V (Not Shown)	17-00606-02			
☞ 7	*Cable Assembly, Flat 50 Way, SCSI	17-02944-01			
☞ 8	*Cable Assembly, DC Harness	17-03018-01			
☞ 9	*Cable Assembly, Flat 50 Cond (See Note 1)	17-03587-01			
☞ 10	*Harness Assembly, Wire, 05 Cond, 22AWG	17-03615-01			
☞ 11	*Power Supply Assembly, 166W, 120/240V	30-35042-01			
12	*Label, "Regulatory VS3X00" (Not Shown)	36-30382-23			
13	*Label, "Regulatory VS3X00" (Not Shown)	36-30382-24			
14	*Label, "Attention Pre-Installed Software" (Not Shown)	36-28979-01			
15	*Label, FTZ Postcard, Series BA42B (Not Shown)	36-30422-10			
16	*Label, "Diagnostic VS42A" (Not Shown)	36-30489-01			
17	*Label, "PTT Regulatory" (Not Shown)	36-36015-03			
18	*Label, "Product ID, BA42-B" (Not Shown)	36-36394-02			
19	*Label, "CE Mark" (Not Shown)	36-36842-01			
20	*Label, "OPA0 Console Port Arrow" (Not Shown)	36-39380-01			
21	*Package Assembly (Not Shown)	37-01106-09			
☞ 22	*MODULE, NVAX CPU, 512 KB Cache, SCSI	54-21797-02			
☞	**Battery, 3 Cell, .18ma Nicad, 3.75V	12-19245-01			
23	*EXPANSION ASSEMBLY, PORT	70-22861-01			
23A	**Cover, Expansion Port	74-46957-01			
23B	**Blank, DSSI	74-46956-01			
☞ 23C	**Cable Assembly, Round, 50 Cond	17-03544-01			
☞ 23D	**Cable Assembly, 100 Cond	17-03545-01			
23E	**Post Assembly, Locking	12-18672-00			
23F	**Pin, Alignment	12-30363-01			
23G	**Washer, Flat	90-08877-00			
23H	**Screw, Mach M2.5, Flat Hd, 8mm	90-10917-01			
	NOTE 1: 17-03016-01 Can Be Used As A Substitute Part For Line Item 9.				

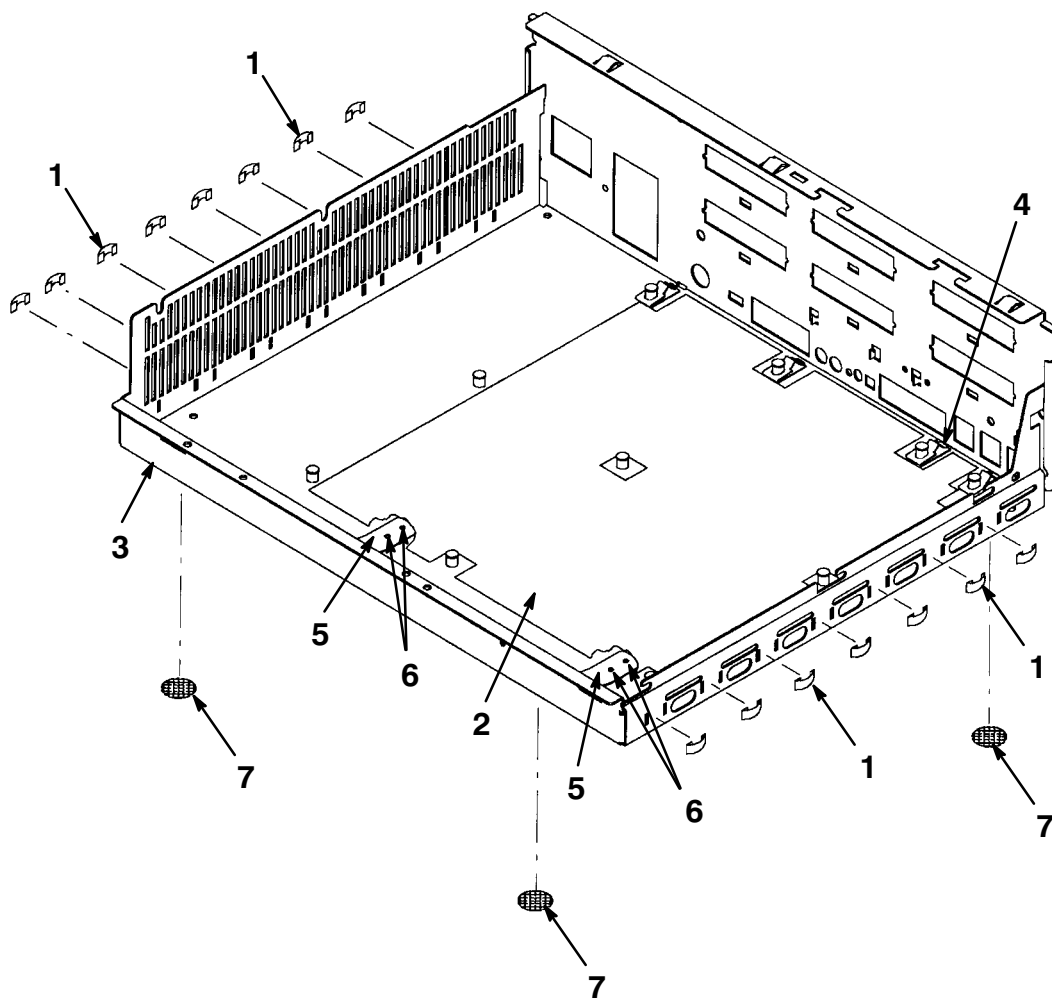
FIG. & ITEM NO.	DESCRIPTION	DIGITAL PART NO. <sup>A</sup>	ECO CUT-IN 48DBM 00000	USED ON CODE	REF FIG NO.
2-					
24	*COVER ASSEMBLY	70-26167-01			4
25	*Kit, Thickwire/ThinWire Ethernet (Not Shown)	70-26209-01			
26	*BASE ASSEMBLY	70-27106-01			3
27	*Bezel Assembly, Rear	70-27107-01			
28	*Shelf, Lower Drive Assembly	70-27108-01			
29	*Shelf, Upper Drive Assembly	70-27109-01			
30	*Cover, FCC Blanking Option (Not Shown)	70-28539-01			
31	*Cover, FCC Blanking Comms	70-28359-02			
32	*Medallion, VAX 4000-105A	74-37642-32			
33	*Insert, Bezel	74-38027-01			
34	*Box, Port Expander	74-45705-01			
35	*Screw Assembly, Lock (Not Shown)	90-08451-00			
36	*Screw, Sems Pan Hd No. 4-40 x 3/8	90-09643-00			
37	*Screw, Sems Pan Hd No. 6-32 x 5/16	90-09984-07			
38	*Cable Clamp, Strain Relief (Not Shown) (See Note 2)	90-11237-02			
39	*Bag, Poly Reclose (Not Shown)	99-06557-30			
	<p>Note: Drives are not part of this assembly and are shown for reference only. For more information on optional items, refer to the following VAX 4000-100A/105A Platform Maintenance Information manuals:</p>				
	Documentation, "BA42B Enclosure Maintenance Manual" (Not Shown)	EK-472AB-MG			
	Documentation, "KA52/KA53 CPU System Manual" (Not Shown)	EK-473AB-MG			
	Documentation, "System Options Manual" (Not Shown)	EK-474AB-OP			
	<p>NOTE 2: 90-11237-01 Can Be Used As A Substitute Part For Line Item 38.</p>				

THIS PAGE INTENTIONALLY LEFT BLANK



FIG. & ITEM NO.	DESCRIPTION	DIGITAL PART NO.	ECO CUT-IN 70-27106 00000	USED ON CODE	REF FIG NO.
3-	BASE ASSEMBLY	70-27106-01			1, 2
1	*Finger, Non-Snag Grounding	12-26922-01			
2	*Sheet, CPU Insulation	12-39980-01			
3	*Base	74-41871-01			
4	*Gasket, CPU Grounding	74-42429-01			
5	*Cantilever, CPU Retention	74-42448-01			
6	*Rivet, Repetition Clinch	90-00052-01			
7	*Foot, Self Adhesive	12-35649-01			

 INDICATES FRU LEVEL PARTS.

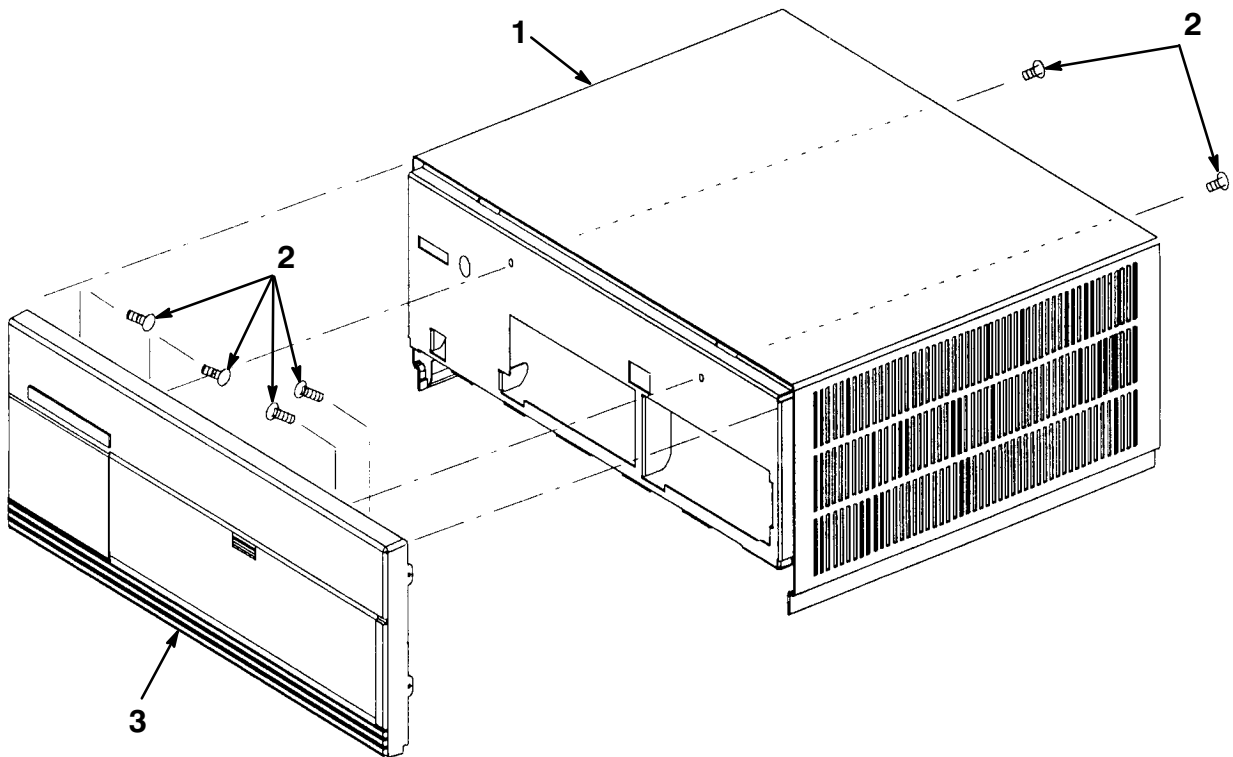


M100A-03-SC

Figure 3. Base Assembly

FIG. & ITEM NO.	DESCRIPTION	DIGITAL PART NO.	ECO CUT-IN 70-26167 00001	USED ON CODE	REF FIG NO.
4-	COVER ASSEMBLY	70-26167-01			1, 2
1	*Cover (Weldment)	70-26169-01			
2	*Screw, Self-Tap Flat Hd No. 4-20 x 3/16	90-10411-01			
3	*Bezel Assembly, Front	70-26168-01			
					Ω

 INDICATES FRU LEVEL PARTS.



M100A-04-SC

**Figure 4. Cover Assembly**

**PART NUMBER/DESCRIPTION INDEX** 

**INDEX BY DIGITAL PART NUMBER**  
**VAX 4000 Models 100A/105A Systems**

PART NO.	DESCRIPTION	FIG NO.	ITEM NO.
12-18672-00	Post Assembly, Locking	1	22E
12-18672-00	Post Assembly, Locking	2	23E
12-19245-01	Battery, 3 Cell, .18ma Nicad, 3.75V	1	21
12-19245-01	Battery, 3 Cell, .18ma Nicad, 3.75V	2	22
12-25469-19	Grommet, Caterpillar	1	3
12-25469-19	Grommet, Caterpillar	2	3
12-26922-01	Finger, Non-Snag Grounding	3	1
12-29258-01	Connector, DSSI Terminator	1	39
12-29258-01	Connector, DSSI Terminator	2	4
12-30363-01	Pin, Alignment	1	22F
12-30363-01	Pin, Alignment	2	23F
12-30552-01	Connector, SCSI Terminator (Not Shown)	1	4
12-30552-01	Connector, SCSI Terminator (Not Shown)	2	5
12-35649-01	Foot, Self Adhesive	3	7
12-39980-01	Sheet, CPU Insulation	3	2
17-00606-02	Power Cord 125V (Not Shown)	1	5
17-00606-02	Power Cord 125V (Not Shown)	2	6
17-02944-01	Cable Assembly, Flat 50 Way, SCSI	1	6
17-02944-01	Cable Assembly, Flat 50 Way, SCSI	2	7
17-03018-01	Cable Assembly, DC Harness	1	7
17-03018-01	Cable Assembly, DC Harness	2	8
17-03544-01	Cable Assembly, Round, 50 Cond	1	22C
17-03544-01	Cable Assembly, Round, 50 Cond	2	23C
17-03545-01	Cable Assembly, 100 Cond	1	22D
17-03545-01	Cable Assembly, 100 Cond	2	23D
17-03587-01	Cable Assembly, Flat 50 Cond	1	8
17-03587-01	Cable Assembly, Flat 50 Cond	2	9
17-03615-01	Harness Assembly, Wire, 05 Cond, 22AWG	1	9
17-03615-01	Harness Assembly, Wire, 05 Cond, 22AWG	2	10
30-35042-01	Power Supply Assembly, 166W, 120/240V	1	10
30-35042-01	Power Supply Assembly, 166W, 120/240V	2	11
36-28979-01	Label, "Attention Pre-Installed Software" (Not Shown)	1	11
36-28979-01	Label, "Attention Pre-Installed Software" (Not Shown)	2	14
36-30382-23	Label, "Regulatory VS3X00" (Not Shown)	1	12
36-30382-23	Label, "Regulatory VS3X00" (Not Shown)	2	12
36-30382-24	Label, "Regulatory VS3X00" (Not Shown)	1	13
36-30382-24	Label, "Regulatory VS3X00" (Not Shown)	2	13
36-30422-10	Label, FTZ Postcard, Series BA42B (Not Shown)	1	14
36-30422-10	Label, FTZ Postcard, Series BA42B (Not Shown)	2	15
36-30489-01	Label, "Diagnostic VS42A" (Not Shown)	1	15
36-30489-01	Label, "Diagnostic VS42A" (Not Shown)	2	16
36-36015-02	Label, "PTT Regulatory" (Not Shown)	1	16
36-36015-03	Label, "PTT Regulatory" (Not Shown)	2	17
36-36394-02	Label, "Product ID, BA42-B" (Not Shown)	1	17
36-36394-02	Label, "Product ID, BA42-B" (Not Shown)	2	18
36-36842-01	Label, "CE Mark" (Not Shown)	1	18
36-36842-01	Label, "CE Mark" (Not Shown)	2	19
36-39380-01	Label, "OPA0 Console Port Arrow" (Not Shown)	1	19
36-39380-01	Label, "OPA0 Console Port Arrow" (Not Shown)	2	20
37-01106-09	Package Assembly (Not Shown)	1	20
37-01106-09	Package Assembly (Not Shown)	2	21

**INDEX BY DIGITAL PART NUMBER**  
**VAX 4000 Models 100A/105A Systems**

PART NO.	DESCRIPTION	FIG NO.	ITEM NO.
47DBM-B9	ENCLOSURE, KA52 NVAX CPU BA42B KERNEL (SYSTEM BUILDING BLOCK)	1	N/A
48DBM-B9	ENCLOSURE, KA53 NVAX CPU BA42B KERNEL (SYSTEM BUILDING BLOCK)	2	N/A
54-21797-01	MODULE, NVAX CPU, 128 KB Cache, SCSI	1	21
54-21797-02	MODULE, NVAX CPU, 512 KB Cache, SCSI	2	22
70-22861-01	EXPANSION ASSEMBLY, PORT	1	22
70-22861-01	EXPANSION ASSEMBLY, PORT	2	23
70-26167-01	COVER ASSEMBLY	1	23
70-26167-01	COVER ASSEMBLY	2	24
70-26167-01	COVER ASSEMBLY	4	N/A
70-26168-01	Bezel Assembly, Front	4	3
70-26169-01	Cover (Weldment)	4	1
70-26209-01	Kit, Thickwire/ThinWire Ethernet (Not Shown)	1	24
70-26209-01	Kit, Thickwire/ThinWire Ethernet (Not Shown)	2	25
70-27106-01	BASE ASSEMBLY	1	25
70-27106-01	BASE ASSEMBLY	2	26
70-27106-01	BASE ASSEMBLY	3	N/A
70-27107-01	Bezel Assembly, Rear	1	26
70-27107-01	Bezel Assembly, Rear	2	27
70-27108-01	Shelf, Lower Drive Assembly	1	27
70-27108-01	Shelf, Lower Drive Assembly	2	28
70-27109-01	Shelf, Upper Drive Assembly	1	28
70-27109-01	Shelf, Upper Drive Assembly	2	29
70-28359-02	Cover, FCC Blanking Comms	1	30
70-28359-02	Cover, FCC Blanking Comms	2	31
70-28539-01	Cover, FCC Blanking Option (Not Shown)	1	29
70-28539-01	Cover, FCC Blanking Option (Not Shown)	2	30
74-37642-31	Medallion, VAX 4000-100A	1	31
74-37642-32	Medallion, VAX 4000-105A	2	32
74-38027-01	Insert, Bezel	2	33
74-38027-01	Insert, Bezel (PVS)	1	32
74-41871-01	Base	3	3
74-42429-01	Gasket, CPU Grounding	3	4
74-42448-01	Cantilever, CPU Retention	3	5
74-45705-01	Box, Port Expander	1	33
74-45705-01	Box, Port Expander	2	34
74-46956-01	Blank, DSSI	1	22B
74-46956-01	Blank, DSSI	2	23B
74-46957-01	Cover, Expansion Port	1	22A
74-46957-01	Cover, Expansion Port	2	23A
90-00052-01	Rivet, Repetition Clinch	3	6
90-08451-00	Screw Assembly, Lock (Not Shown)	1	34
90-08451-00	Screw Assembly, Lock (Not Shown)	2	35
90-08877-00	Washer, Flat	1	22G
90-08877-00	Washer, Flat	2	23G
90-09643-00	Screw, Sems Pan Hd No. 4-40 x 3/8	1	35
90-09643-00	Screw, Sems Pan Hd No. 4-40 x 3/8	2	36
90-09984-07	Screw, Sems Pan Hd No. 6-32 x 5/16	1	36
90-09984-07	Screw, Sems Pan Hd No. 6-32 x 5/16	2	37
90-10411-01	Screw, Self-Tap Flat Hd No. 4-20 x 3/16	4	2
90-10917-01	Screw, Mach M2.5, Flat Hd, 8mm	1	22H

**INDEX BY DIGITAL PART NUMBER**  
**VAX 4000 Models 100A/105A Systems**

PART NO.	DESCRIPTION	FIG NO.	ITEM NO.
90-10917-01	Screw, Mach M2.5, Flat Hd, 8mm	2	23H
90-11237-02	Cable Clamp, Strain Relief (Not Shown)	1	37
90-11237-02	Cable Clamp, Strain Relief (Not Shown)	2	38
99-06557-30	Bag, Poly Reclose (Not Shown)	1	38
99-06557-30	Bag, Poly Reclose (Not Shown)	2	39
BC16E-25	Cable Assembly, Oval Data, 6 Cond w/MMJ On Each End (Not Shown)	1	1
BC16E-25	Cable Assembly, Oval Data, 6 Cond w/MMJ On Each End (Not Shown)	1	2
EK-472AB-MG	Documentation, "BA42B Enclosure Maintenance Manual"	1	Not Shown
EK-472AB-MG	Documentation, "BA42B Enclosure Maintenance Manual"	2	Not Shown
EK-473AB-MG	Documentation, "KA52/KA53 CPU System Manual"	1	Not Shown
EK-473AB-MG	Documentation, "KA52/KA53 CPU System Manual"	2	Not Shown
EK-474AB-OP	Documentation, "System Options Manual"	1	Not Shown
EK-474AB-OP	Documentation, "System Options Manual"	2	Not Shown
H8575-A	Adapter, 25 Pin D-Sub to MMJ (Not Shown)	1	2
H8575-A	Adapter, 25 Pin D-Sub to MMJ (Not Shown)	2	2

**INDEX BY DIGITAL PART NUMBER**  
**VAX 4000 Models 100A/105A Systems**

<b>PART NO.</b>	<b>DESCRIPTION</b>	<b>FIG NO.</b>	<b>ITEM NO.</b>
---------------------	--------------------	--------------------	---------------------

---

**THIS PAGE INTENTIONALLY LEFT BLANK**

## INDEX BY DIGITAL PART DESCRIPTION

VAX 4000 Models 100A/105A Systems

DESCRIPTION	PART NO.	FIG. NO.	ITEM NO.
Adapter, 25 Pin D-Sub to MMJ (Not Shown)	H8575-A	1	2
Adapter, 25 Pin D-Sub to MMJ (Not Shown)	H8575-A	2	2
Bag, Poly Reclose (Not Shown)	99-06557-30	1	38
Bag, Poly Reclose (Not Shown)	99-06557-30	2	39
BASE ASSEMBLY	70-27106-01	1	25
BASE ASSEMBLY	70-27106-01	2	26
BASE ASSEMBLY	70-27106-01	3	N/A
Base	74-41871-01	3	3
Battery, 3 Cell, .18ma Nicad, 3.75V	12-19245-01	1	21
Battery, 3 Cell, .18ma Nicad, 3.75V	12-19245-01	2	22
Bezel Assembly, Front	70-26168-01	4	3
Bezel Assembly, Rear	70-27107-01	1	26
Bezel Assembly, Rear	70-27107-01	2	27
Blank, DSSI	74-46956-01	1	22B
Blank, DSSI	74-46956-01	2	23B
Box, Port Expander	74-45705-01	1	33
Box, Port Expander	74-45705-01	2	34
Cable Assembly, 100 Cond	17-03545-01	1	22D
Cable Assembly, 100 Cond	17-03545-01	2	23D
Cable Assembly, DC Harness	17-03018-01	1	7
Cable Assembly, DC Harness	17-03018-01	2	8
Cable Assembly, Flat 50 Cond	17-03587-01	1	8
Cable Assembly, Flat 50 Cond	17-03587-01	2	9
Cable Assembly, Flat 50 Way, SCSI	17-02944-01	1	6
Cable Assembly, Flat 50 Way, SCSI	17-02944-01	2	7
Cable Assembly, Oval Data, 6 Cond w/MMJ On Each End (Not Shown)	BC16E-25	1	1
Cable Assembly, Oval Data, 6 Cond w/MMJ On Each End (Not Shown)	BC16E-25	2	1
Cable Assembly, Round, 50 Cond	17-03544-01	1	22C
Cable Assembly, Round, 50 Cond	17-03544-01	2	23C
Cable Clamp, Strain Relief (Not Shown)	90-11237-02	1	37
Cable Clamp, Strain Relief (Not Shown)	90-11237-02	2	38
Cantilever, CPU Retention	74-42448-01	3	5
Connector, DSSI Terminator	12-29258-01	1	39
Connector, DSSI Terminator	12-29258-01	2	4
Connector, SCSI Terminator (Not Shown)	12-30552-01	1	4
COVER ASSEMBLY	70-26167-01	1	23
COVER ASSEMBLY	70-26167-01	2	24
COVER ASSEMBLY	70-26167-01	4	N/A
Connector, SCSI Terminator (Not Shown)	12-30552-01	2	5
Cover, Expansion Port	74-46957-01	1	22A
Cover, Expansion Port	74-46957-01	2	23A
Cover, FCC Blanking Comms	70-28359-02	1	30
Cover, FCC Blanking Comms	70-28359-02	2	31
Cover, FCC Blanking Option (Not Shown)	70-28539-01	1	29
Cover, FCC Blanking Option (Not Shown)	70-28539-01	2	30
Cover (Weldment)	70-26169-01	4	1
Documentation, "BA42B Enclosure Maintenance Manual"	EK-472AB-MG	1	Not Shown
Documentation, "BA42B Enclosure Maintenance Manual"	EK-472AB-MG	2	Not Shown
Documentation, "KA52/KA53 CPU System Manual"	EK-473AB-MG	1	Not Shown
Documentation, "KA52/KA53 CPU System Manual"	EK-473AB-MG	2	Not Shown



## INDEX BY DIGITAL PART DESCRIPTION

VAX 4000 Models 100A/105A Systems

DESCRIPTION	PART NO.	FIG. NO.	ITEM NO.
Documentation, "System Options Manual"	EK-474AB-OP	1	Not Shown
Documentation, "System Options Manual"	EK-474AB-OP	2	Not Shown
ENCLOSURE, KA52 NVAX CPU BA42B KERNEL (SYSTEM BUILDING BLOCK)	47DBM-B9	1	N/A
ENCLOSURE, KA53 NVAX CPU BA42B KERNEL (SYSTEM BUILDING BLOCK)	48DBM-B9	2	N/A
EXPANSION ASSEMBLY, PORT	70-22861-01	1	22
EXPANSION ASSEMBLY, PORT	70-22861-01	2	23
Finger, Non-Snag Grounding	12-26922-01	3	1
Foot, Self Adhesive	12-35649-01	3	7
Gasket, CPU Grounding	74-42429-01	3	4
Grommet, Caterpillar	12-25469-19	1	3
Grommet, Caterpillar	12-25469-19	2	3
Harness Assembly, Wire, 05 Cond, 22AWG	17-03615-01	1	9
Harness Assembly, Wire, 05 Cond, 22AWG	17-03615-01	2	10
Insert, Bezel	74-38027-01	2	33
Insert, Bezel (PVS)	74-38027-01	1	32
Kit, Thickwire/ThinWire Ethernet (Not Shown)	70-26209-01	1	24
Kit, Thickwire/ThinWire Ethernet (Not Shown)	70-26209-01	2	25
Label, FTZ Postcard, Series BA42B (Not Shown)	36-30422-10	1	14
Label, FTZ Postcard, Series BA42B (Not Shown)	36-30422-10	2	15
Label, "Attention Pre-Installed Software" (Not Shown)	36-28979-01	2	14
Label, "Attention Pre-Installed Software" (Not Shown)	36-28979-01	1	11
Label, "CE Mark" (Not Shown)	36-36842-01	1	18
Label, "CE Mark" (Not Shown)	36-36842-01	2	19
Label, "Diagnostic VS42A" (Not Shown)	36-30489-01	1	15
Label, "Diagnostic VS42A" (Not Shown)	36-30489-01	2	16
Label, "OPA0 Console Port Arrow" (Not Shown)	36-39380-01	1	19
Label, "OPA0 Console Port Arrow" (Not Shown)	36-39380-01	2	20
Label, "PTT Regulatory" (Not Shown)	36-36015-02	1	16
Label, "PTT Regulatory" (Not Shown)	36-36015-03	2	17
Label, "Product ID, BA42-B" (Not Shown)	36-36394-02	1	17
Label, "Product ID, BA42-B" (Not Shown)	36-36394-02	2	18
Label, "Regulatory VS3X00" (Not Shown)	36-30382-23	1	12
Label, "Regulatory VS3X00" (Not Shown)	36-30382-23	2	12
Label, "Regulatory VS3X00" (Not Shown)	36-30382-24	1	13
Label, "Regulatory VS3X00" (Not Shown)	36-30382-24	2	13
Medallion, VAX 4000-100A	74-37642-31	1	31
Medallion, VAX 4000-105A	74-37642-32	2	32
MODULE, NVAX CPU, 128 KB Cache, SCSI	54-21797-01	1	21
MODULE, NVAX CPU, 512 KB Cache, SCSI	54-21797-02	2	22
Package Assembly (Not Shown)	37-01106-09	1	20
Package Assembly (Not Shown)	37-01106-09	2	21
Pin, Alignment	12-30363-01	1	22F
Pin, Alignment	12-30363-01	2	23F
Post Assembly, Locking	12-18672-00	1	22E
Post Assembly, Locking	12-18672-00	2	23E

## INDEX BY DIGITAL PART DESCRIPTION

VAX 4000 Models 100A/105A Systems

DESCRIPTION	PART NO.	FIG. NO.	ITEM NO.
Power Cord 125V (Not Shown)	17-00606-02	1	5
Power Cord 125V (Not Shown)	17-00606-02	2	6
Power Supply Assembly, 166W, 120/240V	30-35042-01	1	10
Power Supply Assembly, 166W, 120/240V	30-35042-01	2	11
Rivet, Repetition Clinch	90-00052-01	3	6
Screw Assembly, Lock (Not Shown)	90-08451-00	1	34
Screw Assembly, Lock (Not Shown)	90-08451-00	2	35
Screw, Mach M2.5, Flat Hd, 8mm	90-10917-01	1	22H
Screw, Mach M2.5, Flat Hd, 8mm	90-10917-01	2	23H
Screw, Self-Tap Flat Hd No. 4-20 x 3/16	90-10411-01	4	2
Screw, Sems Pan Hd No. 4-40 x 3/8	90-09643-00	1	35
Screw, Sems Pan Hd No. 4-40 x 3/8	90-09643-00	2	36
Screw, Sems Pan Hd No. 6-32 x 5/16	90-09984-07	1	36
Screw, Sems Pan Hd No. 6-32 x 5/16	90-09984-07	2	37
Sheet, CPU Insulation	12-39980-01	3	2
Shelf, Lower Drive Assembly	70-27108-01	1	27
Shelf, Lower Drive Assembly	70-27108-01	2	28
Shelf, Upper Drive Assembly	70-27109-01	1	28
Shelf, Upper Drive Assembly	70-27109-01	2	29
Washer, Flat	90-08877-00	1	22G
Washer, Flat	90-08877-00	2	23G

**INDEX BY DIGITAL PART DESCRIPTION**

VAX 4000 Models 100A/105A Systems

DESCRIPTION	PART NO.	FIG. NO.	ITEM NO.
-------------	-------------	-------------	-------------

---

**THIS PAGE INTENTIONALLY LEFT BLANK**