

**ILLUSTRATED
PARTS
BREAKDOWN**

**BA42A
DSSI STORAGE EXPANDER**

ILLUSTRATED PARTS BREAKDOWN (IPB)

The IPB is used to identify a part and its location in a hardware product. The document references specific item numbers in the associated parts list.

HOW TO USE THE IPB

1. Locate the figure containing the item of interest.
2. Locate the number (callout) of the item of interest.
3. Locate that item number in the associated parts list.

FORMAT

Each IPB is generally organized based on its first figure. All other assemblies and subassemblies are referenced from this figure. Each figure contains numeric callouts of all major parts (items).

PARTS LIST

Each parts list contains the following:

Figure and Item No. – Lists the figure number and its referenced numeric callout

Description – Presents the name and a brief description of the item. A single asterisk (*) preceding the description denotes item is a

subassembly to its referenced figure. A double asterisk (**) preceding the description indicates that this item is subordinate to the preceding single asterisk item.

DEC Part No. – Lists the Digital/Vendor part number. The letter in the column heading indicates the current revision level of the Engineering Drawing for the referenced figure.

ECO Cut-In – Lists the top assembly drawing number and revision level at first printing. All additional revisions to an item are listed in this column.

Used On Code – Lists letters referring to the product variation assigned in Figure 1. When this column is blank, the item is used in all variations.

Ref Fig No. – Lists a cross reference between figures within the IPB.

PART NUMBER/PART DESCRIPTION INDEX SECTION

Lists items by part number numerically, and description alphabetically. Items are also referenced to a location within the IPB by figure and item number.

ECO/REVISION HISTORY

**OTHER IPB
MANUALS
REFERENCED**

FIGURE NO.	ASSEMBLY	INITIAL LEVEL	CURRENT LEVEL	PRINTING DATE	OTHER IPB MANUALS REFERENCED
1	BA42A	00000	00000	30-DEC-92	N/A

Digital Equipment Corporation reserves the right, without notice, to make substitutions and modifications in the specifications of products documented in this manual and further reserves the right to withdraw any of these products from the market without notice.

Digital Equipment Corporation is not responsible for errors which may appear in the technical description (including illustrations and photographs) of the products covered by this manual.

None of the descriptions contained in this manual imply the granting of any license whatsoever to make, use or sell equipment constructed in accordance therewith.

Restricted Rights: Use, duplication or disclosure by the U.S. Government is subject to restrictions as set forth in subparagraph (c) (1) (ii) of the Rights in Technical Data and Computer Software clause at DFARS 252.227-2713.

Copyright © 1992 by Digital Equipment Corporation. All rights reserved.
Printed in U.S.A.

The postage-paid READER'S COMMENTS form on the last page of this document requests your critical evaluation to assist us in preparing future documentation.

The following are trademarks of Digital Equipment Corporation :

DECdirect, DSSI and the DIGITAL logo.

PARTS LIST

  INDICATES FRU LEVEL PARTS.

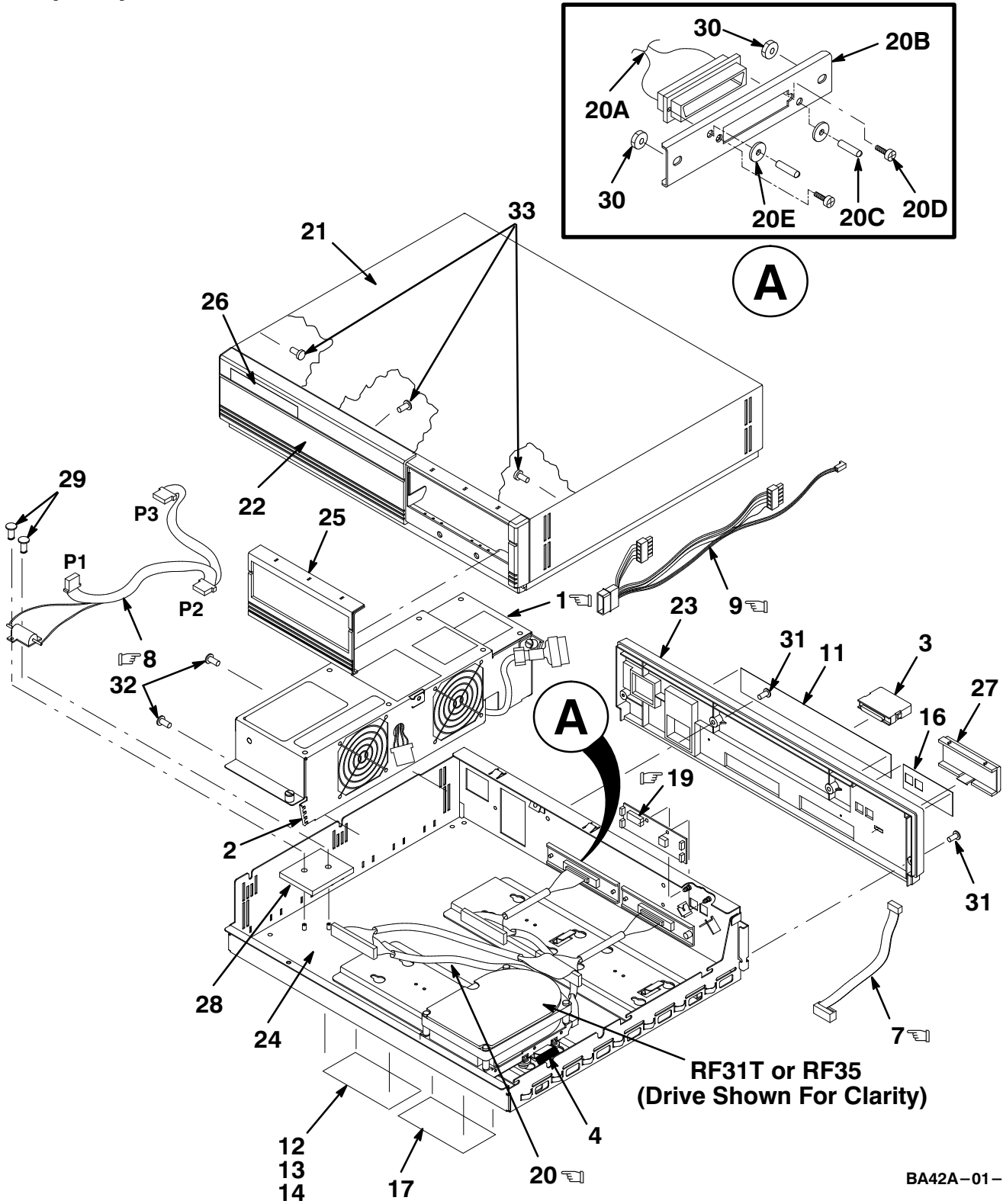


Figure 1. Unit Assembly, BA42

BA42A-01-IL

FIG. & ITEM NO.	DESCRIPTION	DEC PART NO. ^A	ECO CUT-IN BA42A 00000	USED ON CODE	REF FIG NO.
1-	UNIT ASSEMBLY, BA42	BA42A-CA			
☞ 1	*Power Supply, Auto Select 100-120V/220-240V 122W	H7821-00			
2	*Grommet, Caterpillar	12-25469-05			
3	*Connector, Terminator	12-29258-01			
4	*Gasket, Foam	12-39913-01			
5	*Cord, Power 125V (Not Shown)	17-00606-02			
6	*Cable Assembly, Molded, 50 Cond (Not Shown)	17-02152-03			
☞ 7	*Cable Assembly, Flat, 28AWG	17-03428-03			
☞ 8	*Harness Assembly, Wire, 11 Cond, 22AWG	17-03665-01			
☞ 9	*Harness Assembly, Wire, 10 Cond, 22AWG	17-03702-01			
10	*Label, "Attention Preinstalled Software" (Not Shown)	36-28979-01			
11	*Label, "Product ID"	36-30381-12			
12	*Label, "Regulatory" (U.S.A.)	36-30382-25			
13	*Label, "Regulatory" (Canada)	36-30382-26			
14	*Label, "Regulatory" (U.K.)	36-30382-27			
15	*Label, FTZ Postcard (Not Shown)	36-30422-05			
16	*Label, "DSSI ID"	36-31665-06			
17	*Label, "CE Mark"	36-36842-01			
18	*Package Assembly (Not Shown)	37-01107-11			
☞ 19	*Module, RFP	54-22434-01			
☞ 20	*CABLE ASSEMBLY, DSSI	70-22859-01			
20A	**Cable Assembly, Round, 50 Cond, 30AWG	17-03661-01			
20B	**Panel, DSSI Connector	74-46644-01			
20C	**Pin, Alignment	12-30363-01			
20D	**Screw, Mach M2.5, Flat Hd, 8mm	90-10917-01			
20E	**Washer, Flat	90-08877-00			
21	*Weldment, Top Enclosure	70-25786-01			
22	*Bezel Assembly, Front	70-25797-01			
23	*Bezel Assembly, Rear	70-26997-01			
24	*Weldment, Chassis Expander	70-30324-01			
25	*Bezel, Blank Inset	74-37499-01			
26	*Medallion	74-37642-10			
27	*Door, Bezel (Terminator)	74-38189-01			
28	*Block, Spacer	74-39589-01			
29	*Screw, Mach Pan Hd No. 4-40 x 5/16	90-06010-01			
30	*Nut, Kep No. 6-32 x 5/16	90-09243-00			
31	*Screw, Sems Pan Hd No. 6-32 x 3/8	90-09984-00			
32	*Screw, Sems Pan Hd No. 6-32 x 5/16	90-09984-07			
33	*Screw, Thread Roll, Flat Hd No. 4-20 x 3/16	90-10411-01			
34	*Clip, Wire Routing (Adhesive Back) (Not Shown)	12-21249-06			
35	*Documentation, "BA42A-CA DSSI Expander Installation Guide" (Not Shown)	EK-BA42C-IN			
					Ω

READER'S COMMENTS

BA42A DSSI Storage Expander
Illustrated Parts Breakdown
EK-BA42A-IP. A01

1. How did you use this manual? (Circle your response.)

- (a) Installation (c) Maintenance (e) Training
(b) Operation/Use (d) Programming (f) Other (Please specify) _____

2. Did the manual meet your needs? Yes No Why? _____

3. Please rate the manual on the following categories. (Circle your response.)

	Excellent	Good	Fair	Poor	Unacceptable
Accuracy	5	4	3	2	1
Clarity	5	4	3	2	1
Completeness	5	4	3	2	1
Illustrations, examples	5	4	3	2	1
Overall ease of use	5	4	3	2	1
Table of Content, Index	5	4	3	2	1

4. What things did you like *most* about this manual? _____

5. What things did you like *least* about this manual? _____

6. Please list and describe any errors you found in the manual.

Page	Description/Location of Error
_____	_____
_____	_____
_____	_____
_____	_____

7. Which of the following most clearly describes your job ? (Circle your response.)

- (a) Administrative Support (e) System Manager (i) Education/Trainer
(b) Manager/Supervisor (f) Computer Operator (j) Sales/Marketing
(c) Scientist/Engineer (g) Software Support (k) Other (Please specify) _____
(d) Programmer/Analyst (h) Hardware Support

OPTIONAL INFORMATION

Name _____ Job Title _____

Street _____ Company _____

City _____ Department _____

State/Country _____ Telephone Number _____

Postal (ZIP) Code _____ Date _____

THANK YOU FOR YOUR COMMENTS AND SUGGESTIONS.

Please do not use this form to order manuals. Contact your representative at Digital Equipment Corporation or (in the USA) call our DECdirect™ department at this toll-free number : 800-344-4825