



14-inch SVGA Color Monitor

Installation Guide

Order Number: EK-PCXCV-RX. A01

This film is the property of Digital Equipment Corporation



EDMatic V4.02





July 1994

The information in this document is subject to change without notice and should not be construed as a commitment by Digital Equipment Corporation.

Restricted Rights: Use, duplication, or disclosure by the U.S. Government is subject to restrictions as set forth in subparagraph (c) (1) (ii) of the Rights in Technical Data and Computer Software clause at DFARS 252.227-7013.

FCC Notice: This equipment has been tested and found to comply with the limits for a Class B digital device, pursuant to Part 15 of the FCC rules. These limits are designed to provide reasonable protection against harmful interference in a residential installation. Any changes or modifications made to this equipment may void the user's authority to operate this equipment.

This equipment generates, uses, and can radiate radio frequency energy and, if not installed and used in accordance with the instructions, may cause harmful interference to radio and television reception; however, there is no guarantee that interference will not occur in a particular installation. If this equipment does cause harmful interference to radio or television reception, which can be determined by turning the equipment off and on, the user is encouraged to try to correct the interference by one or more of the following measures:

- Re-orient or relocate the receiving antenna.
- Increase the separation between the equipment and the receiver.
- Connect the equipment to an outlet on a circuit different from that to which the receiver is connected.
- Consult the dealer or an experienced radio/TV technician for help.

DO NOT attempt to modify this equipment. If modified, your authority to operate this equipment might be voided by the FCC.

Canadian Department of Communications Statement

This digital apparatus does not exceed the Class B limits for radio noise emissions from digital apparatus as set out in the Radio Interference Regulations of the Canadian Department of Communications.

DEC and the DIGITAL logo are trademarks of Digital Equipment Corporation. VGA is a registered trademark of International Business Machines Corporation. SVGA and VESA are registered trademark of the Video Electronic Standards Association.

Copyright © Digital Equipment Corporation 1994. All rights reserved.
Printed in Thailand.

This document was prepared using VAX DOCUMENT Version 2.1.





Contents

About This Guide	v
1 Installation	
1.1 Install the tilt/swivel stand.	1-1
1.2 Monitor Installation	1-2
2 Servicing	
2.1 Cleaning the Monitor	2-1
2.2 Maintenance and Troubleshooting	2-1
2.2.1 Identifying and Correcting Problems	2-1
2.2.2 Troubleshooting Table	2-2
3 Specifications	
3.1 Monitor Specifications	3-1
3.2 Scanning Modes	3-2
3.3 Pin Assignments	3-2
3.4 Environment	3-3

This film is the property of Digital Equipment Corporation





Figures

1-1	Monitor Control Panel	1-3
-----	-----------------------------	-----

Tables

1-1	User Controls and Functions	1-3
2-1	Identifying and Correcting Problems	2-2
3-1	Factory Pre-set Resolution and Frequencies	3-2

This film is the property of Digital Equipment Corporation

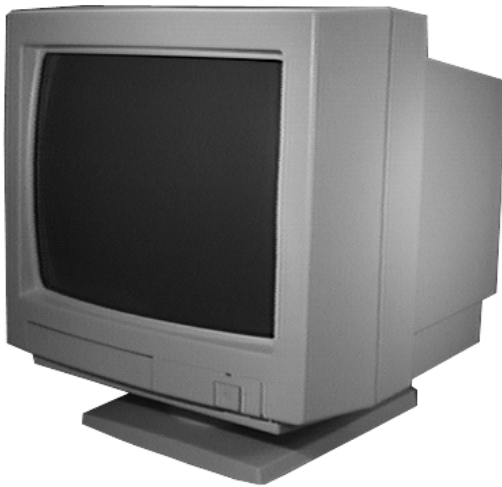




About This Guide

Overview

The SVGA Color Monitor (PCXCV-Rx) has *multi-modes*: VGA, SVGA, and 1024 × 768 interlaced modes.



The monitor offers the following features:

- Anti-glare screen with unlimited display colors
- Automatic selection of horizontal and vertical frequencies
- User controls for image size and centering to adapt to a variety of video cards

This product also has been designed and manufactured to minimize the impact to the environment.





Audience

This guide is intended for users who wish to install the monitor.

Conventions

The following conventions are used in this document:

Convention	Meaning
Note	Provides general information.
Caution	Provides information to prevent damage to equipment.
Warning	Provides information to prevent injury.





Installation/Operating Guidelines

Observe the following basic rules for installation and use.

Do . . .

- Use the power cord supplied with the monitor, which is UL- and CSA-approved, designed for a **grounded** outlet.
- Turn the monitor off when you clean the monitor or if you do not use it for an extended period of time.

Do Not . . .

- Exceed the ac power output rating of the ac outlet of your computer or other source.
- Move the monitor on a stand over carpet or thresholds.
- Push objects into the monitor's openings.
- Add accessories that are not designed for this monitor.
- Operate the monitor near water or in a damp environment, which could cause an electrical shock hazard.
- Operate the monitor near magnets, motor devices, transformers, high power lines, or large steel pillars, which can cause distortion in the picture.
- Obstruct the ventilation openings in the monitor's cabinet, such as placing the monitor on a rug or within an enclosure.
- Place the monitor near a radiator or heat source.
- Use liquid cleaners or aerosol cleaners. Instead, use a damp cloth for cleaning.





This film is the property of Digital Equipment Corporation



EDMatic V4.02

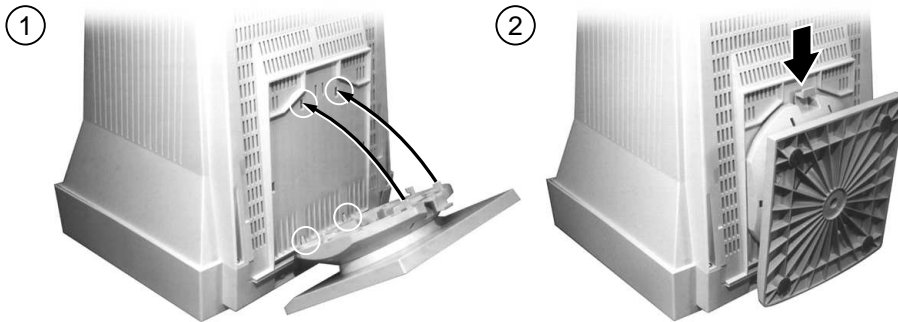


1

Installation

1.1 Install the tilt/swivel stand.

1. With the monitor face down, insert the hooks on the stand into the slots in the bottom of the monitor.
2. Apply pressure near the latch so it is secure.





Installation


1.2 Monitor Installation

1.2 Monitor Installation

To connect your monitor:

1. Make sure the power to the monitor and the computer is off.
2. Connect the monitor's signal cable to the 15-pin interface connector on the High Resolution Graphic Video Adapter on the back of the computer.
3. Plug in the ac power cord to the monitor, then to a properly-grounded ac electrical outlet.

Turn On Power to Monitor

Push the power switch button  to turn on the monitor. The power indicator LED above this switch should light green.





Installation 1.2 Monitor Installation

Figure 1-1 Monitor Control Panel

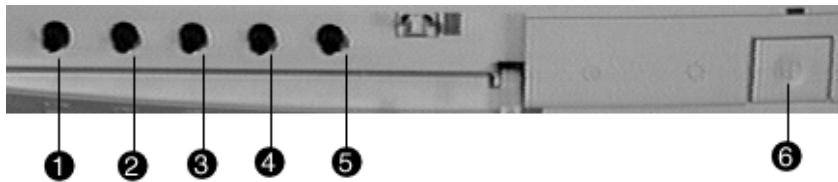
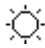



Table 1-1 User Controls and Functions

Control	Action
	Brightness – Turn the control clockwise to increase brightness. Turn the control counterclockwise to reduce brightness.
	Contrast – Turn the control clockwise to increase contrast. Turn the control counterclockwise to reduce contrast.

Note

If the picture is too small or not centered, the monitor does not recognize the input frequency mode. Adjust the position and size of the picture using the controls that follow.

(continued on next page)





Installation 1.2 Monitor Installation

Table 1-1 (Cont.) User Controls and Functions

Item	Control	Screen	Adjustment
1			Pincushion (PCC) – Turn this control to correct a bowed image.
2			Vertical Size – Turn this control for correct vertical display size.
3			Vertical Center – Turn this control for correct vertical display position.
4			Horizontal Size – Turn this control for correct horizontal display size.
5			Horizontal Center – Turn this control for correct horizontal display position.

This film is the property of Digital Equipment Corporation





2

Servicing

2.1 Cleaning the Monitor

To clean the monitor:

1. Unplug the monitor.
2. Clean the monitor with a soft, slightly damp cloth. **Do not** use an aerosol cleaner directly on the screen.

Caution

Do not use benzene, thinner, or any volatile substance to clean the monitor, as these product may discolor the monitor's cabinet. Likewise, do not place rubber or vinyl on the monitor.

2.2 Maintenance and Troubleshooting

2.2.1 Identifying and Correcting Problems

The following can be sources of problems:

- Communications cables
- Host system
- Nearby power or electrical sources





Servicing 2.2 Maintenance and Troubleshooting

2.2.2 Troubleshooting Table

Use Table 2–1 to identify and correct any problem areas.

Table 2–1 Identifying and Correcting Problems

Symptom	Possible Cause	Suggested Solution
Display does not appear.	Brightness or Contrast control is set too low.	Increase the brightness and contrast control setting.
	There is no power.	Check the power cord. Use another ac outlet.
Video display has moving dots and distorted lines. The display rolls or flickers.	There is electromagnetic interference.	Move any electromechanical device, such as a fan or a motor, away from the monitor or move the monitor.

Warning

Serious shock hazards exist inside this display. There are no user serviceable parts inside. **DO NOT** remove covers under any circumstances or attempt to service the monitor yourself. Call a qualified service representative.

If you need to dispose of a unit, ask a qualified service representative for the proper procedure. Improper disposal could result in personal injury from implosion.

This film is the property of Digital Equipment Corporation





3

Specifications

3.1 Monitor Specifications

Monitor	35.6 cm (14 in) non-glare
Active area	24.8 × 18.6 cm
Height	38.1 cm (15.0 in)
Width	36.2 cm (14.3 in)
Depth	38.0 cm (15.0 in)
Swivel	±45°
Tilt	-5° to +15°
Weight	11 Kg (24.2 lbs)
Video Signal	0.7V p-p R, G, B color (positive) 75Ω.
H-Sync	TTL positive or negative, 1KΩ min. 30K to 38KHz (multi-scanning).
V-Sync	TTL positive or negative, 1KΩ min. 50 to 88 Hz.
Connector	15-pin D-sub
Power input	90 - 135 Vac, 1.0 A max at 60 Hz; 180 - 264 Vac, 0.4 A max at 50 Hz (auto-switching)
Power consumption	75 W (max)
Environment:	
Operating Temperature	10 - 40°C
Humidity	20 - 80% relative humidity (noncondensing)

This film is the property of Digital Equipment Corporation





Specifications
3.2 Scanning Modes

3.2 Scanning Modes

To minimize adjustment needs, the monitor has six factory pre-set display standards, shown in Table 3–1. When the monitor detects any of these display standards, it automatically adjusts the picture size and centering.

Table 3–1 Factory Pre-set Resolution and Frequencies

Mode	Pre-set Addressability (Pixels x Lines)	Vertical Refresh (Hz)	Horizontal Frequency (kHz)
1	640 x 350	70.09	31.47†
2	720 x 400	70.09†	31.47
3	640 x 480	59.94	31.47
4	640 x 480	75.00	37.50
5	800 x 600	60.32†	37.88†
6	1024 x 768	86.96‡	35.52

†positive polarities

‡interlaced

3.3 Pin Assignments

The pin assignments for the 15-pin D-type connector are:

Pin	Signal	Pin	Signal	Pin	Signal
1	Red	6	Red Return	11	GND
2	Green	7	Green Return	12	No pin
3	Blue	8	Blue Return	13	H-SYNC
4	GND	9	No pin	14	V-SYNC
5	Selftest	10	GND	15	No pin

This film is the property of Digital Equipment Corporation





Specifications
3.4 Environment

3.4 Environment

This product has been designed and manufactured to minimize the impact to the environment. The packaging is recyclable and the monitor can be returned for proper disposal.

Asbestos

This product does not use asbestos in any form.

Flame Retardants

The enclosures do not contain polybrominated diphenylether (PBDE) as a flame retardant additive; therefore, they do not emit toxic dibenzofuran and dibenzodioxin gases.

Ozone Depleting Substances (ODS)

The PCXCV-Rx is in full compliance with the labeling requirements in the U.S. Clean Air Act Amendments of 1990. It does not contain, nor is it manufactured with, a Class 1 ODS, as defined in Title VI Section 611 of this act.

PVC

The plastic enclosures are not made of rigid PVC. The material has a non-halogenated, flame-retardant system and is cadmium free.

This film is the property of Digital Equipment Corporation





This film is the property of Digital Equipment Corporation



EDMatic V4.02