

**ILLUSTRATED
PARTS
BREAKDOWN**

**SF72
STORAGE ARRAY
BUILDING BLOCK**

HOW TO USE THE IPB

GENERAL

This IPB is compiled following the organization and nomenclature of the engineering drawing structure.

MAJOR ASSEMBLY LOCATOR (When Applicable)

The Major Assembly Locator (first illustration) is an index that provides a description and a figure reference for all illustrations used in this manual.

INDENTED PARTS LIST

This manual identifies each assembly being broken down (figure reference callout), and all parts of that assembly. Further breakdown of an assembly is shown by an asterisk (*) preceding the item callouts in the Description Column. The number of asterisks preceding an item is used to denote the subordination of that item with respect to the Major Assembly. A single asterisk preceding an item description indicates that the item is part of the major assembly being illustrated. Items that are subordinate to single asterisks items, are denoted by two asterisks (**) and immediately follow the related single asterisk item. This system of part identification provides a means for the user to identify the next higher assembly item and make alternate selections for parts when the required replacement part of assembly is not immediately available.

COLUMN CALLOUT DESCRIPTION

Figure and Item - Indicates the figure number and item number of each part.

Description - Lists the name of the part and pertinent specifications (when required). Asterisks preceding the description denote the subordination of the part to the next higher assembly.

DEC Part No. - Lists the Digital part ordering number. A blank in this column indicates a Digital part number was not assigned at the time of publication.

ECO Cut-In - The notation at the top of this column indicates the ECO level of the system (option), at which the IPB was initially prepared. Subsequent ECO level designations, that modify existing parts or add new parts to the device, are inserted in the ECO Cut-In column next to the part that is added or modified.

Used On Code - Letters in this column correspond to the variation codes assigned in Figure 1. Parts with an Alpha notation(s) are used only in those option variations. A blank indicates that the part is used on all option variations.

Ref Fig No. - A cross reference between illustrations. For each Major Assembly, the number in this column denotes the figure of the next higher assembly. For all subassemblies, the number in this column denotes the figure showing additional detailed breakdown.

PART NUMBER/PART DESCRIPTION INDEX SECTION
Parts are indexed both numerically and alphabetically by description, referenced to a location within the IPB, by figure number and item number.

REVISION HISTORY

| REVISION HISTORY | | | | OTHER IPB MANUALS REFERENCED |
|------------------|-----------|-------------|------|------------------------------------|
| PRINTING | ECO LEVEL | | DATE | |
| 1st Printing | SF72 | 00000-00000 | | N/A |
| | 70-26060 | 00000-00000 | | |
| | 70-27604 | 00000-00000 | | |
| | 70-24440 | 00000-00000 | | |
| | H7869 | 00002-00002 | | |

Digital Equipment Corporation reserves the right, without notice, to make substitutions and modifications in the specifications of products documented in this manual and further reserves the right to withdraw any of these products from the market without notice.

Digital Equipment Corporation is not responsible for errors which may appear in the technical description (including illustrations and photographs) of the products covered by this manual.

None of the descriptions contained in this manual imply the granting of any license whatsoever to make, use or sell equipment constructed in accordance therewith.

Restricted Rights: Use, duplication or disclosure by the U.S. Government is subject to restrictions as set forth in subparagraph (c) (1) (ii) of the Rights in Technical Data and Computer Software clause at DFARS 252.227-2713.

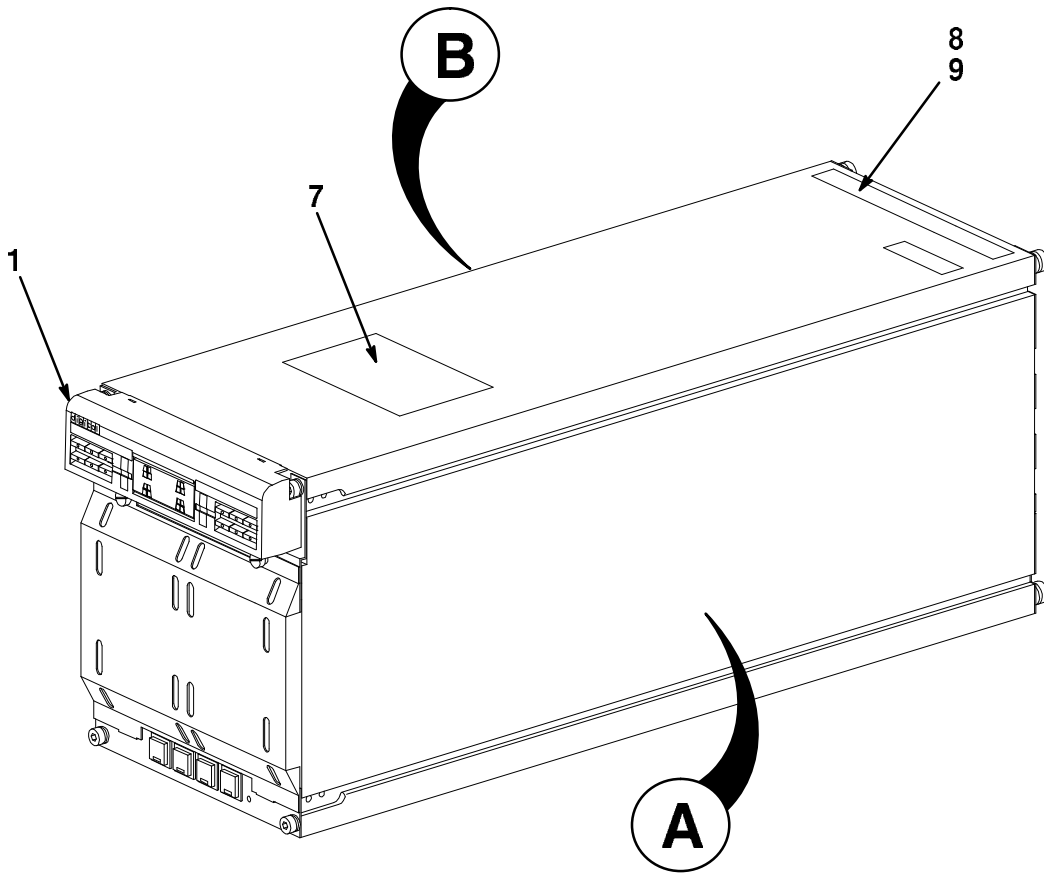
Copyright © 1991 by Digital Equipment Corporation. All rights reserved.
Printed in U.S.A.

The postage-paid READER'S COMMENTS form on the last page of this document requests your critical evaluation to assist us in preparing future documentation.

The following are trademarks of Digital Equipment Corporation :

digitalTM

DEC
DECdirect
DECUS
PDP
RF72
SF72
UNIBUS
VAX

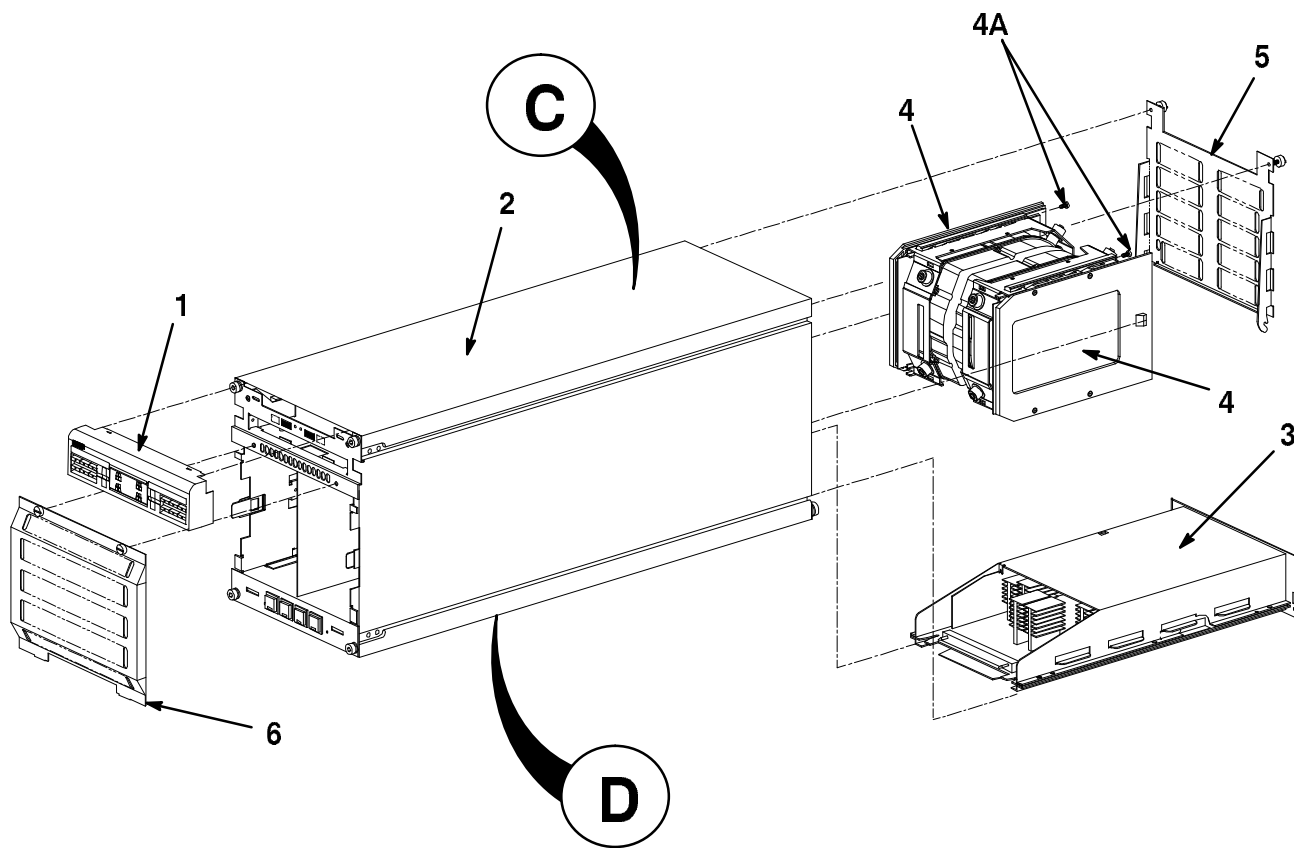


SF72-01-IL

Figure 1. SF72 Half Rack Storage Array Building Block (Sheet 1 of 6)

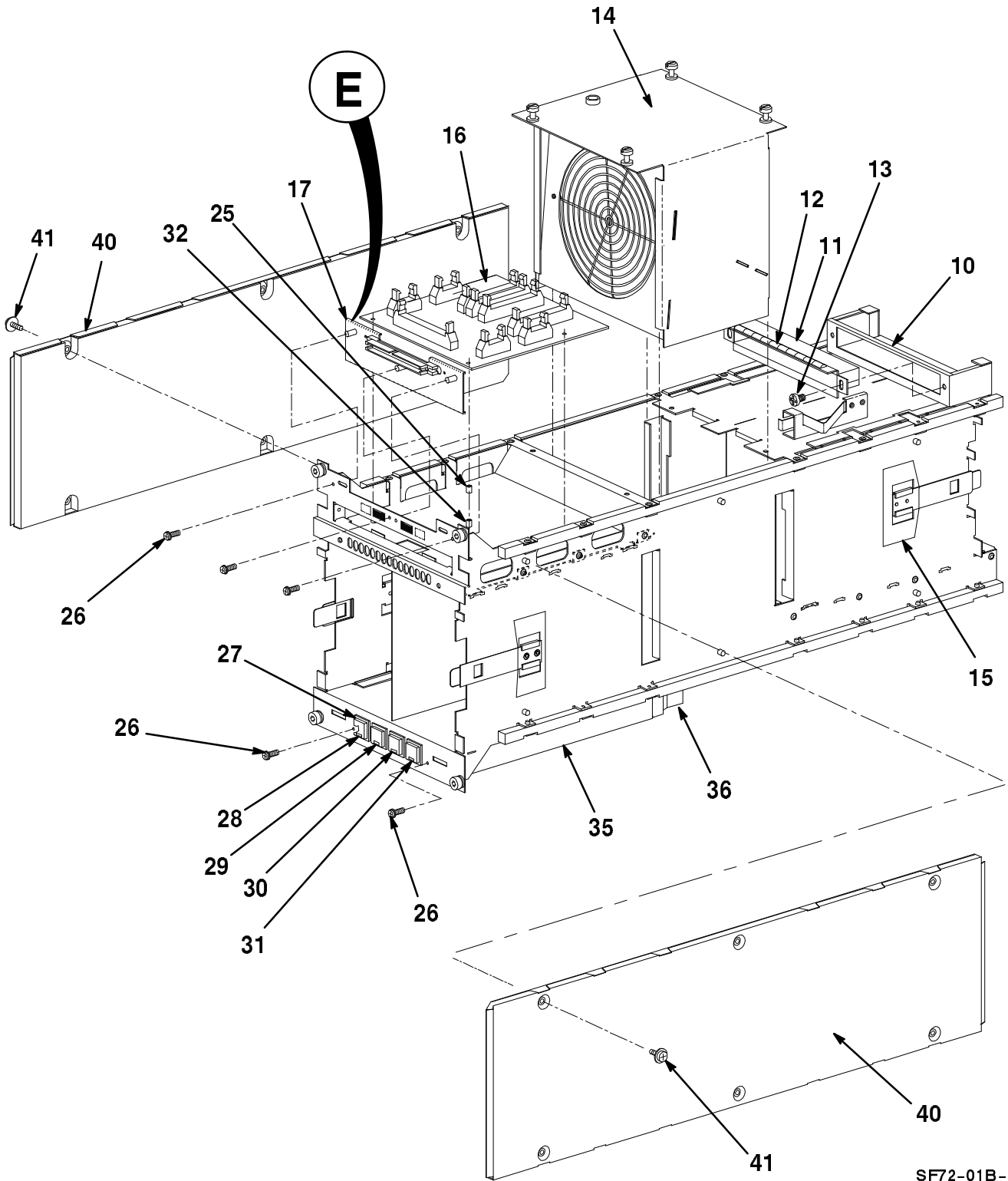


SF72-HK w/2 DRIVES AS SHOWN



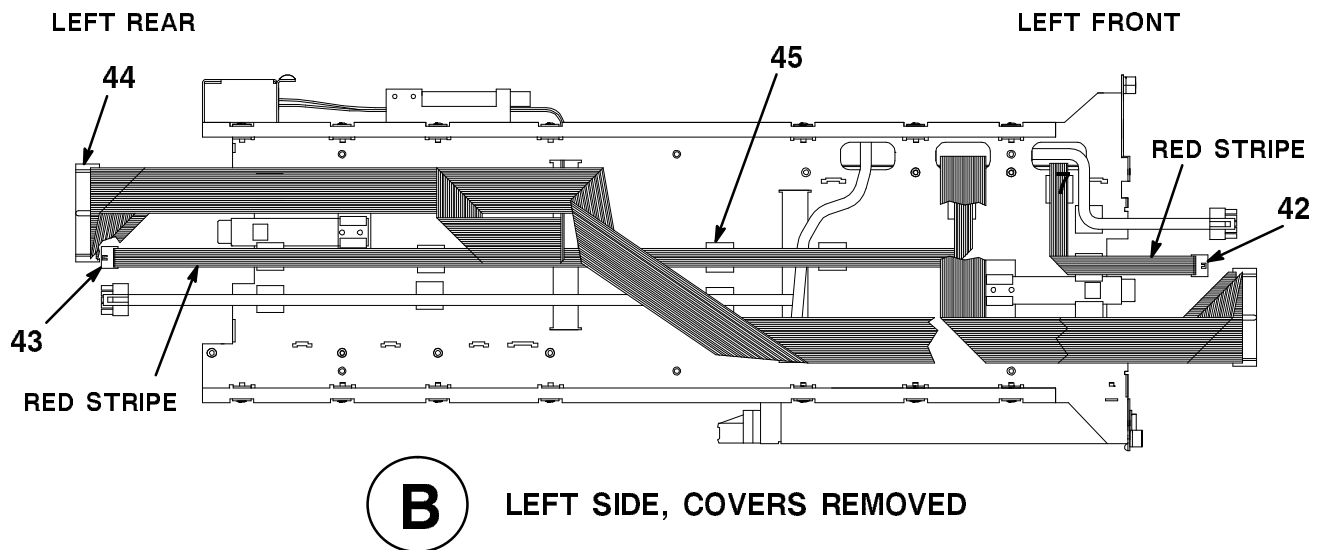
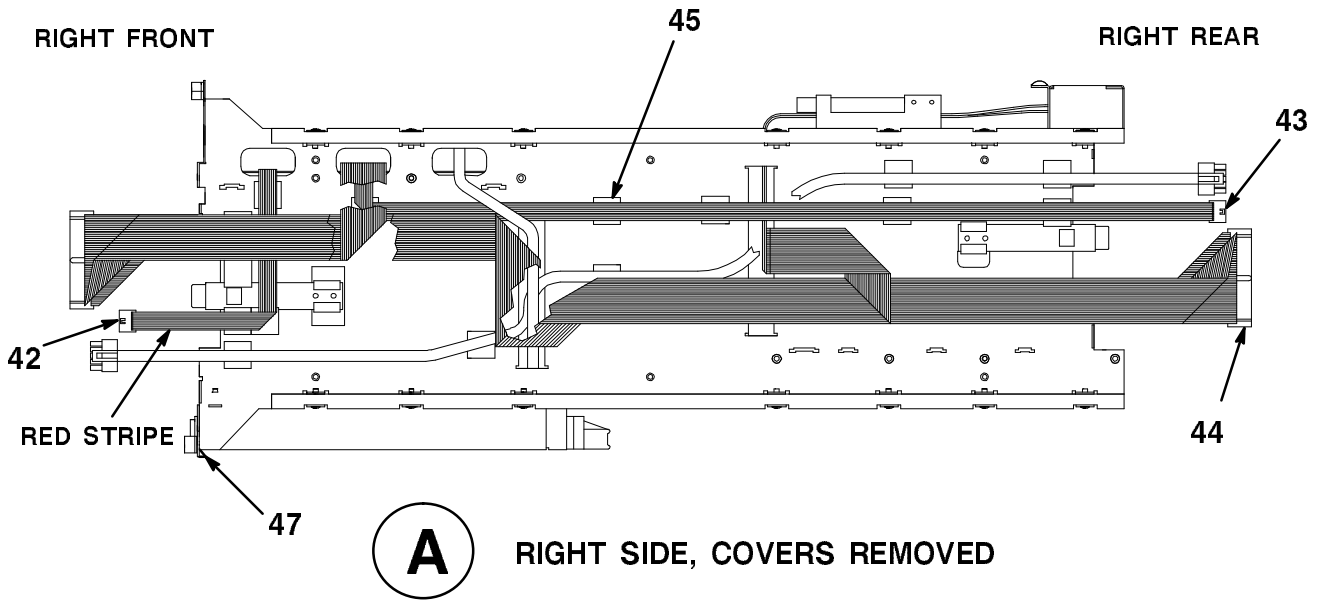
SF72-01A-IL

Figure 1. SF72 Half Rack Storage Array Building Block (Sheet 2 of 6)



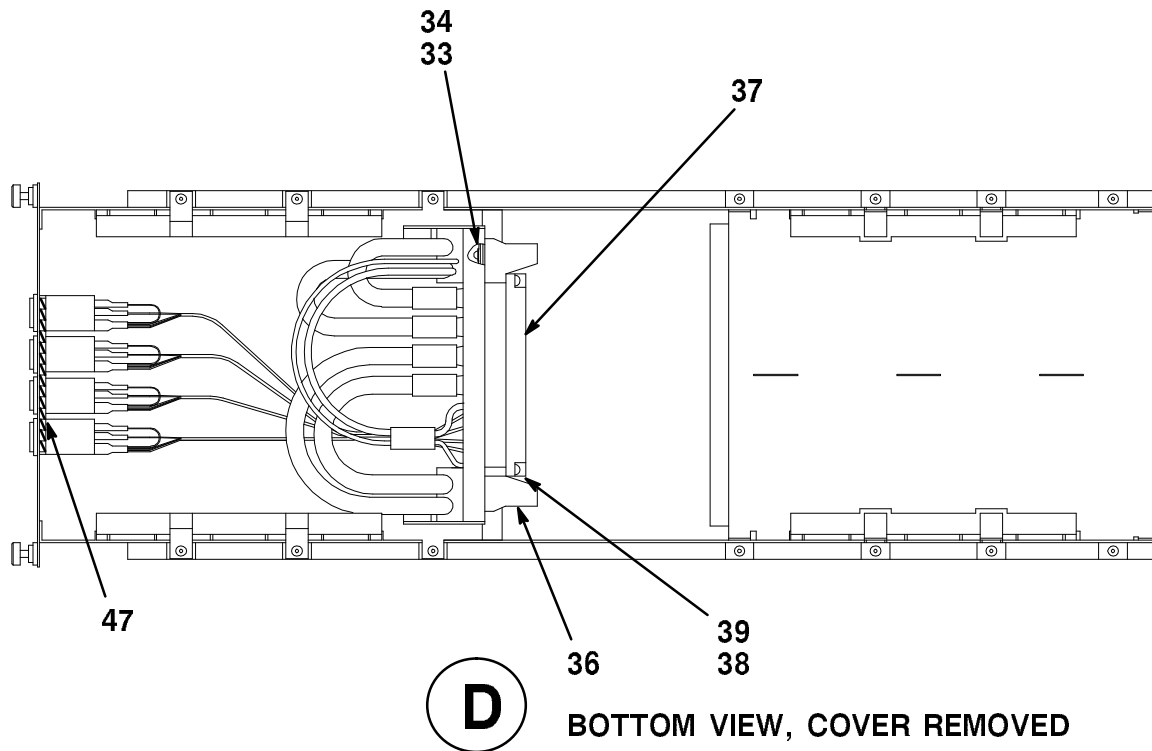
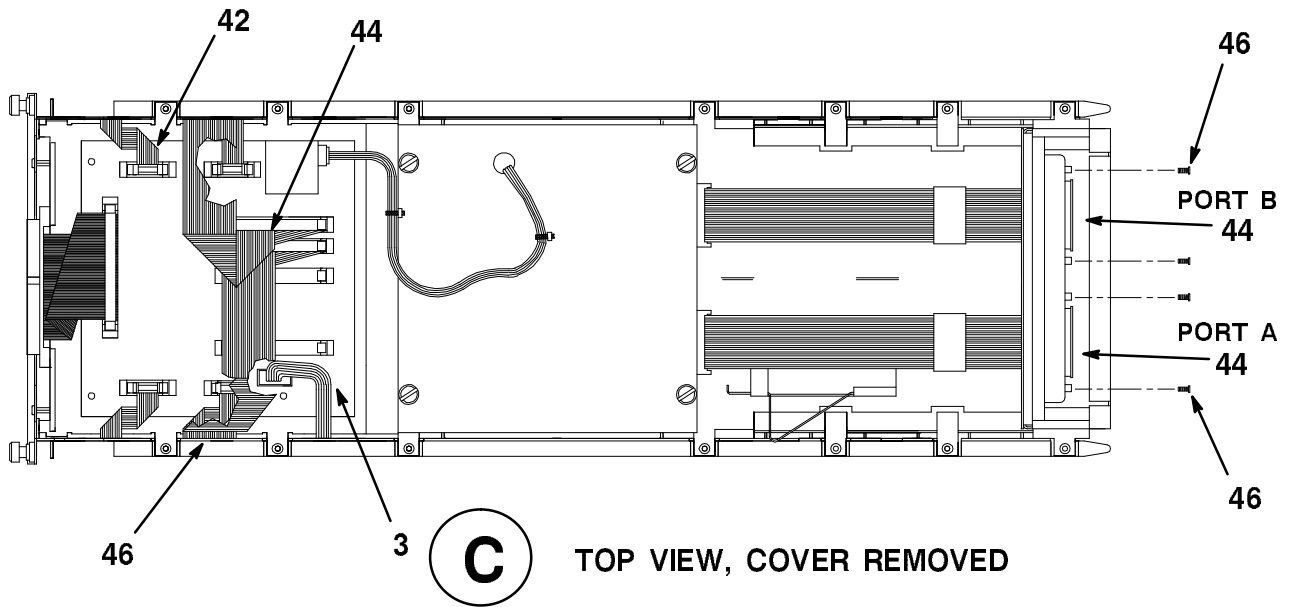
SF72-01B-IL

Figure 1. SF72 Half Rack Storage Array Building Block (Sheet 3 of 6)



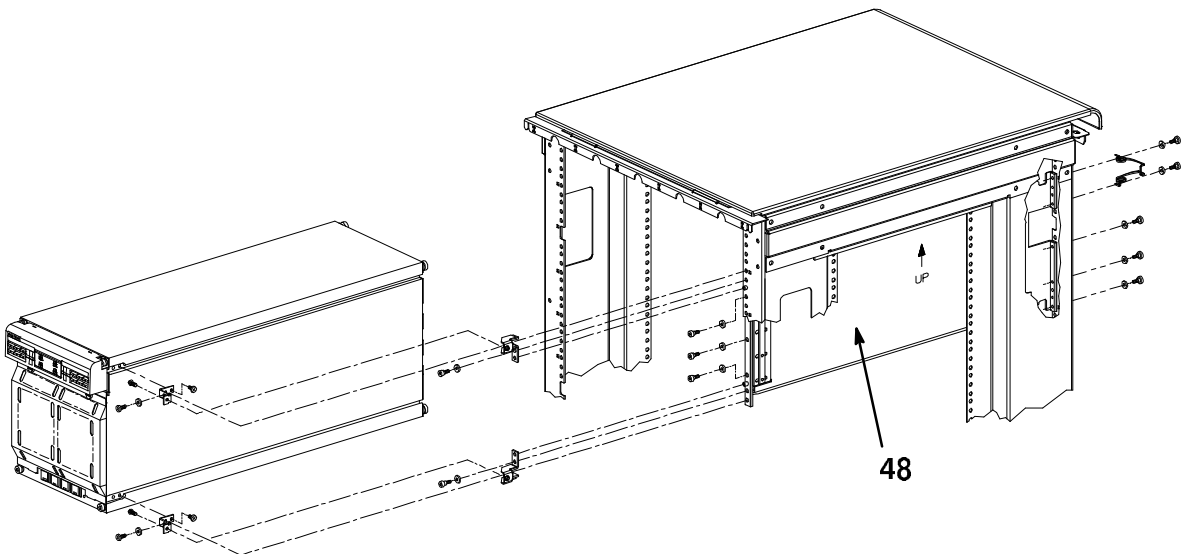
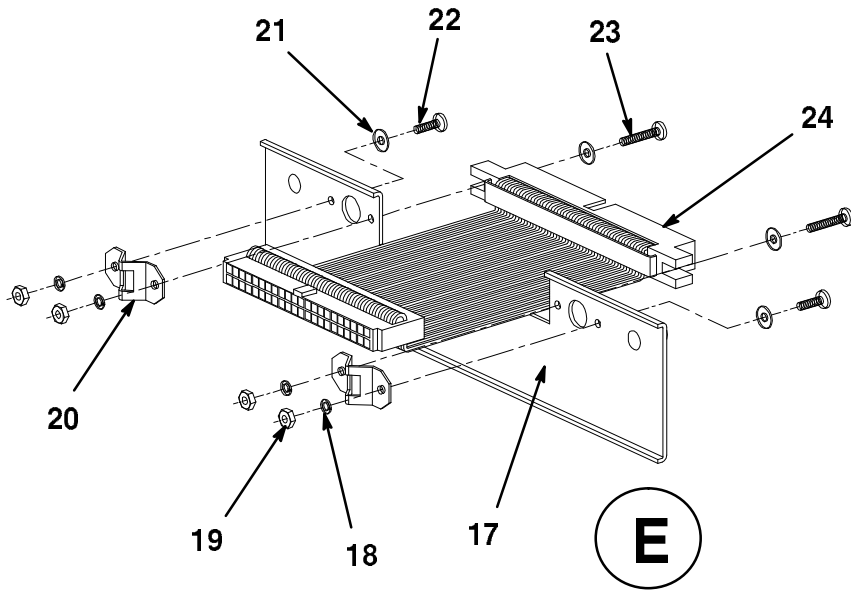
SF72-01C-IL

Figure 1. SF72 Half Rack Storage Array Building Block (Sheet 4 of 6)



SF72-01D-IL

Figure 1. SF72 Half Rack Storage Array Building Block (Sheet 5 of 6)



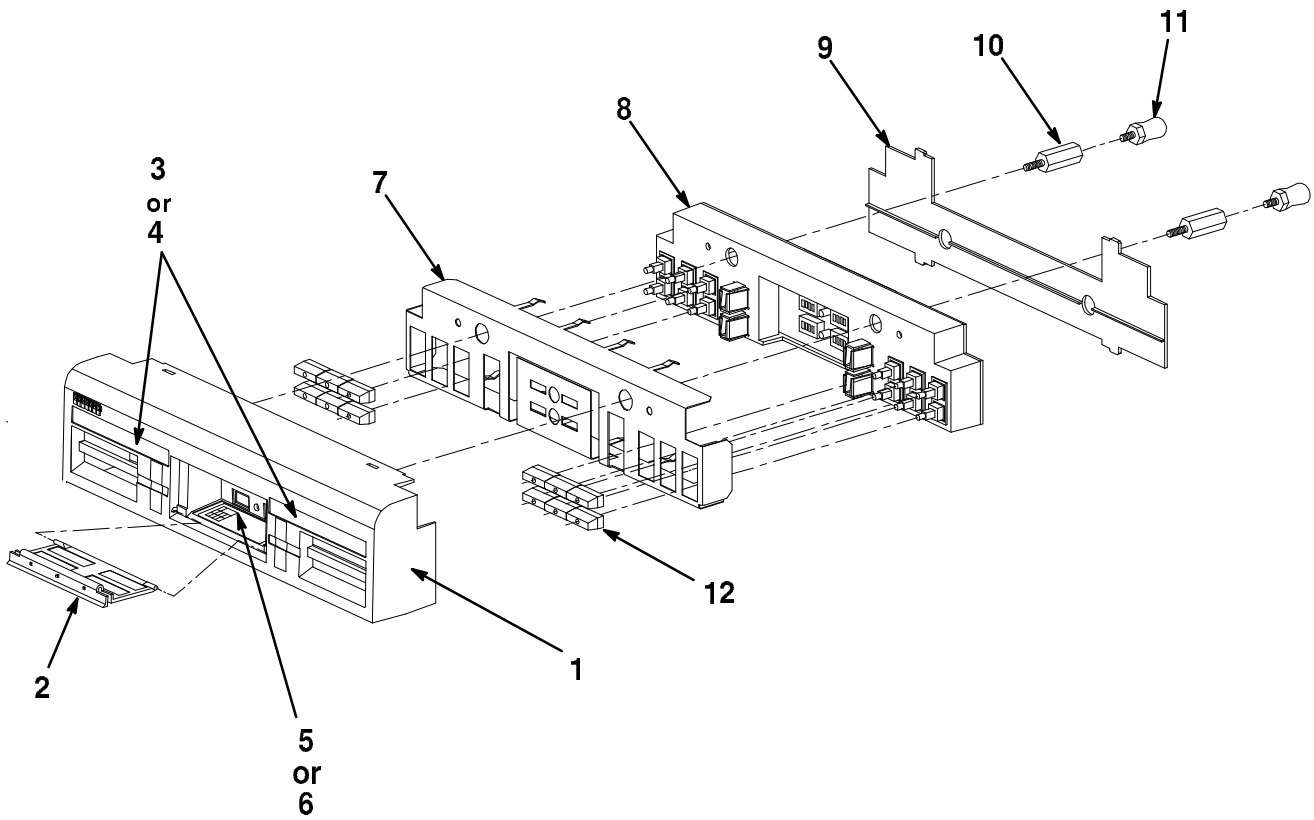
BASIC MOUNTING OF MTG
HARDWARE KIT, ITEM 48.
CABINET SIMPLIFIED FOR CLARITY.

SF72-01E-IL

Figure 1. SF72 Half Rack Storage Array Building Block (Sheet 6 of 6)

| FIG.& ITEM NO. | DESCRIPTION | DEC PART NO. | ECO CUT-IN SF72 00000 | USED ON CODE | REF FIG NO. |
|----------------------|---|--------------------|--------------------------------|--------------------|-------------------|
| 1- | SF72 HALF RACK STORAGE ARRAY BUILDING BLOCK (w/Documentation, 2 GB, 2 RF72) SF72 HALF RACK STORAGE ARRAY BUILDING BLOCK (w/Documentation, 4 GB, 4 RF72) | SF72-HK SF72-JK | | | |
| | Code A - SF72-01 (SF72-HK, Hardware Only) | SF72-01 | | A | |
| | Code B - SF72-02 (SF72-JK, Hardware Only) | SF72-02 | | B | |
| | Code C - SF72-03 (SF72, w/o Drives for KBO) | SF72-03 | | C | |
| | Code D - SF72-04 (SF72, w/o Drives) | SF72-04 | | D | |
| 1 | *OCP/BEZEL ASSEMBLY | 70-26060-01 | | | 2 |
| 2 | *Chassis, Welded | 70-23901-01 | | | |
| 3 | *POWER SUPPLY ASSEMBLY | H7869-AK | | | 5 |
| 4 | *RF72 DRIVE ASSEMBLY | 70-27604-01 | | AB | 3 |
| 4A | **Screw, Machine No. 6-32 x 5/8 | 90-06025-03 | | | |
| 5 | *Cover, Rear | 74-34378-01 | | | |
| 6 | *Cover, Front | 74-34379-01 | | | |
| 7 | *Label, "Caution-Stability, SF72" | 36-33402-01 | | | |
| 8 | *Label, "Serial/Power, Made in W. Germany" | 36-17674-61 | | C | |
| 9 | *Label, "Serial/FCC SF200/SF72" | 36-34873-01 | | ABD | |
| 10 | *Frame Assembly | 70-27638-01 | | | |
| 11 | *Bulkhead, Upper Rear | 74-39969-01 | | | |
| 12 | *Shield, REI Gasket | 12-28686-20 | | | |
| 13 | *Screw, Sems Phi Pan Hd No. 8-32 x 1/4 | 90-09545-00 | | ABD | |
| 14 | *FAN ASSEMBLY | 70-24440-01 | | | 4 |
| 15 | *Tape, 1 Inch Polyethyl | 36-14885-05 | | | |
| 16 | *Module, SF72 Transition | 54-19081-01 | | | |
| 17 | *Plate, OCP Mounting | 74-39970-01 | | | |
| 18 | *Washer, Split | 90-06686-00 | | | |
| 19 | *Nut, Hex | 90-06555-00 | | | |
| 20 | *Stud, Ball Retainer | 90-07186-00 | | | |
| 21 | *Washer, Flat | 90-08877-00 | | | |
| 22 | *Screw, Machine Pan Hd 2-56 x 5/16 | 90-06002-01 | | | |
| 23 | *Screw, Machine Pan Hd 2-56 x 1/2 | 90-06005-01 | | | |
| 24 | *Cable Assembly, 50 Cond | 17-02511-01 | | ABD | |
| 25 | *Standoff, PC Board | 90-10670-04 | | | |
| 26 | *Screw, Sems Phi Pan Hd No. 4-40 x 3/8 | 90-09984-05 | | | |
| 27 | *Switch, PB, LT 1 PDT ALT | 12-12717-13 | | | |
| 28 | *Cap, PC SW, w/Lt. Black "LF" | 12-14027-14 | | | |
| 29 | *Cap, PC SW, w/Lt. Black "LR" | 12-14027-15 | | | |
| 30 | *Cap, PB SW, w/Lt. Black "RR" | 12-14027-12 | | | |
| 31 | *Cap, PB SW, w/Lt. Black "RF" | 12-14027-13 | | | |
| 32 | *Standoff, PC Board | 90-10670-04 | | | |
| 33 | *Washer, Plastic Retainer | 12-27493-01 | | | |
| 34 | *Screw, Sems Phi Pan Hd No. 6-32 x 3/8 | 90-09984-00 | | | |

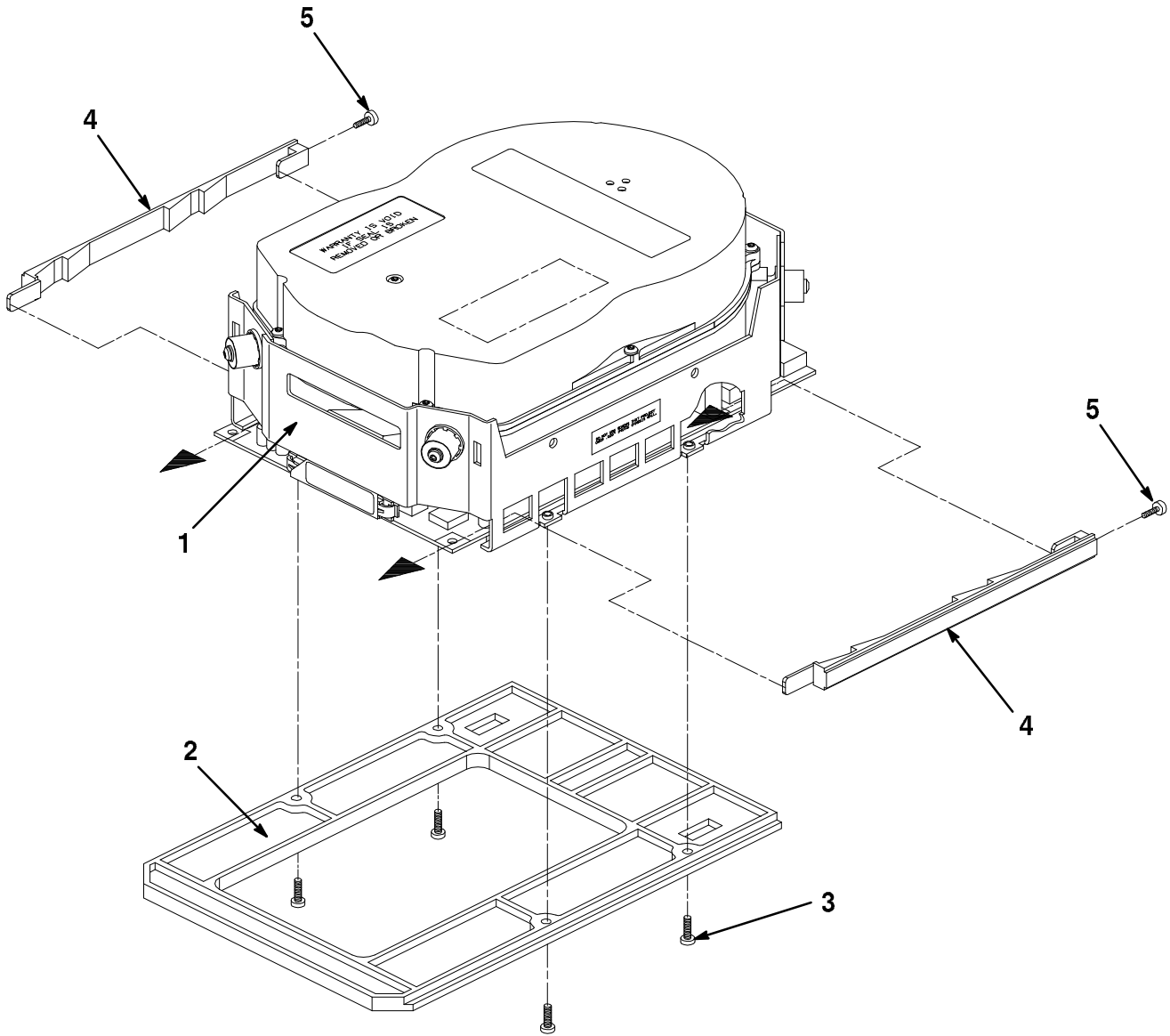
| FIG. & ITEM NO. | DESCRIPTION | DEC PART NO. ^A | ECO CUT-IN SF72 00000 | USED ON CODE | REF FIG NO. |
|-----------------------|--|------------------------------|--------------------------------|--------------------|-------------------|
| 1- | | | | | |
| 35 | *Frame, Lower Cover | 74-35094-01 | | | |
| 36 | *Housing, Connector Alignment | 74-34381-01 | | | |
| 37 | *Harness Assembly, Wire | 17-02389-01 | | | |
| 38 | *Screw, Machine No. 4-40 x 1/2 | 90-06013-01 | | | |
| 39 | *Adhesive, Sealant Lo-Strength Thread Lock | 49-01344-00 | | | |
| 40 | *Cover Assembly, Side | 70-24445-01 | | | |
| 41 | *Screw, Sems Phi Pan Hd No. 6-32 x 1/4 | 90-00049-01 | | | |
| 42 | *Cable Assembly, Flat 10 Cond 28 AWG | 17-01936-03 | | | |
| 43 | *Cable Assembly, Flat 10 Cond 28 AWG | 17-01936-04 | | | |
| 44 | *Cable Assembly, Flat 50 Cond 28 AWG | 17-02994-01 | | | |
| 45 | *Tape, Foam Double Adhesive Back | 36-25021-05 | | | |
| 46 | *Screw, Pan Head Machine M2.5 x 5mm | 90-10959-01 | | | |
| 47 | *Strip, Contact Ground 3.465 Inch | 12-28434-07 | | | |
| 48 | *Kit, Mounting Hardware | 70-27632-01 | | | |



SF72-02-IL

Figure 2. OCP/Bezel Assembly

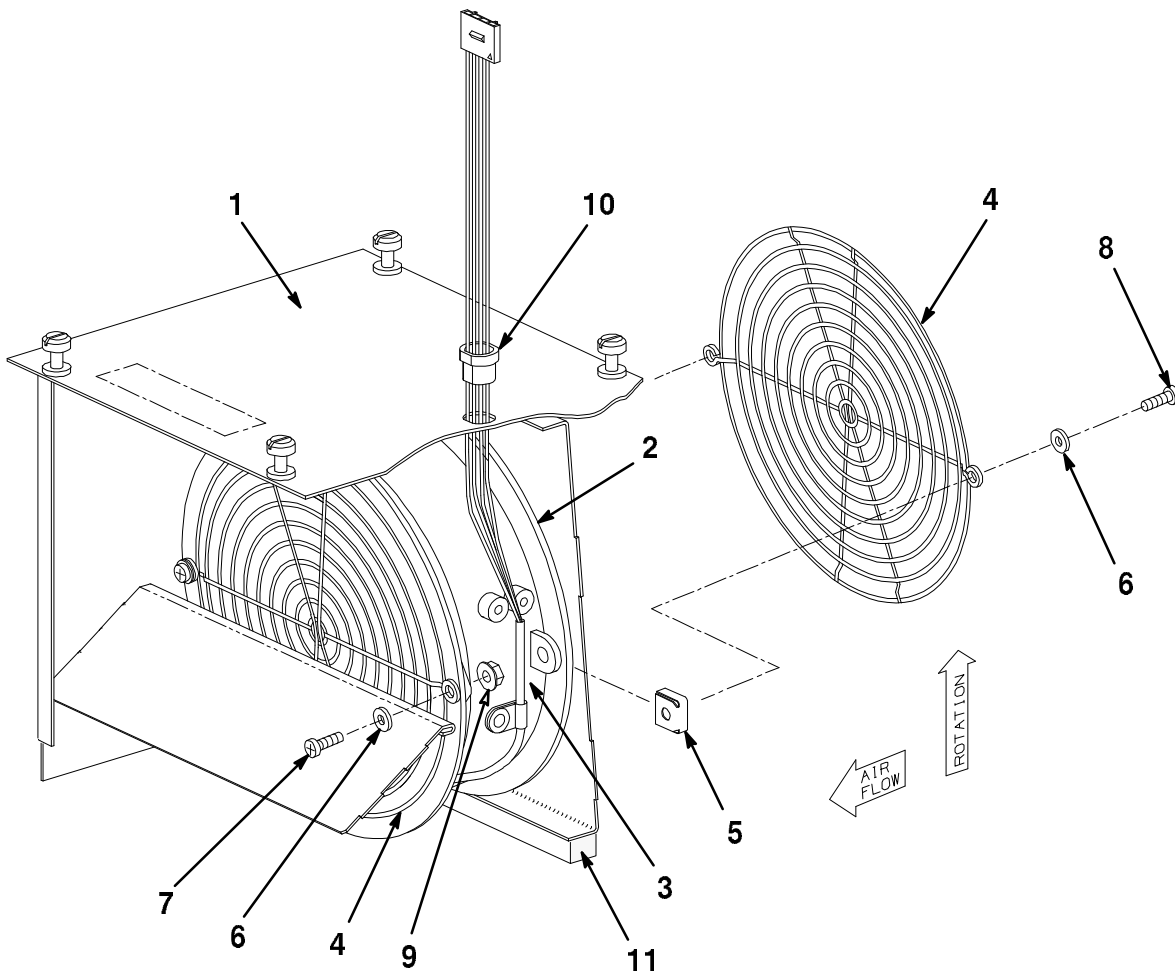
| FIG. & ITEM NO. | DESCRIPTION | DEC PART NO. ^A | ECO CUT-IN 70-26060 00000 | USED ON CODE | REF FIG NO. |
|-----------------------|--|------------------------------|------------------------------------|--------------------|-------------------|
| 2- | OCP/BEZEL ASSEMBLY | 70-26060-01 | | | 1 |
| 1 | * Bezel Subassembly | 70-26061-01 | | | |
| 2 | * Door | 74-40055-01 | | | |
| 3 | * Label, "SF-71 OCP" (English) | 36-32399-01 | | | |
| 4 | * Label, "SF-71 OCP" (Non-English) | 36-32399-02 | | | |
| 5 | * Label, "SF-71 OCP Door Switch" (English) | 36-32709-01 | | | |
| 6 | * Label, "SF-71 OCP Door Switch" (Non-English) | 36-32709-02 | | | |
| 7 | * Shield | 74-40056-01 | | | |
| 8 | * Retainer Assembly | 70-26062-01 | | | |
| 9 | * Cover, OCP Back | 74-37072-01 | | | |
| 10 | * Standoff, Male/Female Hex 4-40 x 5/8 | 90-00001-45 | | | |
| 11 | * Stud, Ball Male Thread | 90-09941-02 | | | |
| 12 | * Keycap, OCP Light Gray | 74-35101-01 | | | |



SF72-03-IL

Figure 3. RF72 Drive Assembly

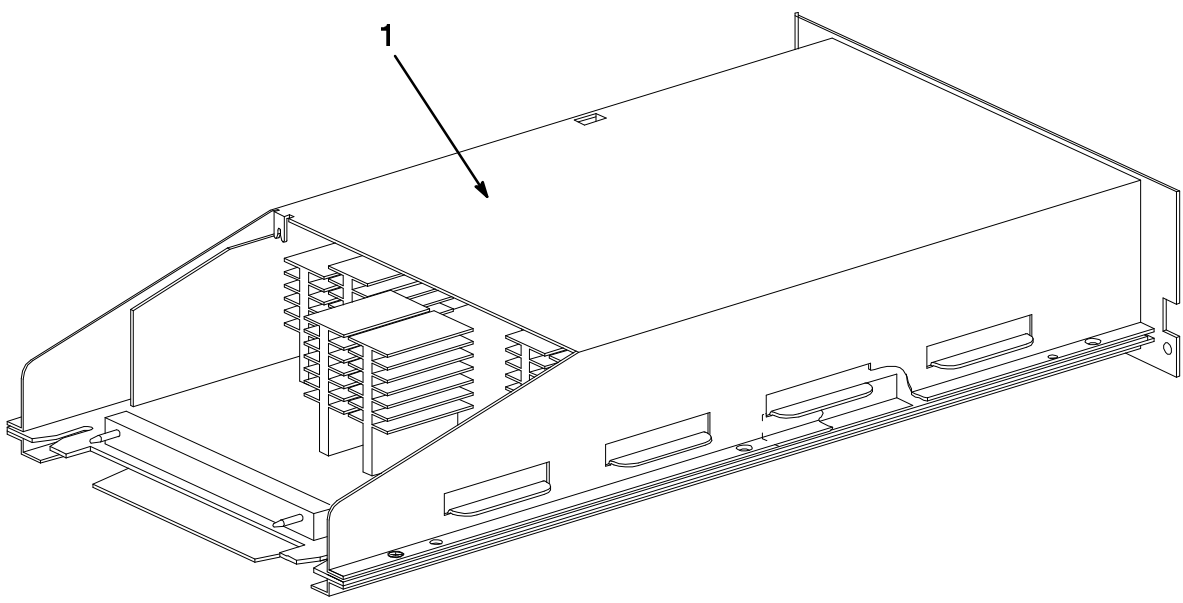
| FIG. & ITEM NO. | DESCRIPTION | DEC PART NO. ^A | ECO CUT-IN 70-27604 00000 | USED ON CODE | REF FIG NO. |
|-----------------------|---|---------------------------------|------------------------------------|--------------------|-------------------|
| 3- | RF72 DRIVE ASSEMBLY | 70-27604-01 | | | 1 |
| 1 | *Drive Assembly, RF72 | RF72-EA | | | |
| 2 | *Plate, Skid | 74-25652-02 | | | |
| 3 | *Screw, Machine Phl Pan Hd No. 6-32 x 1/4 | 90-06020-01 | | | |
| 4 | *Wedge, Drive | 74-40798-01 | | | |
| 5 | *Screw, Machine No. 6-32 x 5/8 | 90-06025-03 | | | |



SF72-04-IL

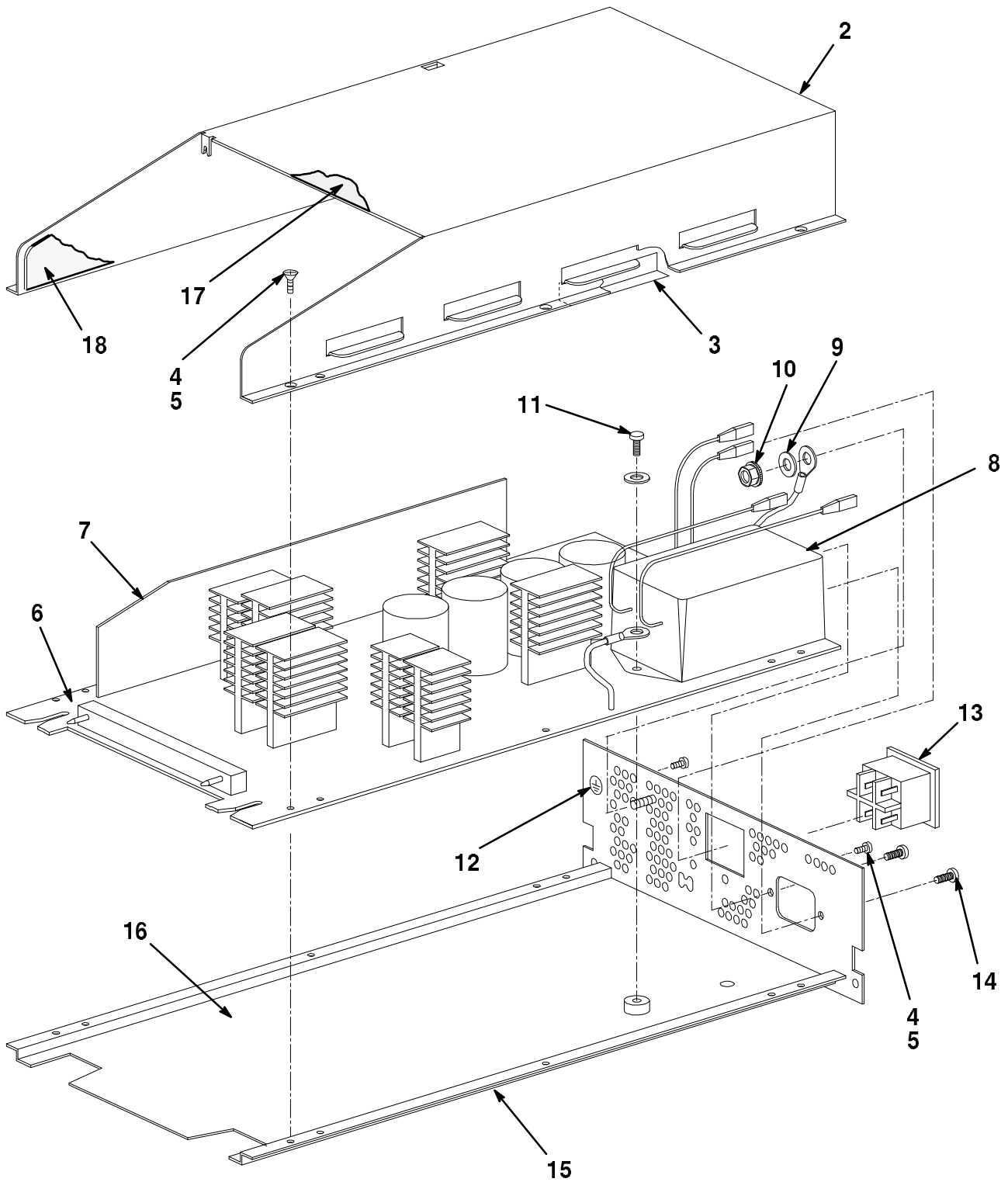
Figure 4. Fan Assembly

| FIG. & ITEM NO. | DESCRIPTION | DEC PART NO. ^A | ECO CUT-IN 70-24440 00000 | USED ON CODE | REF FIG NO. |
|-----------------------|---|------------------------------|------------------------------------|--------------------|-------------------|
| 4- | FAN ASSEMBLY | 70-24440-01 | | | 1 |
| 1 | *Bracket Weldment, Fan | 70-24439-01 | | | |
| 2 | *Gasket, Foam 1/8 Inch | 74-35110-01 | | | |
| 3 | *Fan, Tube Axial 6.0 Inch 12V DC | 12-23374-06 | | | |
| 4 | *Guard, Fan | 12-12561-00 | | | |
| 5 | *Clip, Fan Mounting | 90-09165-00 | | | |
| 6 | *Washer, Flat | 90-06659-00 | | | |
| 7 | *Screw, Machine Phi Pan Hd No. 6-32 x 5/8 | 90-06025-01 | | | |
| 8 | *Screw, Machine Phi Pan Hd No 6-32 x 3/4 | 90-06026-01 | | | |
| 9 | *Nut, Kep No. 6-32 | 90-06560-00 | | | |
| 10 | *Bushing, Strain Relief | 90-10212-01 | | | |
| 11 | *Foam, Tape 3/8 Inch Black | 90-08274-00 | | | |



SF72-05-IL

Figure 5. Power Supply Assembly (Sheet 1 of 2)



SF72-05A-IL

Figure 5. Power Supply Assembly (Sheet 2 of 2)

| FIG. & ITEM NO. | DESCRIPTION | DEC PART NO. | ECO CUT-IN H7869 00002 | USED ON CODE | REF FIG NO. |
|-----------------|---|--------------|------------------------|--------------|-------------|
| 5- | POWER SUPPLY ASSEMBLY | H7869-AK | | | 1 |
| 1 | *POWER SUPPLY ASSEMBLY (30-26349-01) | 70-24873-01 | | | |
| 2 | **Case, Upper | 74-33788-01 | | | |
| 3 | **Tape, Teflon Adhesive | 49-01090-00 | | | |
| 4 | **Screw, Machine Phi Flat Hd No. 4-40 x 1/4 | 90-06009-02 | | | |
| 5 | **Sealant, Adhesive | 49-01344-00 | | | |
| 6 | **Module, ISIS Power Supply | 54-18403-01 | | | |
| 7 | **Module, ISIS Logic | 54-18399-01 | | | |
| 8 | **Filter, EMI Line (6/3A, 120/240V) (LF1) | 12-28930-01 | | | |
| 9 | **Washer, Flat | 90-06659-00 | | | |
| 10 | **Nut, Kep No. 6-32 x 5/16 | 90-06560-00 | | | |
| 11 | **Screw, Sems Phi Pan Hd No. 6-32 x 1/2 | 90-10174-03 | | | |
| 12 | **Label, "Ground Symbol" | 36-12680-02 | | | |
| 13 | **Switch, Rocker DPST On-None-On (S1) | 12-22355-10 | | | |
| 14 | **Screw, Sems Phi Pan Hd No. 6-32 x 3/8 | 90-09984-00 | | | |
| 15 | **Power Supply Weldment | 70-24437-01 | | | |
| 16 | **Insulator, Power Supply Lower | 74-35106-01 | | | |
| 17 | **Insulator, Power Supply Upper | 74-35106-03 | | | |
| 18 | **Insulator, Daughter Card | 74-35106-02 | | | |

Ω

THIS PAGE INTENTIONALLY LEFT BLANK

PART NUMBER/DESCRIPTION INDEX 

INDEX BY DEC PART NUMBER
SF72 STORAGE ARRAY BUILDING BLOCK

| PART NO. | DESCRIPTION | FIG NO. | ITEM NO. |
|-------------|--|------------|-------------|
| 12-12561-00 | Guard, Fan | 4 | 4 |
| 12-12717-13 | Switch, PB, LT 1 PDT ALT | 1 | 27 |
| 12-14027-12 | Cap, PB SW, w/Lt. Black "RR" | 1 | 30 |
| 12-14027-13 | Cap, PB SW, w/Lt. Black "RF" | 1 | 31 |
| 12-14027-14 | Cap, PC SW, w/Lt. Black "LF" | 1 | 28 |
| 12-14027-15 | Cap, PC SW, w/Lt. Black "LR" | 1 | 29 |
| 12-22355-10 | Switch, Rocker DPST On-None-On (S1) | 5 | 13 |
| 12-23374-06 | Fan, Tube Axial 6.0 Inch 12V DC | 4 | 3 |
| 12-27493-01 | Washer, Plastic Retainer | 1 | 33 |
| 12-28434-07 | Strip, Contact Ground 3.465 Inch | 1 | 47 |
| 12-28686-20 | Shield, REI Gasket | 1 | 12 |
| 12-28930-01 | Filter, EMI Line (6/3A, 120/240V) (LF1) | 5 | 8 |
| 17-01936-03 | Cable Assembly, Flat 10 Cond 28 AWG | 1 | 42 |
| 17-01936-04 | Cable Assembly, Flat 10 Cond 28 AWG | 1 | 43 |
| 17-02389-01 | Harness Assembly, Wire | 1 | 37 |
| 17-02511-01 | Cable Assembly, 50 Cond | 1 | 24 |
| 17-02994-01 | Cable Assembly, Flat 50 Cond 28 AWG | 1 | 44 |
| 36-12680-02 | Label, "Ground Symbol" | 5 | 12 |
| 36-14885-05 | Tape, 1 Inch Polyethyl | 1 | 15 |
| 36-17674-61 | Label, "Serial/Power, Made in W. Germany" | 1 | 8 |
| 36-25021-05 | Tape, Foam Double Adhesive Back | 1 | 45 |
| 36-32399-01 | Label, "SF-71 OCP" (English) | 2 | 3 |
| 36-32399-02 | Label, "SF-71 OCP" (Non-English) | 2 | 4 |
| 36-32709-01 | Label, "SF-71 OCP Door Switch" (English) | 2 | 5 |
| 36-32709-02 | Label, "SF-71 OCP Door Switch" (Non-English) | 2 | 6 |
| 36-33402-01 | Label, "Caution-Stability, SF72" | 1 | 7 |
| 36-34873-01 | Label, "Serial/FCC SF200/SF72" | 1 | 9 |
| 49-01090-00 | Tape, Teflon Adhesive | 5 | 3 |
| 49-01344-00 | Sealant, Adhesive | 5 | 5 |
| 49-01344-00 | Adhesive, Sealant Lo-Strength Thread Lock | 1 | 39 |
| 54-18399-01 | Module, ISIS Logic | 5 | 7 |
| 54-18403-01 | Module, ISIS Power Supply | 5 | 6 |
| 54-19081-01 | Module, SF72 Transition | 1 | 16 |
| 70-23901-01 | Chassis, Welded | 1 | 2 |
| 70-24437-01 | Power Supply Weldment | 5 | 15 |
| 70-24439-01 | Bracket Weldment, Fan | 4 | 1 |
| 70-24440-01 | FAN ASSEMBLY | 4 | N/A |
| 70-24440-01 | FAN ASSEMBLY | 1 | 14 |
| 70-24445-01 | Cover Assembly, Side | 1 | 40 |
| 70-24873-01 | POWER SUPPLY ASSEMBLY (30-26349-01) | 5 | 1 |
| 70-26060-01 | OCP/BEZEL ASSEMBLY | 2 | N/A |
| 70-26060-01 | OCP/BEZEL ASSEMBLY | 1 | 1 |
| 70-26061-01 | Bezel Subassembly | 2 | 1 |
| 70-26062-01 | Retainer Assembly | 2 | 8 |
| 70-27604-01 | RF72 DRIVE ASSEMBLY | 1 | 4 |
| 70-27604-01 | RF72 DRIVE ASSEMBLY | 3 | N/A |
| 70-27632-01 | Kit, Mounting Hardware | 1 | 48 |
| 70-27638-01 | Frame Assembly | 1 | 10 |

INDEX BY DEC PART NUMBER
SF72 STORAGE ARRAY BUILDING BLOCK

| PART NO. | DESCRIPTION | FIG NO. | ITEM NO. |
|-------------|---|------------|-------------|
| 74-25652-02 | Plate, Skid | 3 | 2 |
| 74-33788-01 | Case, Upper | 5 | 2 |
| 74-34378-01 | Cover, Rear | 1 | 5 |
| 74-34379-01 | Cover, Front | 1 | 6 |
| 74-34381-01 | Housing, Connector Alignment | 1 | 36 |
| 74-35094-01 | Frame, Lower Cover | 1 | 35 |
| 74-35101-01 | Keycap, OCP Light Gray | 2 | 12 |
| 74-35106-01 | Insulator, Power Supply Lower | 5 | 6 |
| 74-35106-02 | Insulator, Daughter Card | 5 | 18 |
| 74-35106-03 | Insulator, Power Supply Upper | 5 | 17 |
| 74-35110-01 | Gasket, Foam 1/8 Inch | 4 | 2 |
| 74-37072-01 | Cover, OCP Back | 2 | 9 |
| 74-39969-01 | Bulkhead, Upper Rear | 1 | 11 |
| 74-39970-01 | Plate, OCP Mounting | 1 | 17 |
| 74-40055-01 | Door | 2 | 2 |
| 74-40056-01 | Shield | 2 | 7 |
| 74-40798-01 | Wedge, Drive | 3 | 4 |
| | | | |
| 90-00001-45 | Standoff, Male/Female Hex 4-40 x 5/8 | 2 | 10 |
| 90-00049-01 | Screw, Sems Phi Pan Hd No. 6-32 x 1/4 | 1 | 41 |
| 90-06002-01 | Screw, Machine Pan Hd 2-56 x 5/16 | 1 | 22 |
| 90-06005-01 | Screw, Machine Pan Hd 2-56 x 1/2 | 1 | 23 |
| 90-06009-02 | Screw, Machine Phi Flat Hd No. 4-40 x 1/4 | 5 | 4 |
| 90-06013-01 | Screw, Machine No. 4-40 x 1/2 | 1 | 38 |
| 90-06020-01 | Screw, Machine Phi Pan Hd No. 6-32 x 1/4 | 3 | 3 |
| 90-06025-01 | Screw, Machine Phi Pan Hd No. 6-32 x 5/8 | 4 | 7 |
| 90-06025-03 | Screw, Machine No. 6-32 x 5/8 | 3 | 5 |
| 90-06025-03 | Screw, Machine No. 6-32 x 5/8 | 1 | 4A |
| 90-06026-01 | Screw, Machine Phi Pan Hd No 6-32 x 3/4 | 4 | 8 |
| | | | |
| 90-06555-00 | Nut, Hex | 1 | 19 |
| 90-06560-00 | Nut, Kep No. 6-32 | 4 | 9 |
| 90-06560-00 | Nut, Kep No. 6-32 x 5/16 | 5 | 10 |
| 90-06659-00 | Washer, Flat | 4 | 6 |
| 90-06659-00 | Washer, Flat | 5 | 9 |
| 90-06686-00 | Washer, Split | 1 | 18 |
| 90-07186-00 | Stud, Ball Retainer | 1 | 20 |
| 90-08274-00 | Foam, Tape 3/8 Inch Black | 4 | 11 |
| 90-08877-00 | Washer, Flat | 1 | 21 |
| 90-09165-00 | Clip, Fan Mounting | 4 | 5 |
| 90-09545-00 | Screw, Sems Phi Pan Hd No. 8-32 x 1/4 | 1 | 13 |
| 90-09941-02 | Stud, Ball Male Thread | 2 | 11 |
| 90-09984-00 | Screw, Sems Phi Pan Hd No. 6-32 x 3/8 | 5 | 14 |
| 90-09984-00 | Screw, Sems Phi Pan Hd No. 6-32 x 3/8 | 1 | 34 |
| 90-09984-05 | Screw, Sems Phi Pan Hd No. 4-40 x 3/8 | 1 | 26 |
| 90-10174-03 | Screw, Sems Phi Pan Hd No. 6-32 x 1/2 | 5 | 11 |
| 90-10212-01 | Bushing, Strain Relief | 4 | 10 |
| 90-10670-04 | Standoff, PC Board | 1 | 32 |
| 90-10670-04 | Standoff, PC Board | 1 | 25 |
| 90-10959-01 | Screw, Pan Head Machine M2.5 x 5mm | 1 | 46 |
| | | | |
| H7869-AK | POWER SUPPLY ASSEMBLY | 1 | 3 |
| H7869-AK | POWER SUPPLY ASSEMBLY | 5 | N/A |
| | | | |
| RF72-EA | Drive Assembly, RF72 | 3 | 1 |

INDEX BY DEC PART NUMBER
SF72 STORAGE ARRAY BUILDING BLOCK

| PART NO. | DESCRIPTION | FIG NO. | ITEM NO. |
|----------|--|---------|----------|
| SF72-01 | SF72-01 (SF72-HK, Hardware Only) | 1 | N/A |
| SF72-02 | SF72-02 (SF72-JK, Hardware Only) | 1 | N/A |
| SF72-03 | SF72-03 (SF72, w/o Drives for KBO) | 1 | N/A |
| SF72-04 | SF72-04 (SF72, w/o Drives) | 1 | N/A |
| SF72-HK | SF72 HALF RACK STORAGE ARRAY BUILDING BLOCK (w/Documentation, 2 GB, 2 RF72) | 1 | N/A |
| SF72-JK | SF72 HALF RACK STORAGE ARRAY BUILDING BLOCK (w/Documentation, 4 GB, 4 RF72) | 1 | N/A |

INDEX BY DEC PART DESCRIPTION
SF72 STORAGE ARRAY BUILDING BLOCK

| DESCRIPTION | DEC PART NO. | FIG. NO. | ITEM NO. |
|--|-----------------|-------------|-------------|
| Adhesive, Sealant Lo-Strength Thread Lock | 49-01344-00 | 1 | 39 |
| Bezel Subassembly | 70-26061-01 | 2 | 1 |
| Bracket Weldment, Fan | 70-24439-01 | 4 | 1 |
| Bulkhead, Upper Rear | 74-39969-01 | 1 | 11 |
| Bushing, Strain Relief | 90-10212-01 | 4 | 10 |
| Cable Assembly, 50 Cond | 17-02511-01 | 1 | 24 |
| Cable Assembly, Flat 50 Cond 28 AWG | 17-02994-01 | 1 | 44 |
| Cable Assembly, Flat 10 Cond 28 AWG | 17-01936-04 | 1 | 43 |
| Cable Assembly, Flat 10 Cond 28 AWG | 17-01936-03 | 1 | 42 |
| Cap, PB SW, w/Lt. Black "RF" | 12-14027-13 | 1 | 31 |
| Cap, PB SW, w/Lt. Black "RR" | 12-14027-12 | 1 | 30 |
| Cap, PC SW, w/Lt. Black "LF" | 12-14027-14 | 1 | 28 |
| Cap, PC SW, w/Lt. Black "LR" | 12-14027-15 | 1 | 29 |
| Case, Upper | 74-33788-01 | 5 | 2 |
| Chassis, Welded | 70-23901-01 | 1 | 2 |
| Clip, Fan Mounting | 90-09165-00 | 4 | 5 |
| Cover Assembly, Side | 70-24445-01 | 1 | 40 |
| Cover, Front | 74-34379-01 | 1 | 6 |
| Cover, OCP Back | 74-37072-01 | 2 | 9 |
| Cover, Rear | 74-34378-01 | 1 | 5 |
| Door | 74-40055-01 | 2 | 2 |
| Drive Assembly, RF72 | RF72-EA | 3 | 1 |
| FAN ASSEMBLY | 70-24440-01 | 4 | N/A |
| FAN ASSEMBLY | 70-24440-01 | 1 | 14 |
| Fan, Tube Axial 6.0 Inch 12V DC | 12-23374-06 | 4 | 3 |
| Filter, EMI Line (6/3A, 120/240V) (LF1) | 12-28930-01 | 5 | 8 |
| Foam, Tape 3/8 Inch Black | 90-08274-00 | 4 | 11 |
| Frame Assembly | 70-27638-01 | 1 | 10 |
| Frame, Lower Cover | 74-35094-01 | 1 | 35 |
| Gasket, Foam 1/8 Inch | 74-35110-01 | 4 | 2 |
| Guard, Fan | 12-12561-00 | 4 | 4 |
| Harness Assembly, Wire | 17-02389-01 | 1 | 37 |
| Housing, Connector Alignment | 74-34381-01 | 1 | 36 |
| Insulator, Daughter Card | 74-35106-02 | 5 | 18 |
| Insulator, Power Supply Lower | 74-35106-01 | 5 | 6 |
| Insulator, Power Supply Upper | 74-35106-03 | 5 | 17 |
| Keycap, OCP Light Gray | 74-35101-01 | 2 | 12 |
| Kit, Mounting Hardware | 70-27632-01 | 1 | 48 |
| Label, "Caution-Stability, SF72" | 36-33402-01 | 1 | 7 |
| Label, "Ground Symbol" | 36-12680-02 | 5 | 12 |
| Label, "Serial/FCC SF200/SF72" | 36-34873-01 | 1 | 9 |
| Label, "Serial/Power, Made in W. Germany" | 36-17674-61 | 1 | 8 |
| Label, "SF-71 OCP Door Switch" (English) | 36-32709-01 | 2 | 5 |
| Label, "SF-71 OCP Door Switch" (Non-English) | 36-32709-02 | 2 | 6 |
| Label, "SF-71 OCP" (English) | 36-32399-01 | 2 | 3 |
| Label, "SF-71 OCP" (Non-English) | 36-32399-02 | 2 | 4 |

INDEX BY DEC PART DESCRIPTION
SF72 STORAGE ARRAY BUILDING BLOCK

| DESCRIPTION | DEC PART NO. | FIG. NO. | ITEM NO. |
|--|-----------------|-------------|-------------|
| Module, ISIS Logic | 54-18399-01 | 5 | 7 |
| Module, ISIS Power Supply | 54-18403-01 | 5 | 6 |
| Module, SF72 Transition | 54-19081-01 | 1 | 16 |
| Nut, Hex | 90-06555-00 | 1 | 19 |
| Nut, Kep No. 6-32 | 90-06560-00 | 4 | 9 |
| Nut, Kep No. 6-32 x 5/16 | 90-06560-00 | 5 | 10 |
| OCP/BEZEL ASSEMBLY | 70-26060-01 | 2 | N/A |
| OCP/BEZEL ASSEMBLY | 70-26060-01 | 1 | 1 |
| Plate, OCP Mounting | 74-39970-01 | 1 | 17 |
| Plate, Skid | 74-25652-02 | 3 | 2 |
| POWER SUPPLY ASSEMBLY | H7869-AK | 1 | 3 |
| POWER SUPPLY ASSEMBLY | H7869-AK | 5 | N/A |
| POWER SUPPLY ASSEMBLY (30-26349-01) | 70-24873-01 | 5 | 1 |
| Power Supply Weldment | 70-24437-01 | 5 | 15 |
| Retainer Assembly | 70-26062-01 | 2 | 8 |
| RF72 DRIVE ASSEMBLY | 70-27604-01 | 1 | 4 |
| RF72 DRIVE ASSEMBLY | 70-27604-01 | 3 | N/A |
| Screw, Machine No. 4-40 x 1/2 | 90-06013-01 | 1 | 38 |
| Screw, Machine No. 6-32 x 5/8 | 90-06025-03 | 1 | 4A |
| Screw, Machine No. 6-32 x 5/8 | 90-06025-03 | 3 | 5 |
| Screw, Machine Pan Hd 2-56 x 1/2 | 90-06005-01 | 1 | 23 |
| Screw, Machine Pan Hd 2-56 x 5/16 | 90-06002-01 | 1 | 22 |
| Screw, Machine Phl Flat Hd No. 4-40 x 1/4 | 90-06009-02 | 5 | 4 |
| Screw, Machine Phl Pan Hd No 6-32 x 3/4 | 90-06026-01 | 4 | 8 |
| Screw, Machine Phl Pan Hd No. 6-32 x 1/4 | 90-06020-01 | 3 | 3 |
| Screw, Machine Phl Pan Hd No. 6-32 x 5/8 | 90-06025-01 | 4 | 7 |
| Screw, Pan Head Machine M2.5 x 5mm | 90-10959-01 | 1 | 46 |
| Screw, Sems Phl Pan Hd No. 4-40 x 3/8 | 90-09984-05 | 1 | 26 |
| Screw, Sems Phl Pan Hd No. 6-32 x 1/2 | 90-10174-03 | 5 | 11 |
| Screw, Sems Phl Pan Hd No. 6-32 x 1/4 | 90-00049-01 | 1 | 41 |
| Screw, Sems Phl Pan Hd No. 6-32 x 3/8 | 90-09984-00 | 5 | 14 |
| Screw, Sems Phl Pan Hd No. 6-32 x 3/8 | 90-09984-00 | 1 | 34 |
| Screw, Sems Phl Pan Hd No. 8-32 x 1/4 | 90-09545-00 | 1 | 13 |
| Sealant, Adhesive | 49-01344-00 | 5 | 5 |
| SF72 HALF RACK STORAGE ARRAY BUILDING BLOCK (w/Documentation, 4 GB, 4 RF72) | SF72-JK | 1 | N/A |
| SF72 HALF RACK STORAGE ARRAY BUILDING BLOCK (w/Documentation, 2 GB, 2 RF72) | SF72-HK | 1 | N/A |
| SF72-01 (SF72-HK, Hardware Only) | SF72-01 | 1 | N/A |
| SF72-02 (SF72-JK, Hardware Only) | SF72-02 | 1 | N/A |
| SF72-03 (SF72, w/o Drives for KBO) | SF72-03 | 1 | N/A |
| SF72-04 (SF72, w/o Drives) | SF72-04 | 1 | N/A |
| Shield | 74-40056-01 | 2 | 7 |
| Shield, REI Gasket | 12-28686-20 | 1 | 12 |
| Standoff, Male/Female Hex 4-40 x 5/8 | 90-00001-45 | 2 | 10 |
| Standoff, PC Board | 90-10670-04 | 1 | 25 |
| Standoff, PC Board | 90-10670-04 | 1 | 32 |
| Strip, Contact Ground 3.465 Inch | 12-28434-07 | 1 | 47 |

INDEX BY DEC PART DESCRIPTION
SF72 STORAGE ARRAY BUILDING BLOCK

| DESCRIPTION | DEC PART NO. | FIG. NO. | ITEM NO. |
|-------------------------------------|-----------------|-------------|-------------|
| Stud, Ball Male Thread | 90-09941-02 | 2 | 11 |
| Stud, Ball Retainer | 90-07186-00 | 1 | 20 |
| Switch, PB, LT 1 PDT ALT | 12-12717-13 | 1 | 27 |
| Switch, Rocker DPST On-None-On (S1) | 12-22355-10 | 5 | 13 |
| | | | |
| Tape, 1 Inch Polyethyl | 36-14885-05 | 1 | 15 |
| Tape, Foam Double Adhesive Back | 36-25021-05 | 1 | 45 |
| Tape, Teflon Adhesive | 49-01090-00 | 5 | 3 |
| | | | |
| Washer, Flat | 90-06659-00 | 5 | 9 |
| Washer, Flat | 90-06659-00 | 4 | 6 |
| Washer, Flat | 90-08877-00 | 1 | 21 |
| Washer, Plastic Retainer | 12-27493-01 | 1 | 33 |
| Washer, Split | 90-06686-00 | 1 | 18 |
| Wedge, Drive | 74-40798-01 | 3 | 4 |

READER'S COMMENTS

SF72™ Storage Array Building Block
Illustrated Parts Breakdown
EK-SF72X-IP-001

1. How did you use this manual? (Circle your response.)

- (a) Installation (c) Maintenance (e) Training
(b) Operation/Use (d) Programming (f) Other (Please specify) _____

2. Did the manual meet your needs? Yes No Why? _____

3. Please rate the manual on the following categories. (Circle your response.)

| | Excellent | Good | Fair | Poor | Unacceptable |
|-------------------------|-----------|------|------|------|--------------|
| Accuracy | 5 | 4 | 3 | 2 | 1 |
| Clarity | 5 | 4 | 3 | 2 | 1 |
| Completeness | 5 | 4 | 3 | 2 | 1 |
| Illustrations, examples | 5 | 4 | 3 | 2 | 1 |
| Overall ease of use | 5 | 4 | 3 | 2 | 1 |
| Table of Content, Index | 5 | 4 | 3 | 2 | 1 |

4. What things did you like *most* about this manual? _____

5. What things did you like *least* about this manual? _____

6. Please list and describe any errors you found in the manual.

| Page | Description/Location of Error |
|-------|-------------------------------|
| _____ | _____ |
| _____ | _____ |
| _____ | _____ |
| _____ | _____ |

7. Which of the following most clearly describes your job ? (Circle your response.)

- (a) Administrative Support (e) System Manager (i) Education/Trainer
(b) Manager/Supervisor (f) Computer Operator (j) Sales/Marketing
(c) Scientist/Engineer (g) Software Support (k) Other (Please specify) _____
(d) Programmer/Analyst (h) Hardware Support

OPTIONAL INFORMATION

Name _____ Job Title _____

Street _____ Company _____

City _____ Department _____

State/Country _____ Telephone Number _____

Postal (ZIP) Code _____ Date _____

THANK YOU FOR YOUR COMMENTS AND SUGGESTIONS.

Please do not use this form to order manuals. Contact your representative at Digital Equipment Corporation or (in the USA) call our DECdirect™ department at this toll-free number : 800-258-1710