



SZ106 Storage Subsystem  
User and Installation Guide

EK-SZ106-IN-001

**First Edition, July 1992**

The information in this document is subject to change without notice and should not be construed as a commitment by Digital Equipment Corporation. Digital Equipment Corporation assumes no responsibility for any errors that may appear in this document.

Copyright © Digital Equipment Corporation 1992

All Rights Reserved.  
Printed in U.S.A.

**FCC NOTICE:** The equipment described in this manual generates, uses, and may emit radio frequency energy. The equipment has been type tested and found to comply with the limits for a Class A computing device pursuant to Subpart J of Part 15 of FCC Rules, which are designed to provide reasonable protection against such radio frequency interference when operated in a commercial environment. Operation of this equipment in a residential area may cause interference, in which case the user at his own expense may be required to take measures to correct the interference.

The following are trademarks of Digital Equipment Corporation: CompacTape, TK, TZ, VAX, VMS, and the DIGITAL logo.

# Contents

---

<b>Preface</b>	v
<b>1 User Information</b>	
1.1 Introduction . . . . .	1-1
1.2 Specifications . . . . .	1-3
1.3 Related Documentation . . . . .	1-3
<b>2 Physical Installation</b>	
2.1 Site Planning . . . . .	2-1
2.1.1 Space Requirements . . . . .	2-1
2.1.2 Power Requirements . . . . .	2-1
2.1.3 Environmental Requirements . . . . .	2-1
2.2 Setting the SCSI ID . . . . .	2-2
2.2.1 Connecting the SCSI Signal Cable . . . . .	2-4
2.2.2 Terminating the SCSI Bus . . . . .	2-4
2.2.3 Connecting the Power Cord . . . . .	2-4
<b>3 Acceptance Testing</b>	
3.1 Power-on Self-test . . . . .	3-1
<b>4 Operation</b>	
4.1 Controls and Indicators . . . . .	4-1

**Figures**

1-1	SZ106 Storage Subsystem .....	1-2
2-1	SZ106 Rear View .....	2-5

**Tables**

1-1	Specifications .....	1-3
2-1	.....	2-3

# Preface

---

## Manual Structure

This guide includes four chapters that provide the following information about the SZ106 Storage Subsystem.

- User Information
- Physical Installation
- Acceptance Testing
- Operation

# 1

## User Information

---

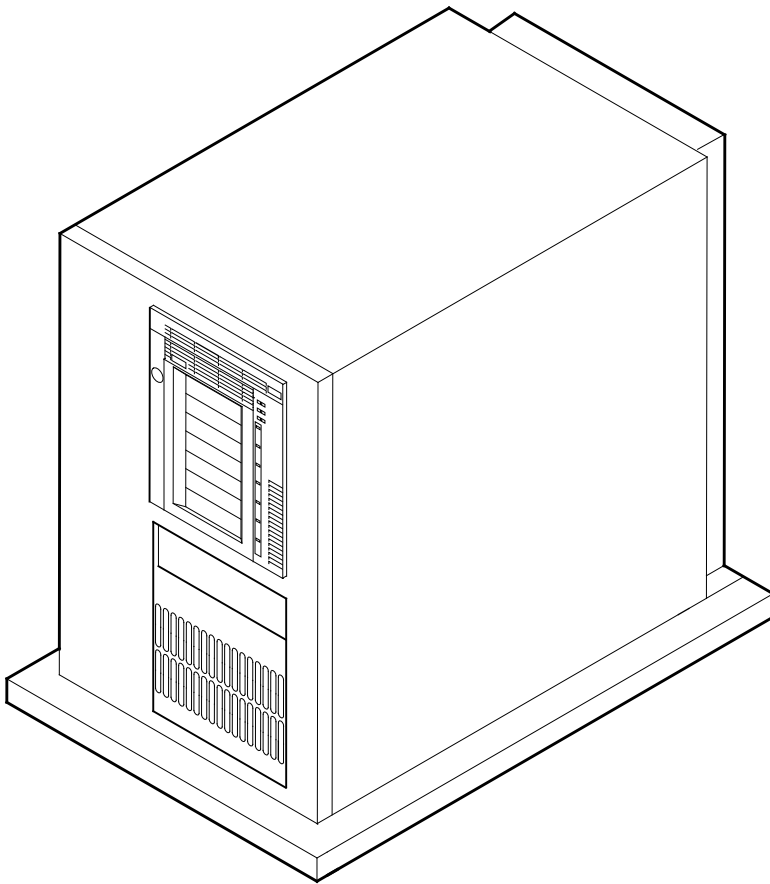
### 1.1 Introduction

The SZ106 storage subsystem (Figure 1-1):

- Can be added to any installation that uses conventional ac power
- Does not require any special site preparation

1-2 User Information

**Figure 1-1 SZ106 Storage Subsystem**



SHR-X0177A\_91-DG

## 1.2 Specifications

The following table lists the specifications of the SZ106 storage subsystem.

**Table 1-1 Specifications**

Characteristic	SZ106 Storage Subsystem
Data backup capacity	42.0 GB
Performance	800 KB/s sustained data rate
Power requirements	100-120/220-240 Vac (50/60 Hz)
Weight	90 kg (170 lb)
Height	71.12 cm (28 in)
Width	43.18 cm (17 in)
Length	86.36 cm (34 in)
Communications interface	SCSI bus
Environmental standard (operating)	10°C to 40°C (50°F to 104°F) 20 to 80% RH
Environmental standard (nonoperating)	-40°C to 66°C (-40°F to 150.8°F) 10 to 90% RH
EMI certification	Meets applicable FCC standards for Class A devices
Safety certification	Meets UL, CSA, and IEC standards
Power consumption	100 W

## 1.3 Related Documentation

See the *Tx867 Series Magazine Tape Subsystem Owner's Manual* (EK-TX867-OM) for information on the TZ867 magazine tape subsystem contained in the SZ106 subsystem.



# 2

## Physical Installation

---

### 2.1 Site Planning

Follow the requirements in this section to prepare a site for the SZ106 subsystem.

#### 2.1.1 Space Requirements

Leave enough space to remove the magazine tape subsystem from the front of the cabinet (about 1 meter).

#### 2.1.2 Power Requirements

The subsystem can operate from 100 to 120 Vac at 60 Hz, or from 220 to 240 Vac at 50 Hz.

#### 2.1.3 Environmental Requirements

The SZ106 conforms to a modified class A environment (general offices and workstations).

When the SZ106 is:

- Operating, the temperature should range from 10°C to 40°C with relative humidity of 20 to 80% noncondensing
- Not operating, the temperature should range from -40°C to 66°C with relative humidity of 10 to 90%

## 2.2 Setting the SCSI ID

Your system uses the SCSI ID to identify, or address, the SZ106 subsystem. Use these guidelines when configuring the SZ106 for use on your system:

---

<b>If you are installing the SZ106 as . . .</b>	<b>Then. . .</b>
The only SCSI device on the bus	You can leave the SCSI ID factory setting as is.
One of multiple SCSI devices on the bus	Be sure to use a SCSI ID that is unique from any other device or system ID on the SCSI bus.
The last or only device on the SCSI bus	You must terminate the bus by installing a terminator.

---

1. If you need to change the SCSI ID for the SZ106, be sure to choose a unique ID number between 0 and 7.

### **NOTE**

**Refer to the remote ID label next to the remote ID switch on the SZ106 rear panel to see what each switch does.**

Use Table 2-1 to determine the SCSI ID switch settings. Switch 2 is the most significant bit (MSB) and switch 4 is the least significant bit (LSB):

**Table 2-1**

SCSI ID	Switch 2	Switch 3	Switch 4
0	Off	Off	Off
1	Off	Off	On
2	Off	On	Off
3	Off	On	On
4	On	Off	Off
5	On	Off	On
6	On	On	Off
7	On	On	On

- To set the SCSI ID: Use a pen to push on the the three rightmost switches of the remote ID switch (top rear panel of the SZ106).

Keep in mind:

- If a setting is 1 (ON), make sure the *upper* side of the switch is pressed in.
- If a setting is 0 (OFF or OPEN), ensure the *lower* side of the switch is pressed in.

#### **CAUTION**

**Never use a pencil to press the switches on the remote ID switch. Use only a pen.**

- If your system:
  - Generates parity, the SZ106 can check for correct parity on the SCSI bus.
  - Does not generate parity, you can disable parity checking on the SZ106 subsystem. To do so, set the DISABLE PARITY switch to ON by pressing down on the upper side of the switch with a pen.

4. Place a decal identifying the SCSI ID number on the front of the SZ106 subsystem just below the loader fault indicator.

### **2.2.1 Connecting the SCSI Signal Cable**

The SZ106 storage subsystem contains one, 9-foot SCSI cable (PN: BC56H-09).

To connect the SCSI signal cable:

1. Connect one end of the SCSI cable to the upper SCSI signal connector on the SZ106 rear panel (Figure 2-1).
2. Snap the wire cable clamps into place to secure the cable.
3. Connect the other end of the SCSI signal cable to the SCSI connector on your system.

See your system documentation for system SCSI connections.

### **2.2.2 Terminating the SCSI Bus**

If the SZ106 is the last or only device on the SCSI bus, follow these steps to install the terminator:

1. Connect the SCSI terminator to the lower SCSI signal connector on the SZ106 rear panel (Figure 2-1).
2. Snap the wire cable clamps into place to secure the terminator.

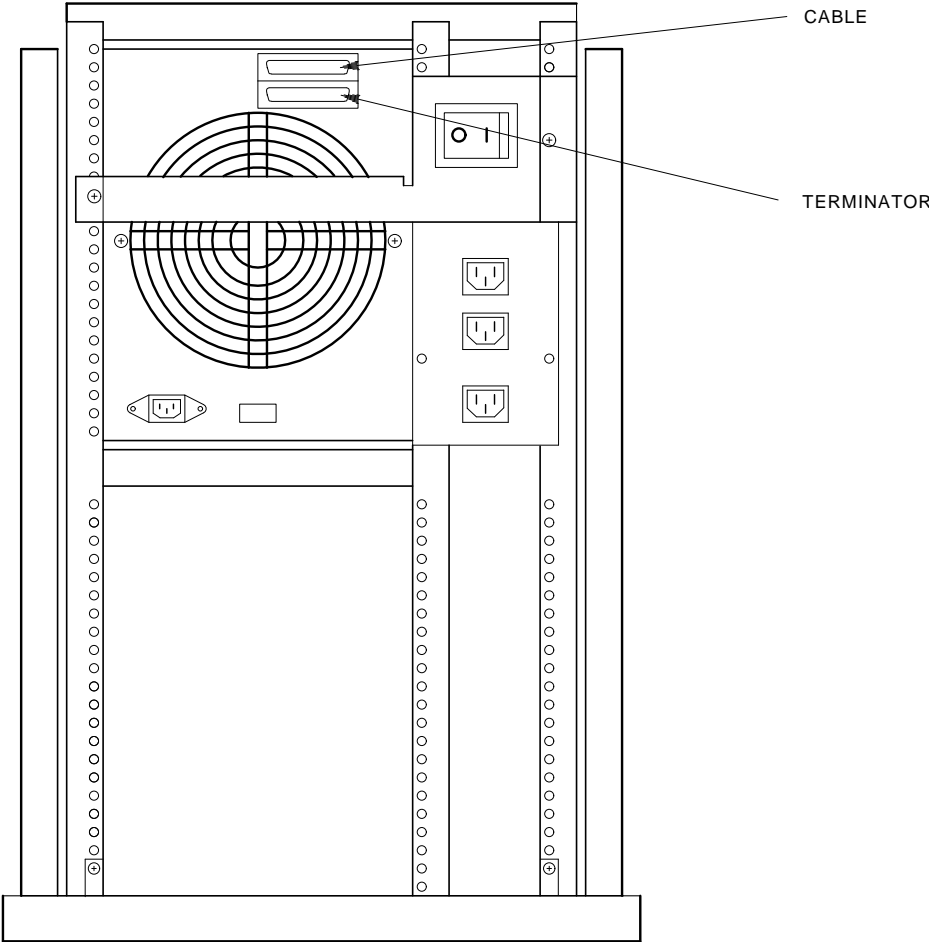
If the SZ106 is not the last or only device on the SCSI bus, be sure to install the terminator at the end of the bus.

### **2.2.3 Connecting the Power Cord**

To connect the power cord:

1. Be sure the SZ106 power switch (Figure 2-1) is set to 0.
2. Connect the power cord to the SZ106 power connector on the rear panel. Make sure the connector is fully seated.
3. Connect the other end of the power cord to a nearby ac outlet.

Figure 2-1 SZ106 Rear View



# 3

## Acceptance Testing

---

### 3.1 Power-on Self-test

See the *Tx867 Series Magazine Tape Subsystem Owners Manual* (EK–TX867–OM) for information on power-on self-test (POST) for the magazine tape subsystem.

# 4

## Operation

---

### 4.1 Controls and Indicators

Once you have verified a successful installation, see the *Tx867 Series Magazine Tape Subsystem Owners Manual* (EK-TX867-OM) for information on:

- Operating the subsystem
- Controls and indicators of the TZ867 magazine tape subsystem