

**ILLUSTRATED
PARTS
BREAKDOWN**

**660QH
PEDESTAL SYSTEM**

ILLUSTRATED PARTS BREAKDOWN (IPB)
The IPB is used to identify a part and its location in a hardware product. The document references specific item numbers in the associated parts list.

- HOW TO USE THE IPB**
1. Locate the figure containing the item of interest.
 2. Locate the number (callout) of the item of interest.
 3. Locate that item number in the associated parts list.

FORMAT
Each IPB is generally organized based on its first figure. All other assemblies and subassemblies are referenced from this figure. Each figure contains numeric callouts of all major parts (items).

PARTS LIST
Each parts list contains the following:

Figure and Item No. - Lists the figure number and its referenced numeric callout

Description - Presents the name and a brief description of the item. A single asterisk (*) preceding the description

denotes item is a subassembly to its referenced figure. A double asterisk (**) preceding the description indicates that this item is subordinate to the preceding single asterisk item.

DEC Part No. - Lists the Digital/Vendor part number. The letter in the column heading indicates the current revision level of the Engineering Drawing for the referenced figure.

ECO Cut-In - Lists the top assembly drawing number and revision level at first printing. All additional revisions to an item are listed in this column.

Used On Code - Lists letters referring to the product variation assigned in Figure 1. When this column is blank, the item is used in all variations.

Ref Fig No. - Lists a cross reference between figures within the IPB.

PART NUMBER/PART DESCRIPTION INDEX SECTION
Lists items by part number numerically, and description alphabetically. Items are also referenced to a location within the IPB by figure and item number.

REVISION HISTORY		RELATED IPB INFORMATION
PRINTING	ECO LEVEL	<p>ENCLOSURE LEVEL: EK-440AB-IP</p> <p>MASS STORAGE: EK-441AC-IP</p>
2nd Printing	660QH 00000-00004 70-25775 00006-00008	
DATE		
14-FEB-92		

Digital Equipment Corporation reserves the right, without notice, to make substitutions and modifications in the specifications of products documented in this manual and further reserves the right to withdraw any of these products from the market without notice.

Digital Equipment Corporation is not responsible for errors which may appear in the technical description (including illustrations and photographs) of the products covered by this manual.

None of the descriptions contained in this manual imply the granting of any license whatsoever to make, use or sell equipment constructed in accordance therewith.

Restricted Rights: Use, duplication or disclosure by the U.S. Government is subject to restrictions as set forth in subparagraph (c) (1) (ii) of the Rights in Technical Data and Computer Software clause at DFARS 252.227-2713.

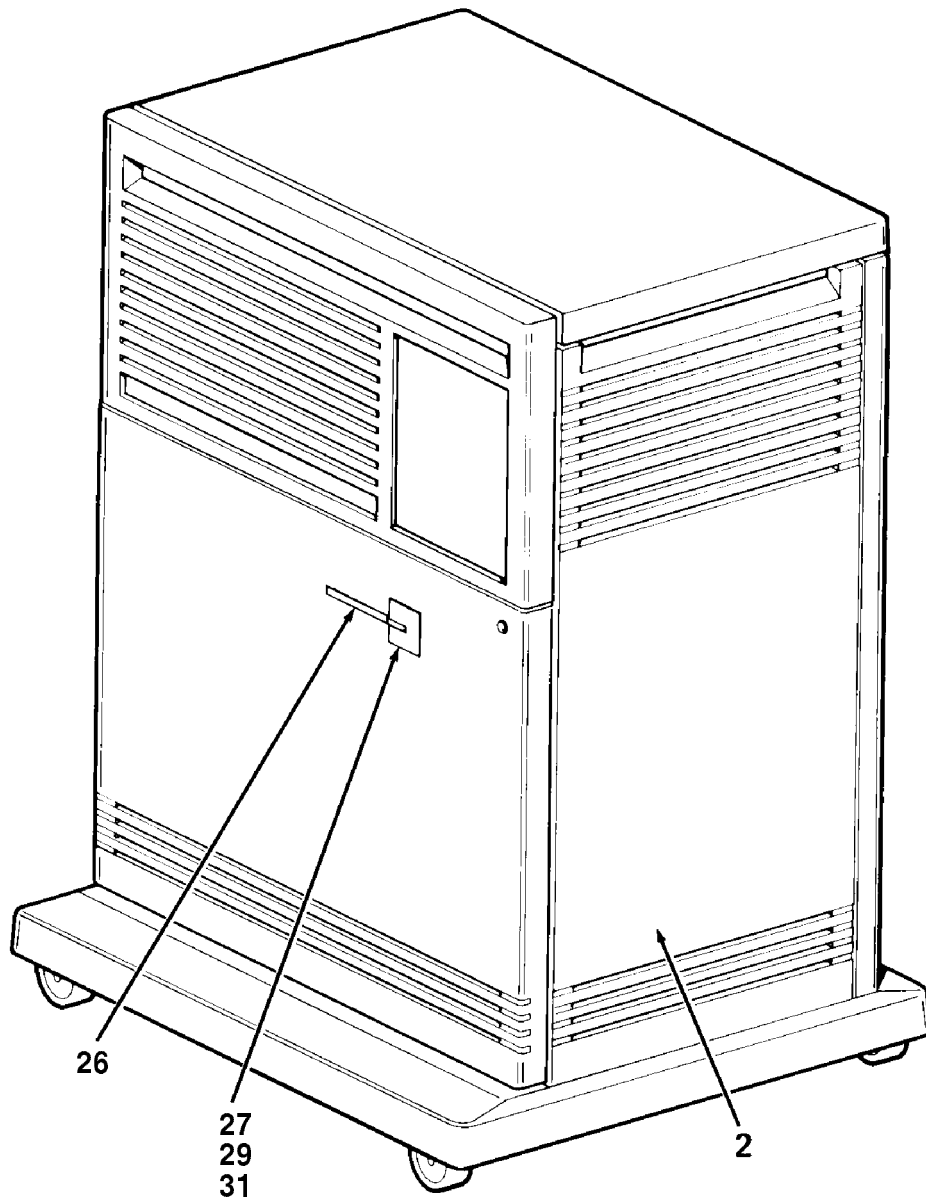
Copyright © 1990, 1992 by Digital Equipment Corporation. All rights reserved.
Printed in U.S.A.

The postage-paid READER'S COMMENTS form on the last page of this document requests your critical evaluation to assist us in preparing future documentation.

The following are trademarks of Digital Equipment Corporation :

DEC, DECdirect, DECUS, PDP, rtVAX, UNIBUS, VAX, VAXserver, and the DIGITAL logo.

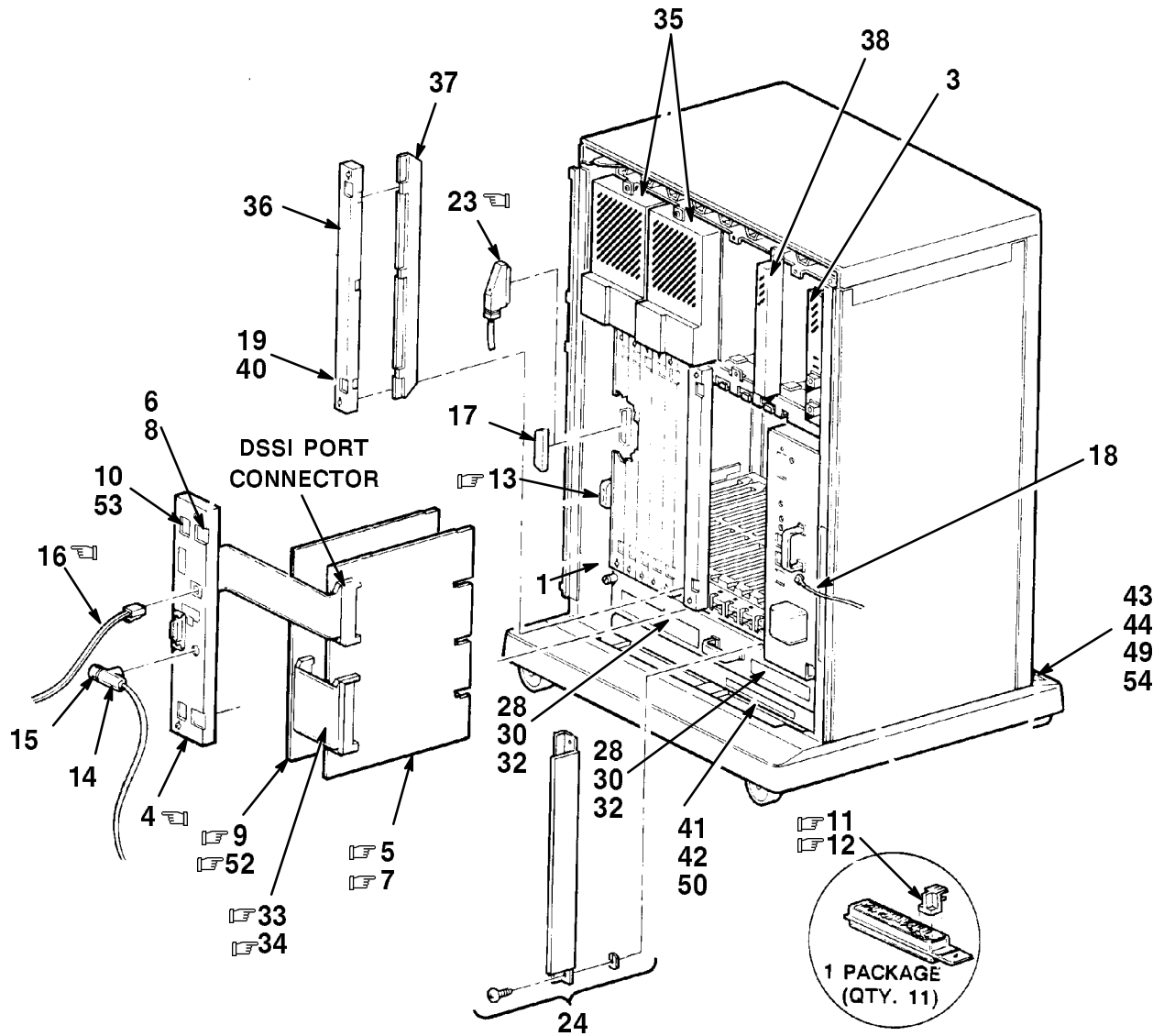
Velcro is a registered trademark of Velcro USA, Inc.



660QH-01-SC

Figure 1. 660QH Pedestal System (Sheet 1 of 2)

☞ ☞ INDICATES FRU LEVEL PARTS.



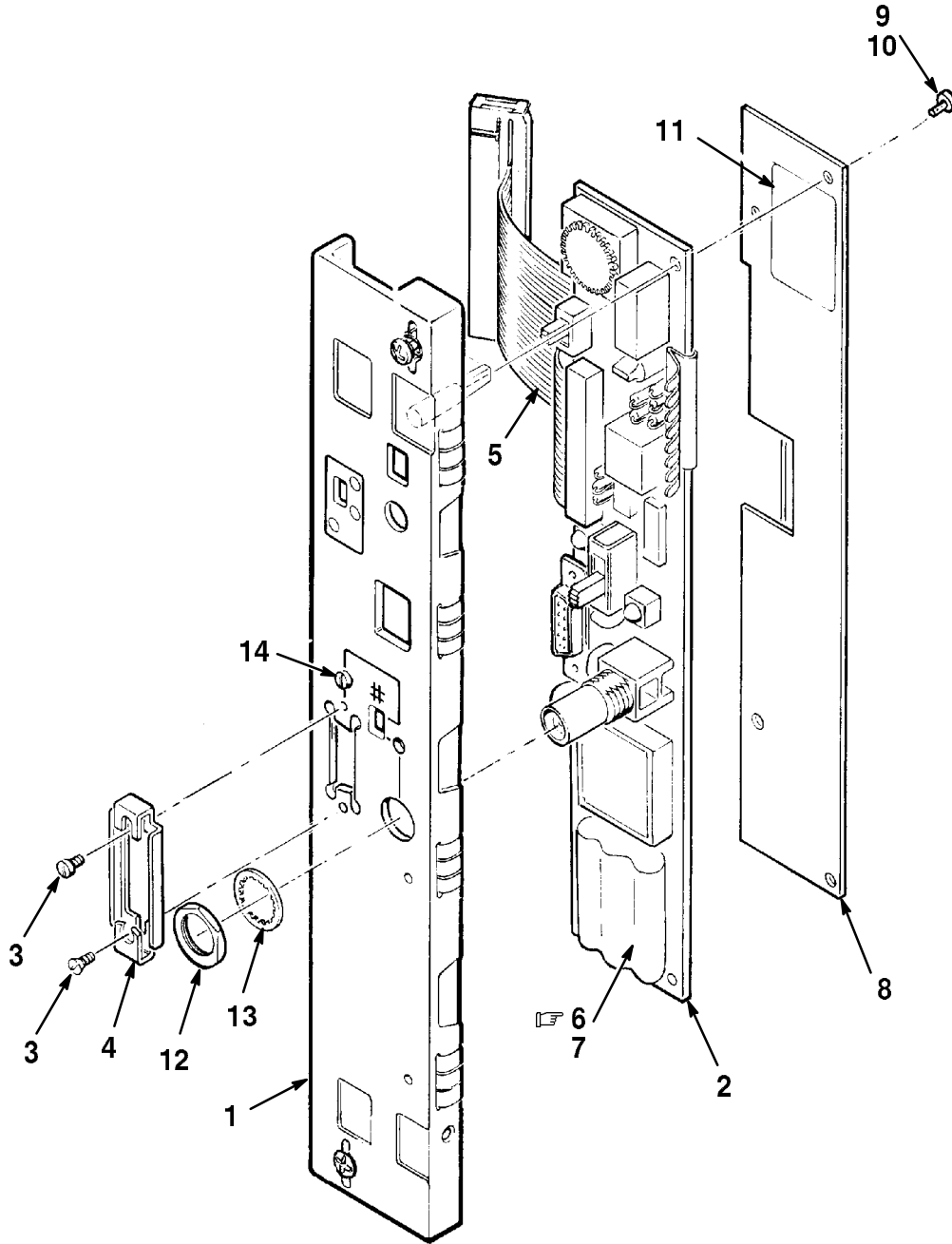
660QH-01A-SC

Figure 1. 660QH Pedestal System (Sheet 2 of 2)

FIG.& ITEM NO.	DESCRIPTION	DEC PART NO.	ECO CUT-IN 660QH 00000	USED ON CODE	REF FIG NO.
1-	660QH PEDESTAL SYSTEM				
	Code A - Used on 660QH-A9 120/240V (w/o Skins) 16MB Timeshare	660QH-A9		A	
	Code B - Used on 660QH-B9 120/240V (w/Skins) 16MB Timeshare	660QH-B9		B	
	Code C - Used on 660QH-C9 120/240V (w/o Skins) 16MB Server	660QH-C9		C	
	Code D - Used on 660QH-D9 120/240V (w/Skins) 16MB Server	660QH-D9		D	
	Code E - Used on 660QH-E9 120/240V (w/o Skins) 32MB Timeshare (added)	660QH-E9	00005	E	
	Code F - Used on 660QH-F9 120/240V (w/Skins) 32MB Timeshare (added)	660QH-F9	00005	F	
1	*Chassis Assembly, BA430 (See IPB Manual EK-440AB-IP)	70-27437-01		ACE	
2	*Chassis Assembly, BA430 (See IPB Manual EK-440AB-IP)	70-27437-02		BDF	
3	*Control Assembly, System (See IPB Manual EK-440AB-IP)	70-27044-01			
☞ 4	*BULKHEAD ASSEMBLY, H3602 CONSOLE	70-25775-01	00004		2
☞ 5	*Module, MicroVAX CPU (Time Share)	M7626-AA		ABEF	
6	*Label, "Module Number M7626-AA"	36-26883-A6		AB	
☞ 7	*Module, MicroVAX CPU (Server)	M7626-BA		CD	
8	*Label, "Module Number M7626-BA"	36-26883-A7		CD	
☞ 9	*Module, 16MB RAM Memory	MS650-BA			
10	*Label, "Module Number MS650-BA"	36-26883-43		ABCD	
☞ 11	*Encoder Set, Lens (DSSI Unit ID Plug)	12-28766-19		ABCD	
☞ 12	*Encoder Set, Lens (SCSI Unit ID Plug) (deleted)	12-28766-28	00004		
☞ 13	*Connector, DSSI Terminator	12-29258-01			
14	*Tee, BNC Coaxial	12-25869-01			
15	*Connector, BNC Coaxial	12-26318-01			
☞ 16	*Cable Assembly, 06 Conductor	17-01364-02			
17	*Cover, 50-Pin IDC Connector	12-33377-01			
18	*Strap, Ground w/Label	12-13756-A8			
19	*Label, "BA2XX Rev" (Sheeted)	36-29164-07			
20	*Label, "S-Box Module Utilization" (Not Shown) (deleted)	36-27923-01	00004		
21	*Documentation, VAX 4000 Installation Checklist (Not Shown)	EK-V400H-IN	00003		
22	*Label, "VAX 4000 FTZ Postcard" (Not Shown) (deleted)	36-30422-52	00002		
☞ 23	*Cable Assembly, 50 Conductor Molded Shielded (BC06P-2F) (2.5 Ft.) (deleted)	17-02659-03	00004		
24	*Bulkhead Assembly, Blank	70-28083-02			

FIG. & ITEM NO.	DESCRIPTION	DEC PART NO.	ECO CUT-IN 660QH 00000	USED ON CODE	REF FIG NO.
1-					
25	*Bag, 2 Mil Thick, Clear Poly Reclose (Not Shown)	99-06557-30			
26	*Strip, Color	74-40914-01		BDF	
27	*Medallion, Model VAX 4000-200	74-40913-04		BF	
28	*Label, "Logo/Model VAX 4000-200"	36-33152-03		ABEF	
29	*Medallion, Model rtVAX 4000-200	74-40913-05		D	
30	*Label, "Logo/Model rtVAX 4000-200"	36-33152-04		CD	
31	*Medallion, VAXserver 4000-200	74-40913-06		D	
32	*Label, "Logo/Model VAXserver 4000-200"	36-33152-06		CD	
☞ 33	*Cable Assembly, 50 Conductor Flat (1-2 Mem)	17-01898-01			
☞ 34	*Cable Assembly, 50 Conductor Flat (4 Mem)	17-01898-03			
35	*Bezel Assembly, Disk Drive	70-27049-02			
36	*Bulkhead Assembly, Front	70-23981-01			
37	*Panel Assembly, Gap Filler	70-24071-01			
38	*Bezel Assembly, Filler	70-27414-01			
39	*Power Cord, 120V 10A (2.5M) (BN20A-2E) (US/Japan/Canada) (Not Shown) (See Note)	17-00083-43			
40	*Label, "BA2XX Rev" (Rolled)	36-29163-07			
41	*Label, "Serial/Model BA440, US"	36-32668-01			
42	*Label, "Serial/Model BA440, UK"	36-32668-02			
43	*Label, Pedestal, BA400 Series, US"	36-32667-05		BDF	
44	*Label, Pedestal, BA400 Series, UK"	36-32667-06		BDF	
45	*Package Assembly (Not Shown)	37-01072-07		BDF	
46	*Package Assembly (Not Shown)	37-01072-08		ACE	
47	*Label, "Attention Preinstalled Software" (added) (Not Shown)	36-28979-01	00004		
48	*Module, QBUS Grant Continuity Kit (added) (Not Shown)	M9047-SA	00004		
49	*Label, "Pedestal, BA400 Series, KA660" (added)	36-32667-16	00004	BDF	
50	*Label, "Serial/Model BA440, Made in Canada" (added)	36-32668-03	00004		
51	*Cap, Protector DSSI Port (added) (Not Shown)	12-33902-01	00002		
52	*Module, 32MB RAM Memory (added)	MS650-BC	00005		
53	*Label, "Module Number MS650-BC" (added)	36-26883-C5	00005		
54	*Label, "Japan PTT" (added)	36-33180-18	00005		
	FRU's (Not Shown)				
☞	*Backplane Assembly	54-20181-01			
☞	*Power Supply Assembly	H7874-00			
	NOTE: Reference Index For 240V Power Cords.				

☞ ☞ INDICATES FRU LEVEL PARTS.



660QH-02-SC

Figure 2. Bulkhead Assembly, H3602 Module

FIG. & ITEM NO.	DESCRIPTION	DEC PART NO.	ECO CUT-IN 70-25775 00006	USED ON CODE	REF FIG NO.
2- ☞	BULKHEAD ASSEMBLY, H3602 MODULE	70-25775-01	00008		1
1	*Bulkhead Assembly, Front Dual	70-23982-14			
2	*Module, SLU Console	54-17381-03			
3	*Latch Assembly, 2 Piece Slide w/Hardware	12-18489-04			
4	*Latch Assembly, 15-Pin Slide w/o Hardware	12-18489-03			
5	*Cable Assembly, 40 Conductor Flat	17-01032-03			
☞ 6	*Battery, 3 Cell 3.75V .18ma Nicad (-01 Replacement For -00)	12-19245-01			
7	*Tape, Velcro®	12-26595-02	00008		
8	*Insulator, Shield	74-37167-02			
9	*Screw, Self-Tap Truss Hd No. 6 x 5/16	90-00063-78			
10	*Washer, Flat (deleted)	90-06659-00	00008		
11	*Label, "Baud Select"	36-26584-01			
12	*Nut, Hex No. 1/2-28	90-10563-01			
13	*Washer, Internal Tooth Lock No. 6 (Bronze)	90-00037-05			
14	*Screw, Self-Tap Truss Hd No. 4-40 x 5/16	90-00063-02			
	ITEM (Not Shown)				
	*Package Assembly	37-00983-12			
					Ω

PART NUMBER/DESCRIPTION INDEX

INDEX BY DEC PART NUMBER
660QH PEDESTAL SYSTEM

PART NO.	DESCRIPTION	FIG NO.	ITEM NO.
12-13756-A8	Strap, Ground w/Label	1	18
12-18489-03	Latch Assembly, 15-Pin Slide w/o Hardware	2	4
12-18489-04	Latch Assembly, 2 Piece Slide w/Hardware	2	3
12-19245-01	Battery, 3 Cell 3.75V .18ma Nicad (-01 Replacement For -00)	2	6
12-25869-01	Tee, BNC Coaxial	1	14
12-26318-01	Connector, BNC Coaxial	1	15
12-26595-02	Tape, Velcro®	2	7
12-28766-19	Encoder Set, Lens (DSSI Unit ID Plug)	1	11
12-28766-28	Encoder Set, Lens (SCSI Unit ID Plug) (deleted)	1	12
12-29258-01	Connector, DSSI Terminator	1	13
12-33377-01	Cover, 50-Pin IDC Connector	1	17
12-33902-01	Cap, Protector DSSI Port (added)	1	Not Shown
17-00083-43	Power Cord, 120V 10A (2.5M) (BN20A-2E) (US/Japan/Canada) (Not Shown)	1	39
17-00083-44	Power Cord, 240V 10A (2.5M) (BN20B-2E) (US/Japan/Canada)	1	Not Shown
17-00198-11	Power Cord, 240V 10A (2.5M) (BN22C-2E) (Australia/New Zealand)	1	Not Shown
17-00199-16	Power Cord, 240V 10A (2.5M) (BN22D-2E) (Central Europe)	1	Not Shown
17-00209-13	Power Cord, 240V 10A (2.5M) (BN22E-2E) (UK/Ireland)	1	Not Shown
17-00210-10	Power Cord, 240V 10A (2.5M) (BN22F-2E) (Switzerland)	1	Not Shown
17-00310-10	Power Cord, 240V 10A (2.5M) (BN22H-2E) (Denmark)	1	Not Shown
17-00364-13	Power Cord, 240V 10A (2.5M) (BN22J-2E) (Italy)	1	Not Shown
17-00456-13	Power Cord, 240V 10A (2.5M) (BN22K-2E) (India/S. Africa)	1	Not Shown
17-00457-13	Power Cord, 240V 10A (2.5M) (BN22L-2E) (Israel)	1	Not Shown
17-01032-03	Cable Assembly, 40 Connector Flat	2	5
17-01364-02	Cable Assembly, 06 Conductor	1	16
17-01898-01	Cable Assembly, 50 Conductor Flat (1-2 Mem.)	1	33
17-01898-03	Cable Assembly, 50 Conductor Flat (4 Mem.)	1	34
17-02659-03	Cable Assembly, 50 Conductor Molded Shielded (BC06P-2F) (2.5 Ft.)	1	23
36-26584-01	Label, "Baud Select"	2	11
36-26883-43	Label, "Module Number MS650-BA"	1	10
36-26883-A6	Label, "Module Number M7626-AA"	1	6
36-26883-A7	Label, "Module Number M7626-BA"	1	8
36-26883-C5	Label, "Module Number MS650-BC" (added)	1	53
36-27923-01	Label, "S-Box Module Utilization" (deleted)	1	20
36-28231-08	Label, "Direct Thermal"	2	Not Shown
36-28979-01	Label, "Attention Preinstalled Software" (added)	1	Not Shown
36-29163-07	Label, "BA2XX Rev" (Rolled)	1	40
36-29164-07	Label, "BA2XX Rev" (Sheeted)	1	19
36-30422-52	Label, "VAX 4000 FTZ Postcard" (Not Shown)	1	22
36-32667-05	Label, "Pedestal, BA400 Series, US"	1	43
36-32667-06	Label, "Pedestal, BA400 Series, UK"	1	44
36-33180-18	Label, "Japan PTT" (added)	1	54

INDEX BY DEC PART NUMBER
660QH PEDESTAL SYSTEM

PART NO.	DESCRIPTION	FIG NO.	ITEM NO.
36-32667-16	Label, "Pedestal, BA400, Series, KA660" (added)	1	49
36-32668-01	Label, "Serial/Model BA440, US"	1	41
36-32668-02	Label, "Serial/Model BA440, UK"	1	42
36-32668-03	Label, "Serial/Model BA440, Made in Canada" (added)	1	50
36-33152-03	Label, "Logo/Model VAX 4000-200"	1	28
36-33152-04	Label, "Logo/Model rtVAX 4000-200"	1	30
36-33152-06	Label, "Logo/Model VAXserver 4000-200"	1	32
37-00983-12	Package Assembly	2	Not Shown
37-01072-07	Package Assembly (Not Shown)	1	45
37-01072-08	Package Assembly (Not Shown)	1	46
54-17381-03	Module, SLU Console	2	2
54-20181-01	Backplane Assembly	1	Not Shown
660QH-A9	660QH-A9 120/240V (w/o Skins) 16MB Timeshare	1	N/A
660QH-B9	660QH-B9 120/240V (w/Skins) 16MB Timeshare	1	N/A
660QH-C9	660QH-C9 120/240V (w/o Skins) 16MB Server	1	N/A
660QH-D9	660QH-D9 120/240V (w/Skins) 16MB Server	1	N/A
660QH-E9	660QH-E9 120/240V (w/o Skins)32MB Timeshare	1	N/A
660QH-F9	(added) 660QH-F9 120/240V (w/Skins)32MB Timeshare (added)	1	N/A
70-23981-01	Bulkhead Assembly, Front	1	36
70-23982-14	Bulkhead Assembly, Front Dual	2	1
70-24071-01	Panel Assembly, Gap Filler	1	37
70-25775-01	BULKHEAD ASSEMBLY, H3602 MODULE	2	N/A
70-25775-01	BULKHEAD ASSEMBLY, H3602 CONSOLE	1	4
70-27044-01	Control Assembly, System	1	3
70-27049-02	Bezel Assembly, Disk Drive	1	35
70-27414-01	Bezel Assembly, Filler	1	38
70-27437-01	Chassis Assembly, BA430	1	1
70-27437-02	Chassis Assembly, BA430	1	2
70-28083-02	Bulkhead Assembly, Blank	1	24
74-37167-02	Insulator, Shield	2	8
74-40913-04	Medallion, Model VAX 4000-200	1	27
74-40913-05	Medallion, Model rtVAX 4000-200	1	29
74-40913-06	Medallion, VAXserver 4000-200	1	31
74-40914-01	Strip, Color	1	26
90-00037-05	Washer, Internal Tooth Lock No. 6 (Bronze)	2	13
90-00063-02	Screw, Self-Tap Truss Hd No. 4-40 x 5/16	2	14
90-00063-78	Screw, Self-Tap Truss Hd No. 6 x 5/16	2	9
90-06659-00	Washer, Flat (deleted)	2	10
90-10563-01	Nut, Hex No. 1/2-28	2	12
99-06557-30	Bag, 2 Mil Thick, Clear Poly Reclose (Not Shown)	1	25
EK-V4000-IN	Documentation, VAX 4000 Installation Checklist	1	Not Shown
H7874-00	Power Supply Assembly	1	Not Shown
M7626-AA	Module, MicroVAX CPU (Time Share)	1	5
M7626-BA	Module, MicroVAX CPU (Server)	1	7
M9047-SA	Module, QBUS Grant Continuity Kit (added)	1	Not Shown
MS650-BA	Module, 16MB RAM Memory	1	9
MS650-BC	Module, 32MB RAM Memory	1	52

INDEX BY DEC PART DESCRIPTION
660QH PEDESTAL SYSTEM

DESCRIPTION	DEC PART NO.	FIG. NO.	ITEM NO.
660QH PEDESTAL SYSTEM	N/A	1	N/A
660QH-A9 120/240V (w/o Skins) 16MB Timeshare	660QH-A9	1	N/A
660QH-B9 120/240V (w/Skins) 16MB Timeshare	660QH-B9	1	N/A
660QH-C9 120/240V (w/o Skins) 16MB Server	660QH-C9	1	N/A
660QH-D9 120/240V (w/Skins) 16MB Server	660QH-D9	1	N/A
660QH-E9 120/240V (w/o Skins) 32MB Timeshare (added)	660QH-E9	1	N/A
660QH-F9 120/240V (w/Skins) 32MB Timeshare (added)	660QH-F9	1	N/A
Backplane Assembly	54-20181-01	1	Not Shown
Bag, 2 Mil Thick, Clear Poly Reclose (Not Shown)	99-06557-30	1	25
Battery, 3 Cell 3.75V .18ma Nicad (-01 Replacement For -00)	12-19245-01	2	6
Bezel Assembly, Disk Drive	70-27049-02	1	35
Bezel Assembly, Filler	70-27414-01	1	38
Bulkhead Assembly, Blank	70-28083-02	1	24
Bulkhead Assembly, Front	70-23981-01	1	36
Bulkhead Assembly, Front Dual	70-23982-14	2	1
BULKHEAD ASSEMBLY, H3602 CONSOLE	70-25775-01	1	4
BULKHEAD ASSEMBLY, H3602 MODULE	70-25775-01	2	N/A
Cable Assembly, 06 Conductor	17-01364-02	1	16
Cable Assembly, 40 Conductor Flat	17-01032-03	2	5
Cable Assembly, 50 Conductor Flat (1-2 Mem.)	17-01898-01	1	33
Cable Assembly, 50 Conductor Flat (4 Mem.)	17-01898-03	1	34
Cable Assembly, 50 Conductor Molded Shielded (BC06P-2F) (2.5 Ft.)	17-02659-03	1	23
Cap, Protector DSSI Port (added)	12-33902-01	1	Not Shown
Chassis Assembly, BA430	70-27437-02	1	2
Chassis Assembly, BA430	70-27437-01	1	1
Connector, BNC Coaxial	12-26318-01	1	15
Connector, DSSI Terminator	12-29258-01	1	13
Control Assembly, System	70-27044-01	1	3
Cover, 50-Pin IDC Connector	12-33377-01	1	17
Documentation, VAX 4000 Installation Checklist (Not Shown)	EK-V4000-IN	1	21
Encoder Set, Lens (DSSI Unit ID Plug)	12-28766-19	1	11
Encoder Set, Lens (SCSI Unit ID Plug) (deleted)	12-28766-28	1	12
Insulator, Shield	74-37167-02	2	8
Label, "Attention Preinstalled Software" (added)	36-28979-01	1	Not Shown
Label, "BA2XX Rev" (Rolled)	36-29163-07	1	40
Label, "BA2XX Rev" (Sheeted)	36-29164-07	1	19
Label, "Baud Select"	36-26584-01	2	11
Label, "Direct Thermal"	36-28231-08	2	Not Shown
Label, "Japan PTT" (added)	36-33180-18	1	54
Label, "Logo/Model rtVAX 4000-200"	36-33152-04	1	30
Label, "Logo/Model VAX 4000-200"	36-33152-03	1	28
Label, "Logo/Model VAXserver 4000-200"	36-33152-06	1	32
Label, "Module Number M7626-AA"	36-26883-A6	1	6
Label, "Module Number M7626-BA"	36-26883-A7	1	8
Label, "Module Number MS650-BA"	36-26883-43	1	10
Label, "Module Number MS650-BC" (added)	36-26883-C5	1	53
Label, "S-Box Module Utilization" (Not Shown) (deleted)	36-27923-01	1	20
Label, "Serial/Model BA440, Made in Canada" (added)	36-32668-03	1	50
Label, "Serial/Model BA440, UK"	36-32668-02	1	42

INDEX BY DEC PART DESCRIPTION
660QH PEDESTAL SYSTEM

DESCRIPTION	DEC PART NO.	FIG. NO.	ITEM NO.
Label, "Serial/Model BA440, US"	36-32668-01	1	41
Label, "VAX 4000 FTZ Postcard" (Not Shown)	36-30422-52	1	22
Label, "Pedestal, BA400 Series, UK"	36-32667-06	1	44
Label, "Pedestal, BA400 Series, US"	36-32667-05	1	43
Label, "Pedestal, BA400 Series, KA660" (added)	36-32667-16	1	49
Latch Assembly, 15-Pin Slide w/o Hardware	12-18489-03	2	4
Latch Assembly, 2 Piece Slide w/Hardware	12-18489-04	2	3
Medallion, Model rtVAX 4000-200	74-40913-05	1	29
Medallion, Model VAX 4000-200	74-40913-04	1	27
Medallion, VAXserver 4000-200	74-40913-06	1	31
Module, 16MB RAM Memory	MS650-BA	1	9
Module, 32MB RAM Memory (added)	MS650-BC	1	52
Module, MicroVAX CPU (Server)	M7626-BA	1	7
Module, MicroVAX CPU (Time Share)	M7626-AA	1	5
Module, QBUS Grant Continuity Kit (added)	M9047-SA	1	Not Shown
Module, SLU Console	54-17381-03	2	2
Nut, Hex No. 1/2-28	90-10563-01	2	12
Package Assembly	37-00983-12	2	Not Shown
Package Assembly (Not Shown)	37-01072-08	1	46
Package Assembly (Not Shown)	37-01072-07	1	45
Panel Assembly, Gap Filler	70-24071-01	1	37
Power Cord, 120V 10A (2.5M) (BN20A-2E) (US/Japan/Canada) (Not Shown)	17-00083-43	1	39
Power Cord, 240V 10A (2.5M) (BN20B-2E) (US/Japan/Canada)	17-00083-44	1	Not Shown
Power Cord, 240V 10A (2.5M) (BN22C-2E) (Australia/New Zealand)	17-00198-11	1	Not Shown
Power Cord, 240V 10A (2.5M) (BN22D-2E) (Central Europe)	17-00199-16	1	Not Shown
Power Cord, 240V 10A (2.5M) (BN22E-2E) (UK/Ireland)	17-00209-13	1	Not Shown
Power Cord, 240V 10A (2.5M) (BN22F-2E) (Switzerland)	17-00210-10	1	Not Shown
Power Cord, 240V 10A (2.5M) (BN22H-2E) (Denmark)	17-00310-10	1	Not Shown
Power Cord, 240V 10A (2.5M) (BN22J-2E) (Italy)	17-00364-13	1	Not Shown
Power Cord, 240V 10A (2.5M) (BN22K-2E) (India/S. Africa)	17-00456-13	1	Not Shown
Power Cord, 240V 10A (2.5M) (BN22L-2E) (Israel)	17-00457-13	1	Not Shown
Power Supply Assembly	H7874-00	1	Not Shown
Screw, Self-Tap Truss Hd No. 4-40 x 5/16	90-00063-02	2	14
Screw, Self-Tap Truss Hd No. 6 x 5/16	90-00063-78	2	9
Strap, Ground w/Label	12-13756-A8	1	18
Strip, Color	74-40914-01	1	26
Tape, Velcro®	12-26595-02	2	7
Tee, BNC Coaxial	12-25869-01	1	14
Washer, Flat (deleted)	90-06659-00	2	10
Washer, Internal Tooth Lock No. 6 (Bronze)	90-00037-05	2	13

READER'S COMMENTS

660QH Pedestal System
 Illustrated Parts Breakdown
 EK-439AB-IP-002

1. How did you use this manual? (Circle your response.)

- (a) Installation (c) Maintenance (e) Training
 (b) Operation/Use (d) Programming (f) Other (Please specify) _____

2. Did the manual meet your needs? Yes No Why? _____

3. Please rate the manual on the following categories. (Circle your response.)

	Excellent	Good	Fair	Poor	Unacceptable
Accuracy	5	4	3	2	1
Clarity	5	4	3	2	1
Completeness	5	4	3	2	1
Illustrations, examples	5	4	3	2	1
Overall ease of use	5	4	3	2	1
Table of Content, Index	5	4	3	2	1

4. What things did you like *most* about this manual? _____

5. What things did you like *least* about this manual? _____

6. Please list and describe any errors you found in the manual.

Page	Description/Location of Error
_____	_____
_____	_____
_____	_____
_____	_____

7. Which of the following most clearly describes your job ? (Circle your response.)

- (a) Administrative Support (e) System Manager (i) Education/Trainer
 (b) Manager/Supervisor (f) Computer Operator (j) Sales/Marketing
 (c) Scientist/Engineer (g) Software Support (k) Other (Please specify) _____
 (d) Programmer/Analyst (h) Hardware Support

OPTIONAL INFORMATION

Name _____ Job Title _____
 Street _____ Company _____
 City _____ Department _____
 State/Country _____ Telephone Number _____
 Postal (ZIP) Code _____ Date _____

THANK YOU FOR YOUR COMMENTS AND SUGGESTIONS.

Please do not use this form to order manuals. Contact your representative at Digital Equipment Corporation or (in the USA) call our DECdirect™ department at this toll-free number : 800-258-1710