

ILLUSTRATED PARTS BREAKDOWN **VAX 4000 Model 600 SYSTEM**

ILLUSTRATED PARTS BREAKDOWN (IPB)

The IPB is used to identify a part and its location in a hardware product. The document references specific item numbers in the associated parts list.

HOW TO USE THE IPB

1. Locate the figure containing the item of interest.
2. Locate the number (callout) of the item of interest.
3. Locate that item number in the associated parts list.

FORMAT

Each IPB is generally organized based on its first figure. All other assemblies and subassemblies are referenced from this figure. Each figure contains numeric callouts of all major parts (items).

PARTS LIST

Each parts list contains the following:

Figure and Item No. – Lists the figure number and its referenced numeric callout

Description – Presents the name and a brief description of the item. A single asterisk (*) preceding the description

denotes item is a subassembly to its referenced figure. A double asterisk (**) preceding the description indicates that this item is subordinate to the preceding single asterisk item.

DEC Part No. – Lists the Digital/Vendor part number. The letter in the column heading indicates the current revision level of the Engineering Drawing for the referenced figure.

ECO Cut-In – Lists the top assembly drawing number and revision level at first printing. All additional revisions to an item are listed in this column.

Used On Code – Lists letters referring to the product variation assigned in Figure 1. When this column is blank, the item is used in all variations.

Ref Fig No. – Lists a cross reference between figures within the IPB.

PART NUMBER/PART DESCRIPTION INDEX SECTION

Lists items by part number numerically, and description alphabetically. Items are also referenced to a location within the IPB by figure and item number.

ECO/REVISION HISTORY					OTHER IPB MANUALS REFERENCED
FIGURE NO.	ASSEMBLY	INITIAL LEVEL	CURRENT LEVEL	PRINTING DATE	
1	690QJ	00000	00000	1st Printing	EK-440AB-IP EK-441AC-IP
2	70-27400	00000	00000	11-MAY-92	

Digital Equipment Corporation reserves the right, without notice, to make substitutions and modifications in the specifications of products documented in this manual and further reserves the right to withdraw any of these products from the market without notice.

Digital Equipment Corporation is not responsible for errors which may appear in the technical description (including illustrations and photographs) of the products covered by this manual.

None of the descriptions contained in this manual imply the granting of any license whatsoever to make, use or sell equipment constructed in accordance therewith.

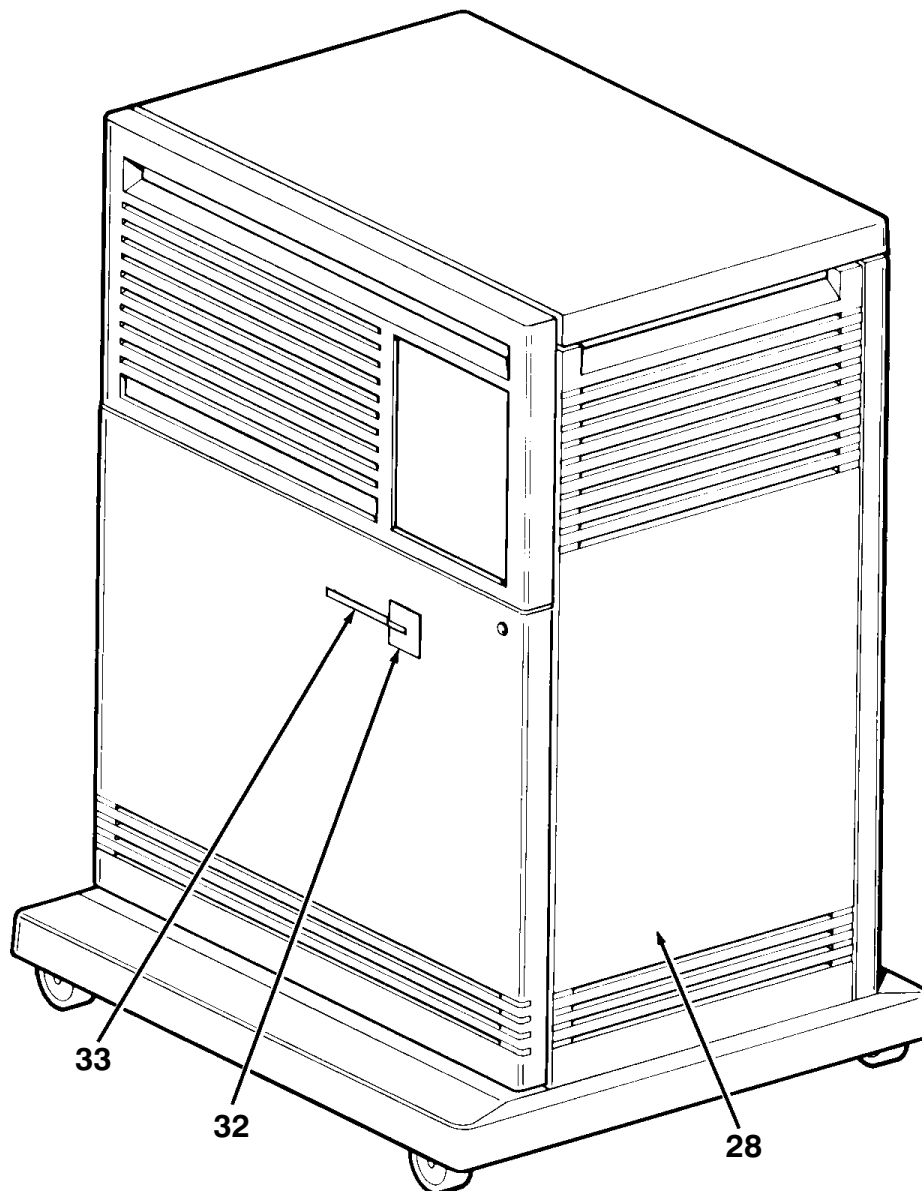
Restricted Rights: Use, duplication or disclosure by the U.S. Government is subject to restrictions as set forth in subparagraph (c) (1) (ii) of the Rights in Technical Data and Computer Software clause at DFARS 252.227-2713.

Copyright © 1992 by Digital Equipment Corporation. All rights reserved.
Printed in U.S.A.

The postage-paid READER'S COMMENTS form on the last page of this document requests your critical evaluation to assist us in preparing future documentation.

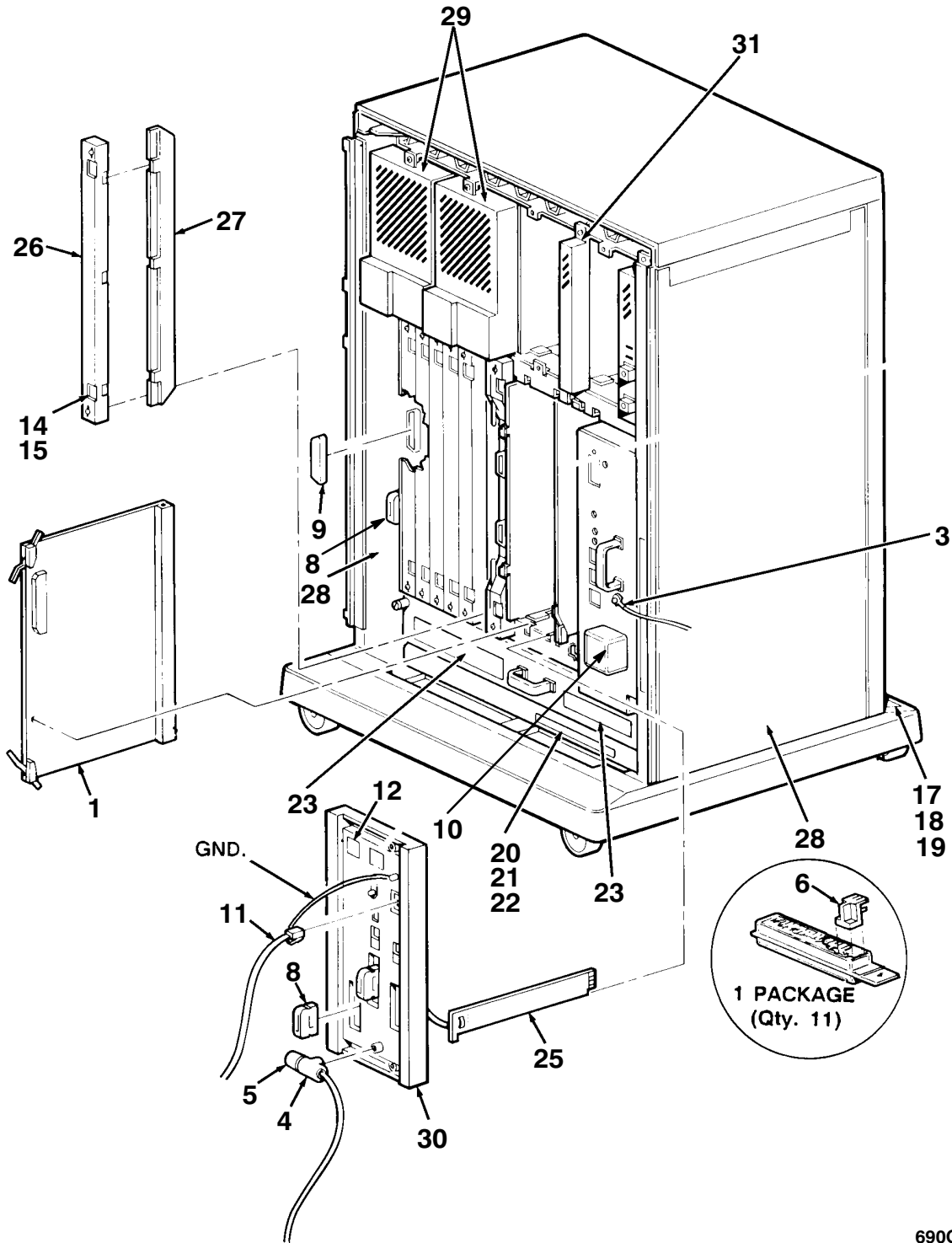
The following are trademarks of Digital Equipment Corporation :

DECdirect, Q-bus, ThinWire, VAX, and the DIGITAL logo



690QJ-01-SC

Figure 1. 690QJ Pedestal System (Sheet 1 of 2)

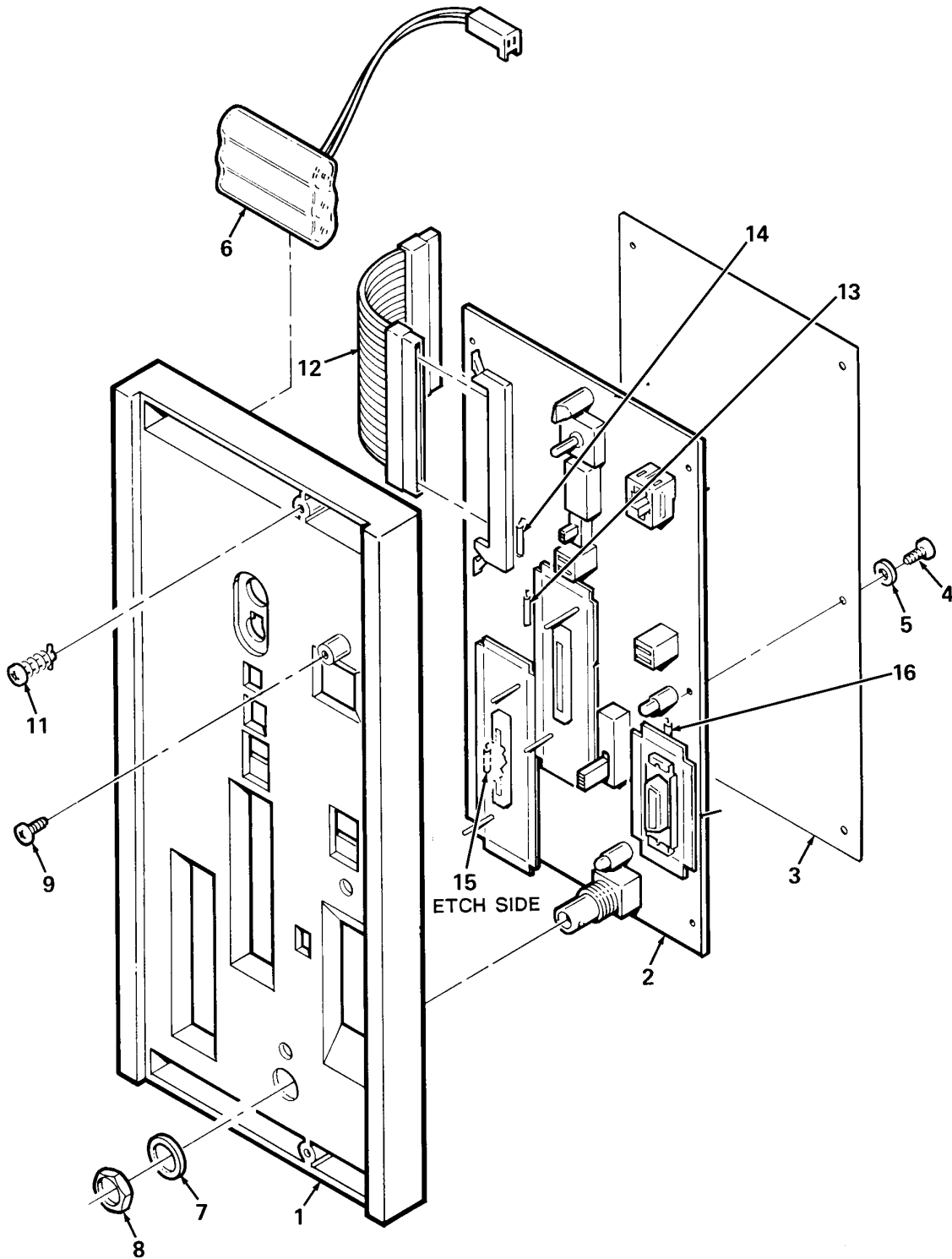


690QJ-01A-SC

Figure 1. 690QJ Pedestal System (Sheet 2 of 2)

FIG. & ITEM NO.	DESCRIPTION	DEC PART NO. ^A	ECO CUT-IN 690QJ 00000	USED ON CODE	REF FIG NO.
1-	690QJ PEDESTAL SYSTEM	690QJ-B9			
1	*Module, CPU	L4002-AA			
2	*Module, Q-bus Grant Card (See Note 1.)	M9047-SA			
3	*Strap, Ground	12-13756-A8			
4	*Tee, BNC Coaxial	12-25869-01			
5	*Connector, BNC Coaxial	12-26318-01			
6	*Encoder Set, Lens (DSSI Unit ID Plug) (Grey)	12-28766-19			
7	*This Item Not Used.				
8	*Connector, Terminator	12-29258-01			
9	*Cover, 50-Pin IDC Connector	12-33377-01			
10	*Power Cord 120V 10A (2.5M) (BN20A-2E) (See Note 2.)	17-00083-43			
11	*Cable Assembly, 06 Conductor	17-01364-02			
12	*Label, "Module Number, S-Box L4002-AA"	36-26883-C2			
13	*Label, "Preinstalled Software" (Not Shown)	36-28979-01			
14	*Label, "BA2XX Rev" (Rolled)	36-29163-07			
15	*Label, "BA2XX Rev" (Sheeted)	36-29164-07			
16	*Label, "Postcard FTZ" (Not Shown)	36-30422-52			
17	*Label, "Pedestal BA400 Series KA690"	36-32667-10			
18	*Label, "Pedestal BA400 Series KA690"	36-32667-09			
19	*Label, "Pedestal BA400 Series KA690"	36-32667-18			
20	*Label, "Serial/Model US "	36-32668-01			
21	*Label, "Serial/Model UK"	36-32668-02			
22	*Label, "Serial/Model Canada"	36-32668-03			
23	*Label, "Logo/Model VAX 4000-600"	36-33152-13			
24	*Package Assembly (Not Shown)	37-01072-07			
25	*Module, Power Harness	54-19789-01			
26	*Bulkhead Assembly, Front	70-23981-01			
27	*Panel Assembly, Gap Filler	70-24071-01			
28	*Chassis Assembly (See IPB Manual (EK-440AB-IP)	70-26699-02			
29	*Bezel Assembly, Disk Drive	70-27049-02			
30	*BULKHEAD ASSEMBLY, H3604 CONSOLE	70-27400-01			2
31	*Bezel Assembly, Filler	70-27414-01			
32	*Medallion, "VAX 4000-600"	74-40913-15			
33	*Strip, Color	74-40914-01			
34	*Bag, 2 Mil Thick, Clear Poly Reclose (Not Shown)	99-06557-30			
	NOTE 1 This Item Not Shown, Use As Required.				
	NOTE 2 Reference Index For 240V Power Cords.				

THIS PAGE INTENTIONALLY LEFT BLANK



690QJ-02-SC

Figure 2. Bulkhead Assembly, H3604 Console

FIG. & ITEM NO.	DESCRIPTION	DEC PART NO.	A ECO CUT-IN 70-27400 00000	USED ON CODE	REF FIG NO.
2-	BULKHEAD ASSEMBLY, H3604 CONSOLE	70-27400-01			1
1	*Cover, Module Assembly	70-27401-01			
2	*Module Assembly, H3604	70-27402-01			
3	*Insulator, Cover Module	74-39280-01			
4	*Screw, Self-Tap Phi Pan Hd No. 6-32 x 3/8	90-09514-01			
5	*Washer, Internal Tooth Lock No. 6	90-09882-00			
6	*Battery, 3 Cell 3.75V .18ma Nicad (-01 Replacement For -00)	12-19245-01			
7	*Washer, Internal Tooth Lock No. 6 (Bronze)	90-00037-05			
8	*Nut, Hex No. 1/2-28	90-10563-01			
9	*Screw, Sems Phi Truss Hd No. 6-32 x 1/4	90-00049-06			
10	*Package Assembly, Customer Module (Not Shown)	37-00931-11			
11	Fastener, 1/4 Turn (Not Part of 70-27400 Assembly, Shown For Reference Only.)	12-26948-01			
12	Cable Assembly, 100 Cond Flat (Not Part of 70-27400 Assembly, Shown For Reference Only.)	17-02353-01			
13	Fuse, Pico .500A 125V (F1), ThinWire Ethernet Power (Not Part of 70-27400 Assembly, Shown For Reference Only.)	12-09159-00			
14	Fuse, Pico .062A 125V (F2), -12V Logic Power (Not Part of 70-27400 Assembly, Shown For Reference Only.)	12-09122-00			
15	Fuse, Pico 2.0A 125V (F3) DSSI Termination Power (Located On Etch Side Of Module.) (Not Part of 70-27400 Assembly, Shown For Reference Only.)	12-10929-06			
16	Fuse, Pico 1.5A 125V (F4) Standard Ethernet Power (Not Part of 70-27400 Assembly, Shown For Reference Only.)	12-10929-08			

Ω

PART NUMBER/DESCRIPTION INDEX

INDEX BY DEC PART NUMBER
VAX 4000 MODEL 600 SYSTEM

PART NO.	DESCRIPTION	FIG NO.	ITEM NO.
12-09122-00	Fuse, Pico .062A 125V (F2), -12V Logic Power	2	14
12-09159-00	Fuse, Pico .500A 125V (F1),ThinWire Ethernet Power	2	13
12-10929-06	Fuse, Pico 2.0A 125V (F3) DSSI Termination Power (Located On Etch Side Of Module.)	2	15
12-10929-08	Fuse, Pico 1.5A 125V (F4) Standard Ethernet Power	2	16
12-13756-A8	Strap, Ground	1	3
12-19245-01	Battery, 3 Cell 3.75V .18 ma Nicad (-01 Replacement For -00)	2	6
12-25869-01	Tee, BNC Coaxial	1	4
12-26318-01	Connector, BNC Coaxial	1	5
12-26948-01	Fastener, 1/4 Turn	2	11
12-28766-19	Encoder Set, Lens (DSSI Unit ID Plug) (Grey)	1	6
12-29258-01	Connector, Terminator	1	8
12-33377-01	Cover, 50-Pin IDC Connector	1	9
17-00083-43	Power Cord 120V 10A (2.5M) (BN20A-2E)	1	10
17-00083-44	Power Cord 240V 10A (2.5M) (BN20B-2E) (US/Japan/Canada)	1	10
17-00198-11	Power Cord 240V 10A (2.5M) (BN22C-2E) (Australia/New Zealand)	1	10
17-00199-16	Power Cord 240V 10A (2.5M) (BN22D-2E) (Central Europe)	1	10
17-00209-13	Power Cord 240V 10A (2.5M) (BN22E-2E) (U.K./Ireland)	1	10
17-00210-10	Power Cord 240V 10A (2.5M) (BN22F-2E) (Switzerland)	1	10
17-00310-10	Power Cord 240V 10A (2.5M) (BN22H-2E) (Denmark)	1	10
17-00364-13	Power Cord 240V 10A (2.5M) (BN22J-2E) (Italy)	1	10
17-00456-13	Power Cord 240V 10A (2.5M) (BN22K-2E) (India/S. Africa)	1	10
17-00457-13	Power Cord 240V 10A (2.5M) (BN22L-2E) (Israel)	1	10
17-01364-02	Cable Assembly, 06 Conductor	1	11
17-02353-01	Cable Assembly, 100 Cond Flat	2	12
36-26883-C2	Label, "Module Number, S-Box L4002-AA"	1	12
36-28979-01	Label, "Preinstalled Software" (Not Shown)	1	13
36-29163-07	Label, "BA2XX Rev" (Rolled)	1	14
36-29164-07	Label, "BA2XX Rev" (Sheeted)	1	15
36-30422-52	Label, "Postcard FTZ" (Not Shown)	1	16
36-32667-10	Label, "Pedestal BA400 Series KA690"	1	17
36-32667-09	Label, "Pedestal BA400 Series KA690"	1	18
36-32667-18	Label, "Pedestal BA400 Series KA690"	1	19
36-32668-01	Label, "Serial/Model US"	1	20
36-32668-02	Label, "Serial/Model UK"	1	21
36-32668-03	Label, "Serial/Model Canada"	1	22
36-33152-13	Label, "Logo/Model VAX 4000-600"	1	23
37-00931-11	Package Assembly, Customer Module (Not Shown)	2	10
37-01072-07	Package Assembly (Not Shown)	1	24
54-19789-01	Module, Power Harness	1	25

INDEX BY DEC PART NUMBER
VAX 4000 MODEL 600 SYSTEM

PART NO.	DESCRIPTION	FIG NO.	ITEM NO.
690QJ-B9	690QJ PEDESTAL SYSTEM	1	N/A
70-23981-01	Bulkhead Assembly, Front	1	26
70-24071-01	Panel Assembly, Gap Filler	1	27
70-26699-02	Chassis Assembly	1	28
70-27049-02	Bezel Assembly, Disk Drive	1	29
70-27400-01	BULKHEAD ASSEMBLY, H3604 CONSOLE	1	30
70-27400-01	BULKHEAD ASSEMBLY, H3604 CONSOLE	2	N/A
70-27401-01	Cover, Module Assembly	2	1
70-27402-01	Module Assembly, H3604	2	2
70-27414-01	Bezel Assembly, Filler	1	31
74-39280-01	Insulator, Cover Module	2	3
74-40913-15	Medallion, "VAX 4000-600"	1	32
74-40914-01	Strip, Color	1	33
90-00037-05	Washer, Internal Tooth Lock No. 6 (Bronze)	2	7
90-00049-06	Screw, Sems Phi Truss Hd No. 6-32 x 1/4	2	9
90-09514-01	Screw, Self-Tap Phi Pan Hd No. 6-32 x 3/8	2	4
90-09882-00	Washer, Internal Tooth Lock No. 6	2	5
90-10563-01	Nut, Hex No. 1/2-28	2	8
99-06557-30	Bag, 2 Mil Thick, Clear Poly Reclose (Not Shown)	1	34
L4002-AA	Module, CPU	1	1
M9047-SA	Module, Q-bus Grant Card	1	2

INDEX BY DEC PART DESCRIPTION

VAX 4000 MODEL 600 SYSTEM

DESCRIPTION	DEC PART NO.	FIG. NO.	ITEM NO.
690QJ PEDESTAL SYSTEM	690QJ-B9	1	N/A
Bag, 2 Mil Thick, Clear Poly Reclose (Not Shown)	99-06557-30	1	34
Battery, 3 Cell 3.75V .18 ma Nicad (-01 Replacement For -00)	12-19245-01	2	6
Bezel Assembly, Disk Drive	70-27049-02	1	29
Bezel Assembly, Filler	70-27414-01	1	31
Bulkhead Assembly, Front	70-23981-01	1	26
BULKHEAD ASSEMBLY, H3604 CONSOLE	70-27400-01	1	30
BULKHEAD ASSEMBLY, H3604 CONSOLE	70-27400-01	2	N/A
Cable Assembly, 06 Conductor	17-01364-02	1	11
Cable Assembly, 100 Cond Flat	17-02353-01	2	12
Chassis Assembly	70-26699-02	1	28
Connector, BNC Coaxial	12-26318-01	1	5
Connector, Terminator	12-29258-01	1	8
Cover, 50-Pin IDC Connector	12-33377-01	1	9
Cover, Module Assembly	70-27401-01	2	1
Encoder Set, Lens (DSSI Unit ID Plug) (Grey)	12-28766-19	1	6
Fastener, 1/4 Turn	12-26948-01	2	11
Fuse, Pico .062A 125V (F2), -12V Logic Power	12-09122-00	2	14
Fuse, Pico .500A 125V (F1), ThinWire Ethernet Power	12-09159-00	2	13
Fuse, Pico 1.5A 125V (F4) Standard Ethernet Power	12-10929-08	2	16
Fuse, Pico 2.0A 125V (F3) DSSI Termination Power (Located On Etch Side Of Module.)	12-10929-06	2	15
Insulator, Cover Module	74-39280-01	2	3
Label, "BA2XX Rev" (Rolled)	36-29163-07	1	14
Label, "BA2XX Rev" (Sheeted)	36-29164-07	1	15
Label, "Logo/Model VAX 4000-600"	36-33152-13	1	23
Label, "Module Number, S-Box L4002-AA"	36-26883-C2	1	12
Label, "Pedestal BA400 Series KA690"	36-32667-18	1	19
Label, "Pedestal BA400 Series KA690"	36-32667-09	1	18
Label, "Pedestal BA400 Series KA690"	36-32667-10	1	17
Label, "Postcard FTZ" (Not Shown)	36-30422-52	1	16
Label, "Preinstalled Software" (Not Shown)	36-28979-01	1	13
Label, "Serial/Model Canada"	36-32668-03	1	22
Label, "Serial/Model UK"	36-32668-02	1	21
Label, "Serial/Model US"	36-32668-01	1	20
Medallion, "VAX 4000-600"	74-40913-15	1	32
Module Assembly, H3604	70-27402-01	2	2
Module, CPU	L4002-AA	1	1
Module, Power Harness	54-19789-01	1	25
Module, Q-bus Grant Card	M9047-SA	1	2
Nut, Hex No. 1/2-28	90-10563-01	2	8
Package Assembly (Not Shown)	37-01072-07	1	24
Package Assembly, Customer Module (Not Shown)	37-00931-11	2	10
Panel Assembly, Gap Filler	70-24071-01	1	27
Power Cord 120V 10A (2.5M) (BN20A-2E)	17-00083-43	1	10
Power Cord 240V 10A (2.5M) (BN20B-2E) (US/Japan/Canada) (Not Shown)	17-00083-44	1	10

INDEX BY DEC PART DESCRIPTION

VAX 4000 MODEL 600 SYSTEM

DESCRIPTION	DEC PART NO.	FIG. NO.	ITEM NO.
Power Cord 240V 10A (2.5M) (BN22C-2E) (Australia/New Zealand) (Not Shown)	17-00198-11	1	10
Power Cord 240V 10A (2.5M) (BN22D-2E) (Central Europe) (Not Shown)	17-00199-16	1	10
Power Cord 240V 10A (2.5M) (BN22E-2E) (U.K./Ireland) (Not Shown)	17-00209-13	1	10
Power Cord 240V 10A (2.5M) (BN22F-2E) (Switzerland) (Not Shown)	17-00210-10	1	10
Power Cord 240V 10A (2.5M) (BN22H-2E) (Denmark) (Not Shown)	17-00310-10	1	10
Power Cord 240V 10A (2.5M) (BN22J-2E) (Italy) (Not Shown)	17-00364-13	1	10
Power Cord 240V 10A (2.5M) (BN22K-2E) (India/S. Africa) (Not Shown)	17-00456-13	1	10
Power Cord 240V 10A (2.5M) (BN22L-2E) (Israel) (Not Shown)	17-00457-13	1	10
Screw, Self-Tap Phi Pan Hd No. 6-32 x 3/8	90-09514-01	2	4
Screw, Sems Phi Truss Hd No. 6-32 x 1/4	90-00049-06	2	9
Strap, Ground	12-13756-A8	1	3
Strip, Color	74-40914-01	1	33
Tee, BNC Coaxial	12-25869-01	1	4
Washer, Internal Tooth Lock No. 6	90-09882-00	2	5
Washer, Internal Tooth Lock No. 6 (Bronze)	90-00037-05	2	7

READER'S COMMENTS

VAX 4000 Model 600 System
 Illustrated Parts Breakdown
 EK-456AA-IP .A01

1. How did you use this manual? (Circle your response.)

- (a) Installation (c) Maintenance (e) Training
 (b) Operation/Use (d) Programming (f) Other (Please specify) _____

2. Did the manual meet your needs? Yes No Why? _____

3. Please rate the manual on the following categories. (Circle your response.)

	Excellent	Good	Fair	Poor	Unacceptable
Accuracy	5	4	3	2	1
Clarity	5	4	3	2	1
Completeness	5	4	3	2	1
Illustrations, examples	5	4	3	2	1
Overall ease of use	5	4	3	2	1
Table of Content, Index	5	4	3	2	1

4. What things did you like *most* about this manual? _____

5. What things did you like *least* about this manual? _____

6. Please list and describe any errors you found in the manual.

Page	Description/Location of Error
_____	_____
_____	_____
_____	_____
_____	_____

7. Which of the following most clearly describes your job ? (Circle your response.)

- (a) Administrative Support (e) System Manager (i) Education/Trainer
 (b) Manager/Supervisor (f) Computer Operator (j) Sales/Marketing
 (c) Scientist/Engineer (g) Software Support (k) Other (Please specify)
 (d) Programmer/Analyst (h) Hardware Support _____

OPTIONAL INFORMATION

Name _____ Job Title _____
 Street _____ Company _____
 City _____ Department _____
 State/Country _____ Telephone Number _____
 Postal (ZIP) Code _____ Date _____

THANK YOU FOR YOUR COMMENTS AND SUGGESTIONS.

Please do not use this form to order manuals. Contact your representative at Digital Equipment Corporation or (in the USA) call our DEC-direct™ department at this toll-free number : 800-258-1710