

**For: L\_HOLMES**

**Printed on: Thu, Apr 1, 1993 14:36:16**

**From book: defza\_cov**

**Document: defza\_cov\_new**

**Last saved on: Thu, Jan 21, 1993 09:50:05**

**Document: classa\_hardware**

**Last saved on: Fri, Jan 15, 1993 16:42:51**

**Document: title**

**Last saved on: Fri, Jan 29, 1993 10:21:52**

**Document: copyright**

**Last saved on: Mon, Feb 22, 1993 10:48:26**

**Document: toc**

**Last saved on: Thu, Feb 4, 1993 15:03:40**

**Document: safety**

**Last saved on: Thu, Jan 21, 1993 10:34:48**

**Document: preface**

**Last saved on: Mon, Feb 1, 1993 10:12:16**

**Document: ch1**

**Last saved on: Thu, Feb 4, 1993 11:34:05**

**Document: ch2**

**Last saved on: Tue, Feb 2, 1993 10:15:46**

**Document: ch3**

**Last saved on: Tue, Feb 2, 1993 10:33:27**

**Document: ch4**

**Last saved on: Tue, Feb 2, 1993 11:38:17**

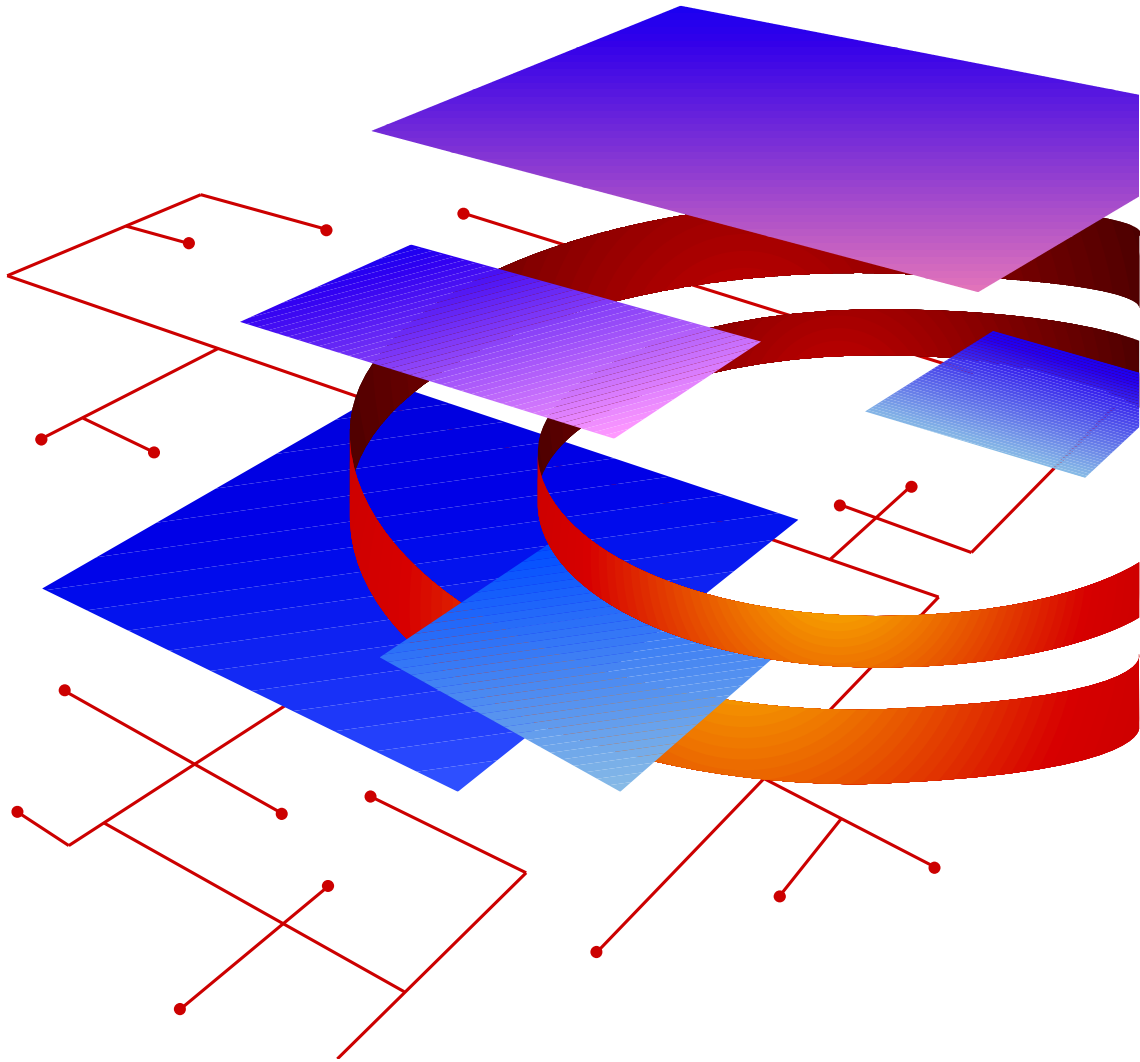
**( ...)**

# DEC FDDIcontroller 700

---



## Installation



Order Number: EK-DEFZA-IN. D01

**NOTICE** – Class A Laser Device:

The lasers in this equipment are Class 1 devices, compliant with CDRH Rules 21, CFR Subchapter J, Part 1040.10, at date of manufacture. Class 1 laser devices are not considered to be hazardous.

**NOTICE** – Class A Computing Device:

This equipment generates, uses, and may emit radio frequency energy. The equipment has been type tested and found to comply with the limits for a Class A computing device pursuant to Subpart J of Part 15 of FCC Rules, which are designed to provide reasonable protection against such radio frequency interference when operated in a commercial environment. Operation of this equipment in a residential area may cause interference; in which case, measures taken to correct the interference are at the user's expense.

**CAUTION**

This equipment is in the 1st Class category (information equipment to be used in commercial and/or industrial areas) and conforms to the standards set by the Voluntary Control Council for Interference by Data Processing Equipment and Electronic Office Machines aimed at preventing radio interference in commercial and/or industrial areas. Consequently, when used in a residential area or in an adjacent area thereto, radio interference may be caused in radios and TV receivers, etc. Read the instructions for correct handling.

# DEC FDDIcontroller 700

---

## Installation

February 1993

This manual describes how to install and verify the operation of the DEC FDDIcontroller 700 controller.

Supersession/Update Information: This is a revised manual.



Order Number: EK-DEFZA-IN. D01

The information in this document is subject to change without notice and should not be construed as a commitment by Digital Equipment Corporation. Digital Equipment Corporation assumes no responsibility for any errors that may appear in this document.

Copyright © 1993 by Digital Equipment Corporation  
All Rights Reserved.  
Printed in U.S.A.

The following are trademarks of Digital Equipment Corporation:

Alpha AXP	DECUS	ThinWire
DEC	DELNI	TURBOchannel
DECconnect	DESTA	VAX
DECnet		VMS

ST is a trademark of American Telephone and Telegraph Co.

IBM is a registered trademark of International Business Machines Incorporated.

This manual was produced by Telecommunications and Networks Publications.

---

# Contents

## Safety

## Preface

## 1 Unpacking the Controller

1.1	Overview .....	1-1
1.2	Unpacking and Checking the Contents .....	1-3

## 2 Installing the Controller

2.1	Setting the Media Selection Switch .....	2-1
2.2	Preparing the Computer for Installation .....	2-2
2.3	Installing the Controller .....	2-3
2.4	Connecting the Communications Cables .....	2-5
2.4.1	Connecting ST-type Connectors .....	2-5
2.4.2	Connecting ThinWire and STP Connectors .....	2-6

## 3 Verifying and Testing the Controller

3.1	Performing Self-test .....	3-1
3.2	Verifying the System Configuration .....	3-2
3.2.1	Verifying a Configuration Based on a MIPs System .....	3-2
3.2.1.1	Correcting a Configuration Display Problem .....	3-2

3.2.2	Verifying a Configuration Based on an Alpha AXP System .....	3-3
3.2.3	Verifying and Testing a Configuration Based on a VAX System .....	3-3
3.3	Booting the System .....	3-5

## 4 Troubleshooting the Controller

4.1	Running Self-test .....	4-1
4.1.1	Error Messages .....	4-2
4.1.2	Solving Hardware Problems .....	4-3

## A Related Documents

### Index

### Figures

1-1	Controller Components .....	1-2
1-2	Connecting the Controller to the FDDI Network .....	1-3
1-3	Contents of Shipping Package .....	1-4
2-1	Media Selection Switch .....	2-2
2-2	Example of Removing the Option Slot Cover .....	2-3
2-3	Example of Installing the Controller .....	2-4
2-4	Example of Connecting the ST-type Connectors .....	2-6
2-5	Example of Connecting the ThinWire and STP Connectors ...	2-7

### Tables

4-1	Controller LED Displays (After System Boot) .....	4-1
-----	---	-----

---

## Safety

Any warning or caution that appears in this manual is defined as follows:

---

<b>Warning</b>	Contains information to prevent personal injury.
<b>Caution</b>	Contains information to prevent damage to equipment.
<b>Vorsicht</b>	Enthält Informationen, die beachtet werden müssen, um den Benutzer vor Schaden zu bewahren.
<b>Achtung</b>	Enthält Informationen, die beachtet werden müssen, um die Geräte vor Schaden zu bewahren.
<b>Danger</b>	Signale les informations destinées à prévenir les accidents corporels.
<b>Attention</b>	Signale les informations destinées à prévenir la détérioration du matériel.
<b>Aviso</b>	Contiene información para evitar daños personales.
<b>Precaución</b>	Contiene información para evitar daños al equipo.

---



The cautions you must observe for the hardware described in this manual appear below in English, German, French, and Spanish, along with the pages on which these safety messages appear.

---

**WARNING** 

Some fiber optic equipment can emit laser light that can injure your eyes. Never look into an optical fiber or connector port. Always assume the cable is connected to a light source. [2–5]

**VORSICHT**

Schauen Sie niemals direkt in ein Glasfaserkabel oder einen Glasfaseranschluß. Die Laserstrahlen in faser-optischen Geräten können Augenverletzungen verursachen.

**DANGER**

Certains équipements utilisant les fibres optiques peuvent émettre des rayonnement laser dangereux pour les yeux. Ne vous avisez jamais de regarder par l'extrémité d'une fibre optique ou dans l'ouverture d'un connecteur. Considérez toujours que le câble est relié à une source lumineuse.

**AVISO**

Algunos equipos de fibra óptica pueden emitir luz láser que daña los ojos. No se debe mirar en una puerta de conector o fibra óptica. Siempre se debe suponer que el cable está conectado a la luz.

---

---

**CAUTION** 

Static electricity can damage modules and electronic components. Digital recommends using a grounded antistatic wrist strap and a grounded work surface when handling any modules. [1–3, 4–3]

**ACHTUNG**

Module und elektronische Komponenten können durch elektrostatische Entladungen beschädigt werden. Benutzen Sie immer eine antistatische Gelenkmanschette und eine geerdete Arbeitsunterlage, wenn Sie am offenen Gerät arbeiten.

**ATTENTION**

Les charges excessives d'électricité statique peuvent endommager les modules et les composants électroniques. Digital conseille l'utilisation d'un bracelet de masse et d'un plan de travail mis à la terre lors de la manipulation des modules.

**PRECAUCIÓN**

La electricidad estática puede dañar los componentes electrónicos y los módulos. Digital recomienda que se utilicen cintas de pasadores y superficies de trabajo conectadas a tierra al trabajar con cualquier módulo.

---

---

## Preface

This manual explains how to install the DEC FDDIcontroller 700 and the DEC FDDIcontroller 700-C in a TURBOchannel-based platform and how to verify its installation and operation.

### Intended Audience

This manual is for the user who has some technical background installing system hardware.

### Structure of This Manual

This manual has four chapters and an appendix, as follows:

- Chapter 1** Provides an overview and description of the DEC FDDIcontroller 700 and DEC FDDIcontroller 700-C.
- Chapter 2** Contains installation procedures.
- Chapter 3** Contains controller verification and testing procedures.
- Chapter 4** Contains troubleshooting procedures.
- Appendix A** Lists related documents.

## Conventions Used in This Manual

The following conventions are used in this manual.

Special type	Indicates a literal example of system output.
<b>bold</b>	Indicates a command format that you enter.
lowercase	When a command appears in lowercase, type in a command format. In an example, enter the characters in lowercase.
<span style="border: 1px solid black; padding: 2px;">Key</span>	Indicates that you press the specified key. For example, <span style="border: 1px solid black; padding: 2px;">Return</span> means that you press the Return key.
<span style="border: 1px solid black; padding: 2px;">Ctrl/x</span>	Indicates that you hold down the CONTROL key and simultaneously press the key specified by <i>x</i> .

The postage-paid Reader's Comments form on the last page of this document requests your evaluation of this document to assist us in preparing future documentation.

---

## Unpacking the Controller

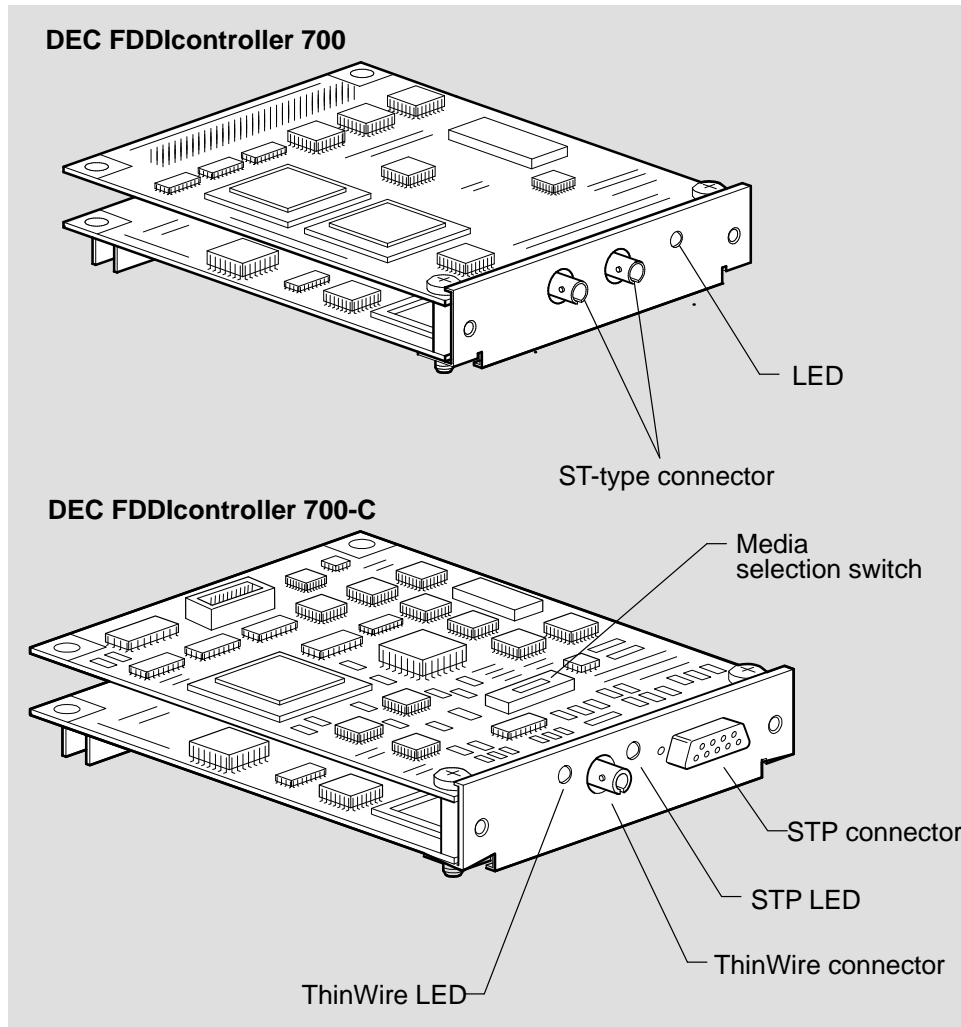
This chapter describes the DEC FDDIcontroller 700 and the DEC FDDIcontroller 700-C for TURBOchannel-based computers. The controller is an option that provides a direct connection between a TURBOchannel slot and the network. From this point on in the manual, the DEC FDDIcontroller 700 controller is called the DEC FDDIcontroller 700 or controller.

### 1.1 Overview

The DEC FDDIcontroller 700 and the DEC FDDIcontroller 700-C both consist of two circuit cards in a piggyback configuration with a 96-pin connector providing the connection between the circuit cards (see Figure 1-1).

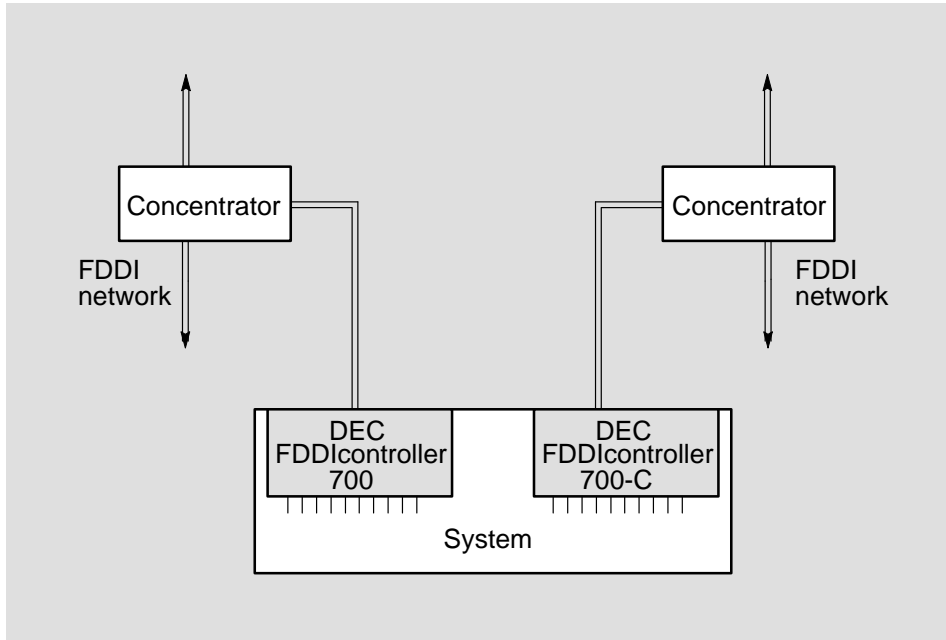
The DEC FDDIcontroller 700 is a single attachment station (SAS) that connects to an FDDI network through ST-type connectors. The DEC FDDIcontroller 700-C connects to an FDDI network through a ThinWire or STP connector (see Figure 1-2).

**Figure 1-1: Controller Components**



LKG-7455-931

**Figure 1–2: Connecting the Controller to the FDDI Network**



LKG-7456-931

## 1.2 Unpacking and Checking the Contents

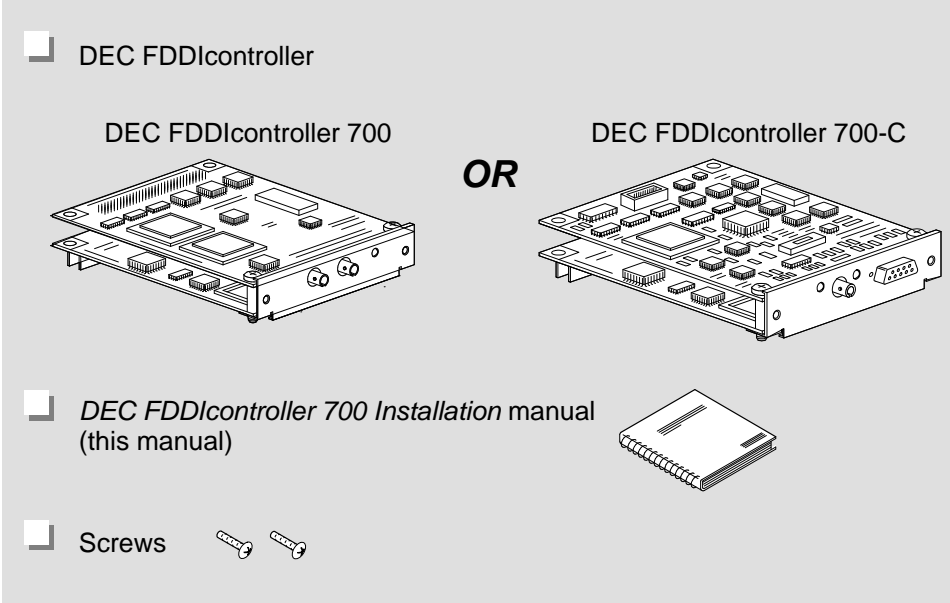
### CAUTION

Static electricity can damage modules and electronic components. Digital recommends using a grounded antistatic wrist strap and a grounded work surface when handling any modules.

The controller is shipped in one box (see Figure 1–3 for contents). Remove the contents from the box and place them nearby until you are ready to install the controller.

Check the shipment for damage and missing parts. In case of damage, contact your delivery agent and your Digital sales representative. If parts are missing, contact your Digital sales representative.

Figure 1-3: Contents of Shipping Package



LKG-7457-93I



---

## Installing the Controller

This chapter explains how to install the DEC FDDIcontroller 700 and the DEC FDDIcontroller 700-C. Installing your controller includes:

1. Setting the media selection switch (DEC FDDIcontroller 700-C only)
2. Preparing the computer for installation
3. Installing the controller
4. Connecting the communications cable

### NOTE

If you are installing the controller in a VAX 4000, Model 60 or Model 90 unit, you first need to install an adapter for your DEC FDDIcontroller 700. If you do not have the adapter, contact your Digital Services representative and order the adapter kit (P/N DWCTX-BX).

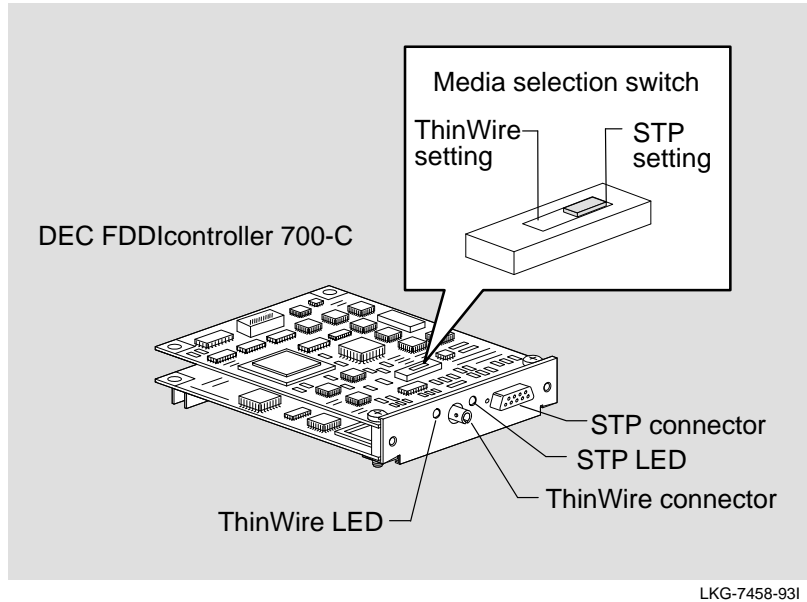
### 2.1 Setting the Media Selection Switch

#### NOTE

This procedure applies only to the DEC FDDIcontroller 700-C. If you have a DEC FDDIcontroller 700, go to Section 2.2.

The DEC FDDIcontroller 700-C has a media selection switch that must be set according to the type of network connection (see Figure 2-1). The LED next to the ThinWire and the STP connectors indicates the selected media. The factory setting is for STP.

**Figure 2-1: Media Selection Switch**

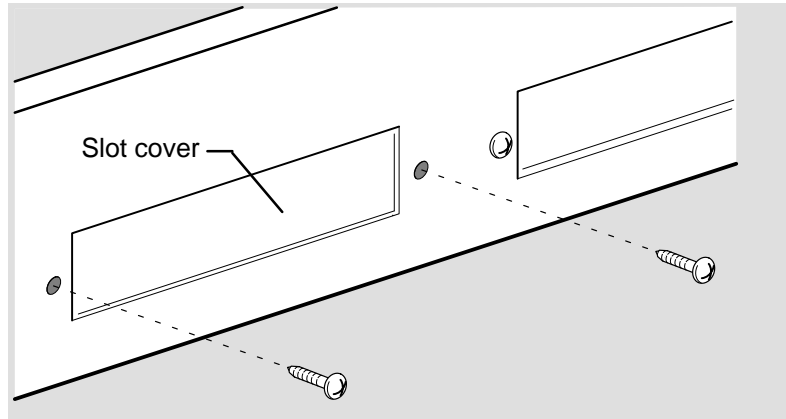


## 2.2 Preparing the Computer for Installation

To prepare the computer for installation you need a Phillips-head screwdriver and an antistatic wrist strap kit. Perform the following steps:

1. Power off the system.
2. Remove the cover from the computer. Refer to your computer documentation for instructions on how to do this.
3. Refer to your computer documentation to determine which slot(s) can be used.
4. Remove the option slot cover from one of the TURBOchannel option slots (see Figure 2-2). Remove the two screws that hold the option slot cover in place. Save the option slot cover and the two screws.

**Figure 2–2: Example of Removing the Option Slot Cover**



LKG-7348-921

## 2.3 Installing the Controller

To install the controller into the computer, perform the following eight steps:

### CAUTION

Static electricity can damage modules and electronic components. Digital recommends using a grounded antistatic wrist strap and a grounded work surface when handling any modules.

1. Attach one end of the antistatic wrist strap to your wrist and the other end to the computer.
2. Hold the controller by the edges and position it so that it is parallel with the bottom of the computer (see Figure 2–3), its 96-pin connector is facing down, and its network connectors are facing the option-slot opening in the back of the computer.
3. Insert the connectors through the option-slot opening in the back of the computer.
4. Push the 96-pin connector into the TURBOchannel connector on the computer's circuit card.

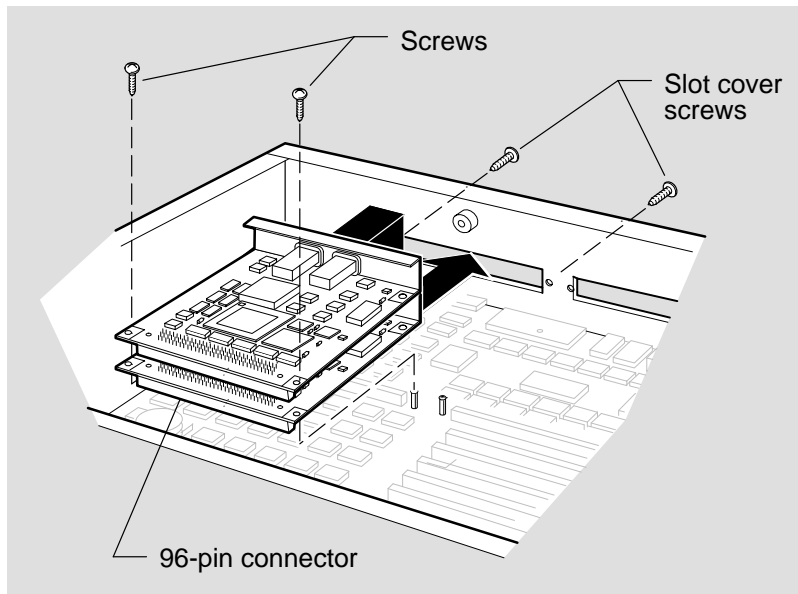
5. Fasten the controller to the computer's circuit card with the two screws supplied in the controller shipping package.

**NOTE**

If your unit has two nylon clips on both sides of the 96-pin connector, push the controller onto the nylon pins and make sure the clips snap in place.

6. Insert the two screws, which held the option slot cover on, into the back of the computer to hold the controller in place (see Figure 2-3).
7. Remove the antistatic wrist strap from your wrist and from the computer.
8. Install the cover on the computer. Refer to your computer documentation for instructions on how to do this.

**Figure 2-3: Example of Installing the Controller**



LKG-7349-921

## 2.4 Connecting the Communications Cables

To connect a controller with ST-type connectors, go to Section 2.4.1. To connect a controller with a ThinWire or STP connector, go to Section 2.4.2.

### 2.4.1 Connecting ST-type Connectors

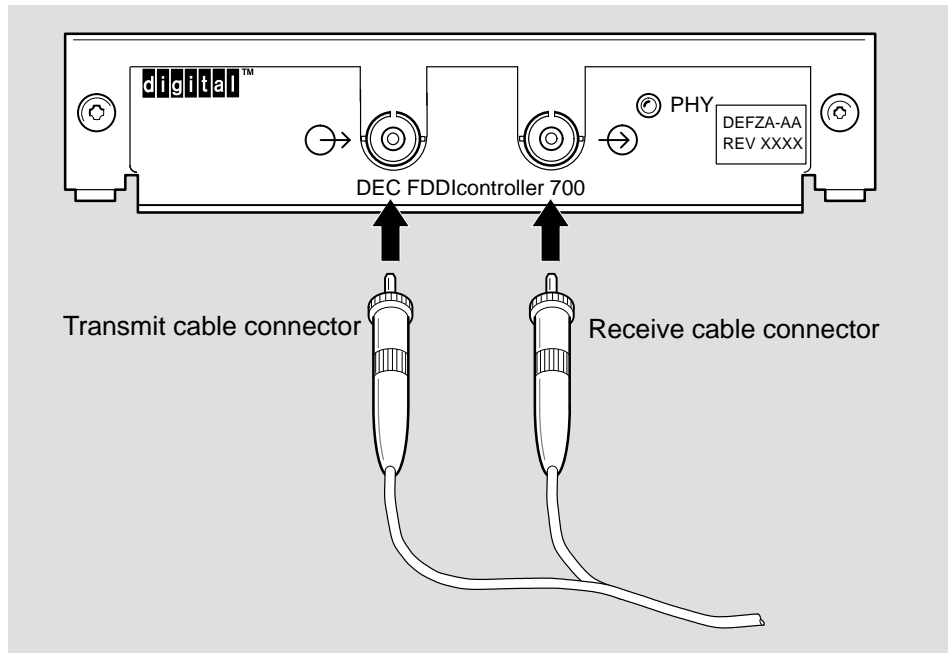
To attach the ST-type connectors to the controller, perform the following steps (see Figure 2-4):

1. Remove the dust caps from the ST-type connectors.
2. Line up the transmit cable connector with the transmit port (⊕). Insert and turn the connector to lock it in place.
3. Line up the receive cable connector with the receive port (⊖). Insert and turn the connector to lock it in place.

#### **WARNING**

Some fiber optic equipment can emit laser light that can injure your eyes. Never look into an optical fiber or connector port. Always assume the cable is connected to a light source.

**Figure 2-4: Example of Connecting the ST-type Connectors**

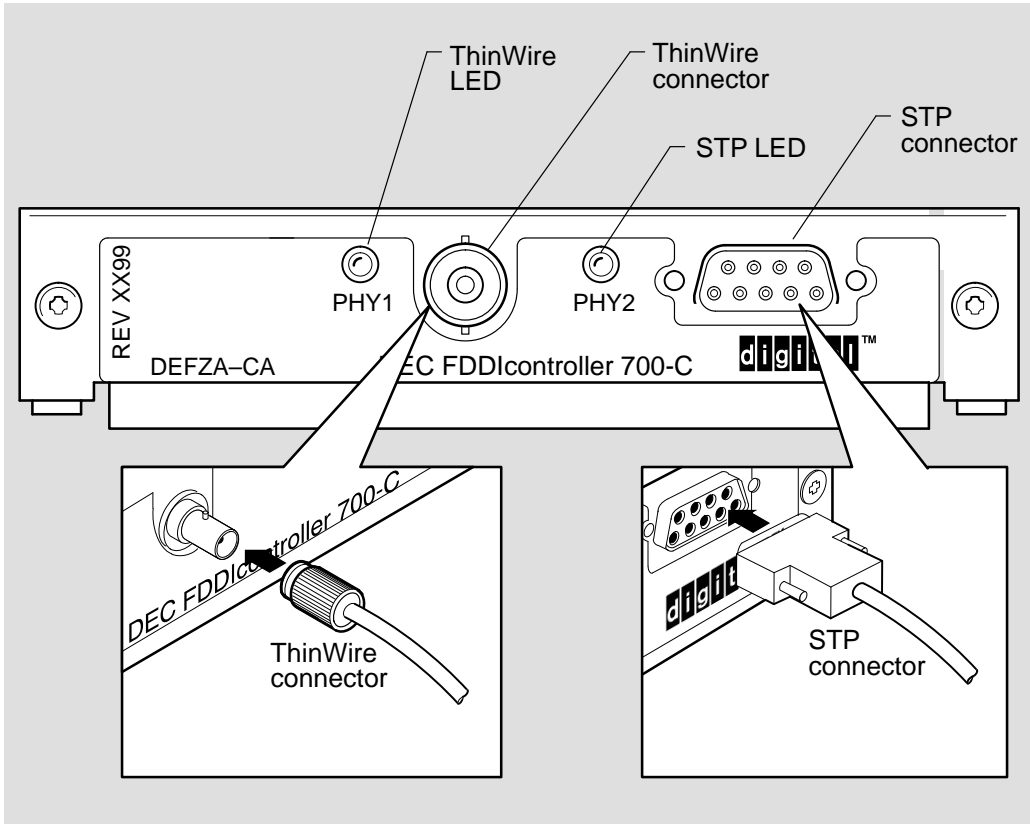


#### **2.4.2 Connecting ThinWire and STP Connectors**

To attach ThinWire or STP connectors to the controller, perform one of the following (see Figure 2-5):

- To attach a ThinWire connector, insert and turn the connector a quarter turn to lock it in place.
- To attach an STP connector, insert and push the connector firmly to lock in place.

**Figure 2-5: Example of Connecting the ThinWire and STP Connectors**



LKG-7460-93I

---

## Verifying and Testing the Controller

Once you install the controller, verify that it is working and that you have a communication link. Verifying your controller operation involves the following:

1. Performing self-test
2. Verifying the system configuration
3. Booting your system and verifying the FDDI communications connection

### 3.1 Performing Self-test

Turning on the power for Alpha AXP and MIPs systems starts the controller self-test. When self-test completes, the PHY LED on the controller will be OFF indicating the controller is working properly. If the PHY LED is ON (RED), contact your Digital Services representative. For information about system self-test, refer to your system documentation.

#### NOTE

The VAX system does not test the controller at power-up. For information on testing the controller based on a VAX system, go to Section 3.2.3.



## 3.2 Verifying the System Configuration

Once the computer successfully completes self-test, verify that the system configuration recognizes the controller by performing one of the following procedures:

- If your machine is based on a MIPS system, go to Section 3.2.1.
- If your machine is based on an Alpha AXP system, go to Section 3.2.2.
- If your machine is based on a VAX system, go to Section 3.2.3.

### 3.2.1 Verifying a Configuration Based on a MIPS System

Type **cnfg** at the system prompt and press **Return**. The following is an example of the configuration display that appears on the screen:

```
7: KN02-AA DEC V5.1a TCF0 (24MB)
6: PMAD-AA DEC V5.1A TCF0 (enet 08-00-2b-15-C3-41)
5: PMAZ-AA DEC V5.1a TCF0 (SCSI=7)
>>> 2: PMAF-AA DEC T5.2P- TCF0 (fddi: 08-00-2b-17-C5-FF)
0: PMAG-BA DEC V5.1a TCF0 (cfb - - d=8)
```

In this example, the controller (PMAF-AA) is in option slot 2 and has a physical address of *08-00-2b-17-C5-FF*. If the controller is listed, go to Section 3.3. If the controller does not appear in the configuration display, refer to Section 3.2.1.1 for problem-solving information.

#### 3.2.1.1 Correcting a Configuration Display Problem

If your controller does not appear in the display, perform the following:

1. Verify that the PHY LED on the controller is ON (RED). This indicates that the controller failed self-test. The failure may be due to improper installation. For information on solving hardware problems, refer to Section 4.1.2.
2. Turn the computer power off.
3. Check the connections on the controller and the computer.
4. Perform the self-test and system configuration procedures (see Section 3.1 and Section 3.2). If the problem persists, contact your Digital Services representative. Otherwise, go to Section 3.3.

### 3.2.2 Verifying a Configuration Based on an Alpha AXP System

Type **t tcn cnfg** (*n* representing the slot number for the controller) at the system prompt and press **Return**. The following is an example of the configuration display that appears on the screen:

```
DEC PMAF-AA V5.3a (fddi :08-00-2b-a0-1f-04)
```

If the controller is listed, go to Section 3.3. If the controller does not appear in the configuration display, refer to Section 3.2.1.1 for problem-solving information.

### 3.2.3 Verifying and Testing a Configuration Based on a VAX System

To verify and test configuration based on a VAX system perform the following steps:

1. Change the system prompt to the test utility prompt by entering **test/util tca** at the system prompt and pressing **Return**. The system displays the following message and the test utility prompt:

```
>>> test/util tca
.....TURBOCHANNEL REX EMULATOR.....
>>
```

2. Verify the configuration by entering **t tc0 cnfg** at the text utility prompt and press **Return**. The system displays the following message:

```
DEC PMAF-AA V5.3a (fddi: 08-00-2b-20-a2-03)
>>
```

3. Test the configuration by entering **t tc0 pst-q** at the test utility prompt and pressing **Return**. The system displays the following tests:

```
>> t tc0 pst-q
#E mul: t tc0 pst-q-

t#/ flash
t#/ eprom
t#/ 68K
t#/ sram
t#/ rmap
t#/ phycsr
t#/ mac
?TFL: # elm test failed [PMAF-AA]*
t#/ cam
t#/ nirom
t#/ intlpbk
t#/ iplsaf
t#/ pmccsr
t#/ rmc
t#/ pktmem
t#/ botim
t#/ rtostim
t#/ extlpbk
t#/ extmemtst
t#/ dmatst
```

\* **?TFL: # elm test failed [PMAF-AA]** is an error message and indicates the ELM chip test failed. Refer to Section 4.1.1 for a description of error messages.

When you successfully complete the system tests, enter **Ctrl/D** to return to the system prompt. For information on error messages, go to Section 4.1.1.

### 3.3 Booting the System

Once you verify the configuration, boot the operating system. Refer to your operating system documentation for instructions on how to perform this. After booting, check that the controller PHY LED is ON (STEADY GREEN) indicating a LINK AVAILABLE state if connected to network. If the LED is not STEADY GREEN, refer to Chapter 4 for information on troubleshooting.

The controller is working properly and the installation is now complete.

---

## Troubleshooting the Controller

This chapter explains how to check that the controller is working properly. It also describes the controller LED displays and error messages.

### 4.1 Running Self-test

If the controller fails self-test, the PHY LED on the controller turns on (RED) and error messages appear on the console screen. Table 4–1 describes LED displays for problems and possible corrective actions. Section 4.1.1. contains a list of error messages.

**Table 4–1: Controller LED Displays (After System Boot)**

LED Display	Probable Cause	Corrective Action
LED OFF	Controller not enabled.	Check the console for error messages. Refer to the list of error messages in Section 4.1.1
	LED or controller broken.	Contact your Digital Services representative.
LED steady red	Unsupported configuration or ring topology.	Notify your system manager. Reconfigure the cable connections or ring topology.
LED blinking red	Unsupported configuration or ring topology.	Notify your system manager. Reconfigure the cable connections or ring topology.
	Link Confidence Test failure.	Check cable connections.
LED blinking green	Unable to connect. No cable attached.	Check cable connections. Interchange cable connections.
	Operational fault detected.	Check system error log.
LED steady green	Controller enabled. Physical connection established.	None.

### 4.1.1 Error Messages

In addition to the LED indicating a controller failure, one or more of the following error messages may appear on the system console display:

```
t#/ flash
?TFL: # eprom test failed [PMAF-AA]
?TFL: # 68K test failed [PMAF-AA]
?TFL: # sram test failed [PMAF-AA]
?TFL: # rmap test failed [PMAF-AA]
?TFL: # phycsr test failed [PMAF-AA]
?TFL: # mac test failed [PMAF-AA]
?TFL: # elm test failed [PMAF-AA]
?TFL: # cam test failed [PMAF-AA]
?TFL: # nirom test failed [PMAF-AA]
?TFL: # intlpbk test failed [PMAF-AA]
?TFL: # iplsaf test failed [PMAF-AA]
?TFL: # pmccsr test failed [PMAF-AA]
?TFL: # rmc test failed [PMAF-AA]
?TFL: # pktmem test failed [PMAF-AA]
?TFL: # botim test failed [PMAF-AA]
?TFL: # rtostim test failed [PMAF-AA]
?TFL: # extlpbk test failed [PMAF-AA]
?TFL: # extmmtst test failed [PMAF-AA]
?TFL: # dmatst test failed [PMAF-AA]
```

The following is an explanation of an error message:

- t#/ is not an error message. This indicates that the test passed.
- The question mark at the beginning of the line indicates that this is an error message.
- The three letters that follow the question mark indicate that a test has failed.

If any letters other than TFL appear in this location, call your system manager or your Digital Services representative.

- A number appearing in place of the # character indicates the slot location of the controller.
- The remainder of the message indicates the test that failed and the controller part number.

#### 4.1.2 Solving Hardware Problems

### CAUTION

Static electricity can damage modules and electronic components. Digital recommends using a grounded antistatic wrist strap and a grounded work surface when handling any modules.

The following list provides possible solutions to a number of hardware problems:

- Be sure that the controller is inserted tightly in its slot and that anything connected to it is connected correctly.
- If you have another controller that works, try it in that slot. If the test no longer fails, the problem is in the controller. If the test continues to fail, the problem is in the system.
- If you do not have another controller that works, move the controller to another slot. If the test no longer fails, the problem is in the system. If the test continues to fail, the problem is in either the controller or the system.

If the problem persists after trying these suggestions, contact your Digital Services representative.

---

## Related Documents

For additional information about the installation and testing of the DEC FDDI controller 700, refer to the following documents:

- Your workstation or system documentation kit
- *DECconcentrator 500 Installation* (Order No. EK-DEFKN-IN)  
This manual describes how to configure and install the DECconcentrator 500.
- *DECbridge 500/600 Series Installation and Upgrade* (Order No. EK-DEFEB-IN)  
This manual describes how to install and upgrade DECbridge 500 Series and DECbridge 600 Series units.
- *Fiber Distributed Data Interface System Level Description* (Order No. EK-DFSLD-SD)  
This manual describes the FDDI system, how it works, and the role of the individual components.
- *Fiber Distributed Data Interface Network Configuration Guidelines* (Order No. EK-DFDDI-CG)  
This manual describes the guidelines for connecting devices to an FDDI network. It also includes network configuration examples.
- *A Primer on FDDI: Fiber Distributed Data Interface Version 2.0* (Order No. EC-HI580-42/92 07)  
This manual describes the features, topologies, and components of the FDDI local area network (LAN) standard.



---

# Index

## B

Booting the System, 3–5

## C

Cable, connecting the FDDI communications, 2–5

Configuration display, 3–2, 3–3

Connector

ST-Type, 2–5

STP, 2–6

ThinWire, 2–6

Controller description, 1–1

Controller kit, contents, 1–3

## D

Diagnostics, 4–1

## E

Error messages, 4–1, 4–2

## F

FDDI, 1–1

FDDI network, connection to, 1–3

## H

Hardware problems, 4–3

## I

Installation

connecting the cables, 2–5

installing the controller, 2–3

preparing the computer, 2–2

## L

LED display, 4–1

LINK AVAILABLE state, 3–5

## M

Media Selection Switch, 2–1, 2–2

## O

Option slots, 2–4

## **P**

PHY LED, 4-1

## **S**

Self-test, performing, 3-1

Self-test, 4-1

Static electricity, 1-3, 2-3

## **T**

Test display, 4-1

Troubleshooting, 4-1

TURBOchannel, 1-1

## **V**

Verifying system configuration, 3-2

    based on Alpha AXP, 3-3

    based on MIPs, 3-2

    based on VAX, 3-3

## HOW TO ORDER ADDITIONAL DOCUMENTATION

### DIRECT TELEPHONE ORDERS

In Continental USA  
call 1-800-DIGITAL  
(1-800-344-4825)

In Canada  
call 800-267-6215

In New Hampshire,  
Alaska or Hawaii  
call 603-884-6660

### ELECTRONIC ORDERS (U.S. ONLY)

Dial 800-dec-demo with any VT100 or VT200  
compatible terminal and a 1200 baud modem.

If you need assistance, call 1-800-DIGITAL (1-800-344-4825)

### DIRECT MAIL ORDERS (U.S. and Puerto Rico\*)

DIGITAL EQUIPMENT CORPORATION  
P.O. Box CS2008  
Nashua, New Hampshire 03061

### DIRECT MAIL ORDERS (Canada)

DIGITAL EQUIPMENT OF CANADA LTD.  
940 Belfast Road  
Ottawa, Ontario, Canada K1G 4C2  
Attn: A&SG Business Manager

### INTERNATIONAL

DIGITAL EQUIPMENT CORPORATION  
A&SG Business Manager  
c/o Digital's local subsidiary  
or approved distributor

Internal orders should be placed through Publishing and Circulation Services (P&CS),  
Digital Equipment Corporation, 444 Whitney Street, NRO2, Northboro, Massachusetts 01532-2597

\*Any prepaid order from Puerto Rico must be placed  
with the Local Digital Subsidiary:  
809-754-7575

**Please return this card.**

Your comments and suggestions will help us improve the quality and usefulness of our documentation.

Did you use the manual as a reference or as a step by step procedure to install the device?

\_\_\_\_\_

Were the instructions easy to follow? \_\_\_\_\_

Were the instructions complete? \_\_\_\_\_

Were they in the proper sequence? \_\_\_\_\_

Which chapters or sections were most helpful? \_\_\_\_\_

\_\_\_\_\_

Did you use the appendices? Which ones? \_\_\_\_\_

\_\_\_\_\_

Were the illustrations helpful? \_\_\_\_\_ All? \_\_\_\_\_ Some? \_\_\_\_\_ Which ones? \_\_\_\_\_

\_\_\_\_\_

Were some illustrations unnecessary? \_\_\_\_\_ Which ones? \_\_\_\_\_

Do you think the manual needs more illustrations? \_\_\_\_\_ Please give an example. \_\_\_\_\_

\_\_\_\_\_

Thank you.

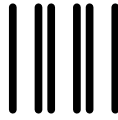
Name \_\_\_\_\_ Date \_\_\_\_\_

Title \_\_\_\_\_ Department \_\_\_\_\_

Organization \_\_\_\_\_ Street \_\_\_\_\_

City \_\_\_\_\_ State/Country \_\_\_\_\_ Zip Code \_\_\_\_\_

DO NOT CUT – FOLD HERE AND TAPE



NO POSTAGE  
NECESSARY  
IF MAILED  
IN THE  
UNITED STATES

**BUSINESS REPLY LABEL**

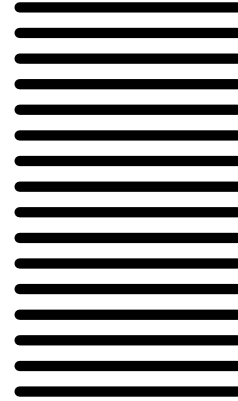
FIRST CLASS PERMIT NO. 33 MAYNARD MASS.

POSTAGE WILL BE PAID BY ADDRESSEE

**digital**™

**Telecommunications and  
Networks Publications**

550 King Street  
Littleton, MA 01460–1289



DO NOT CUT – FOLD HERE

**digital**

Printed in U.S.A.