

Rackmount DEC 7000 AXP and VAX 7000 Systems

Installation/Owner's Guide

Order Number: EK-R7000-IN.A01

Revision/Update Information: This is a new manual

December 1993

The reproduction of this material, in part or whole, is strictly prohibited. For copy information, contact the Digital Education and Training Department, Digital Equipment Corporation, Maynard, Massachusetts 01754.

The information in this document is subject to change without notice and should not be construed as a commitment by Digital Equipment Corporation. Digital Equipment Corporation assumes no responsibility for any errors that may appear in this document.

FCC NOTICE: This equipment has been tested and found to comply with the limits for a Class A digital device, pursuant to Part 15 of the FCC Rules. These limits are designed to provide reasonable protection against harmful interference when the equipment is operated in a commercial environment. This equipment generates, uses, and can radiate radio frequency energy and, if not installed and used in accordance with the instruction manual, may cause harmful interference to radio communications.

Any changes or modifications made to this equipment may void the user's authority to operate this equipment.

Operation of this equipment in a residential area may cause interference in which case the user at his own expense will be required to take whatever measures may be required to correct the interference.

© Digital Equipment Corporation 1993. All Rights Reserved.

Printed in U.S.A.

The following are trademarks of Digital Equipment Corporation: AXP, DEC, VAX, VAX DOCUMENT, and the DIGITAL Logo.

All other trademarks and registered trademarks are the property of their respective holders.

This document was prepared using VAX DOCUMENT Version 2.1.

Contents

| | |
|--|------|
| Preface | ix |
| 1 Introduction | |
| 1.1 General | 1-1 |
| 1.2 Laser System Bus (BA700-AA) Chassis | 1-3 |
| 1.2.1 LSB Chassis Card Cage | 1-4 |
| 1.2.2 LSB Chassis Control Panel | 1-5 |
| 1.2.3 LSB Chassis Power Supply | 1-7 |
| 1.3 Extended Memory Interface (BA601-AC) Chassis | 1-8 |
| 1.3.1 XMI Chassis Card Cage | 1-9 |
| 1.3.2 XMI Chassis Control Panel | 1-10 |
| 1.3.3 XMI Chassis Power Supply | 1-13 |
| 1.3.4 XMI Chassis I/O Bulkhead | 1-16 |
| 1.4 Specifications | 1-17 |
| 1.4.1 LSB Chassis Specifications | 1-17 |
| 1.4.2 XMI Chassis Specifications | 1-18 |
| 2 Installation | |
| 2.1 Introduction | 2-1 |
| 2.2 Site Preparation | 2-2 |
| 2.2.1 Environmental Requirements | 2-2 |
| 2.2.2 Electrical Requirements | 2-2 |
| 2.3 Checking the Shipment | 2-3 |
| 2.4 Installing the LSB Chassis | 2-5 |
| 2.4.1 Installing the LSB Chassis Slides | 2-6 |
| 2.4.2 Installing the LSB Chassis on the Slides | 2-11 |
| 2.5 Installing the XMI Chassis | 2-13 |
| 2.5.1 Installing the XMI Chassis Slides | 2-14 |
| 2.5.2 Installing the XMI Chassis on the Slides | 2-18 |
| 2.6 Cabling | 2-20 |
| 2.6.1 Connecting the I/O Cable (PN 17-03085-02) | 2-20 |

| | | |
|-------|---|------|
| 2.6.2 | Connecting the DEC Power Bus Cable (PN 70-31534-01) | 2-23 |
| 2.6.3 | Connecting the Console Cable (PN 17-01364-02) | 2-24 |
| 2.7 | Connecting the Power Cords | 2-25 |
| 2.7.1 | LSB Chassis Power Cord (PN 17-00083-37) | 2-25 |
| 2.7.2 | XMI Chassis Power Cord | 2-25 |

3 Operation

4 Troubleshooting

5 Removal and Replacement

| | | |
|--------|--|------|
| 5.1 | Introduction | 5-1 |
| 5.2 | LSB Chassis Components | 5-2 |
| 5.2.1 | Front Bezel | 5-2 |
| 5.2.2 | Extending the LSB Chassis for Service | 5-4 |
| 5.2.3 | Top Cover | 5-6 |
| 5.2.4 | CPU and Memory Modules | 5-8 |
| 5.2.5 | I/O Port Controller (IOP) Module (E2044-AA) | 5-10 |
| 5.2.6 | Left Side Cover | 5-12 |
| 5.2.7 | 48 Vdc Power Supply (PN 30-39348-02) | 5-14 |
| 5.2.8 | Control Panel (PN 54-21719-01) | 5-16 |
| 5.2.9 | Blower Assembly (PN 12-41009-01) | 5-20 |
| 5.2.10 | AC Input Box (PN 30-39579-01) | 5-22 |
| 5.3 | XMI Chassis Components | 5-24 |
| 5.3.1 | Front Bezel | 5-24 |
| 5.3.2 | Extending the XMI Chassis for Service | 5-26 |
| 5.3.3 | Top Cover | 5-28 |
| 5.3.4 | Bottom Cover | 5-29 |
| 5.3.5 | Control Panel Bezel (PN 70-22117-01) | 5-31 |
| 5.3.6 | Control Panel Module (PN 54-16574-02) | 5-33 |
| 5.3.7 | XTC Timing Module (PN 70-31509-01) | 5-35 |
| 5.3.8 | AC Front End Trays (PN 70-27334-01) | 5-37 |
| 5.3.9 | +5 Vdc Regulator Trays (PN 70-29046-01 and 70-29046-02) | 5-42 |
| 5.3.10 | Sequencer and Auxiliary DC Voltage Regulator Tray (PN 70-29046-03) | 5-47 |
| 5.3.11 | 3.3 Vdc/-5.2 Vdc Regulator Tray (PN 70-29046-04) | 5-50 |
| 5.3.12 | 24 Vdc Fan (PN 12-23374-07) | 5-52 |
| 5.3.13 | Airflow Sensors (PN 12-36060-01) | 5-54 |
| 5.3.14 | AC Input Assembly (PN 70-31008-01) | 5-56 |

| | | |
|--------|--------------------------------|------|
| 5.3.15 | TF85 Tape Drive | 5-59 |
| 5.3.16 | TF85 Interface Board | 5-60 |
| 5.3.17 | RRD42 CD-ROM Reader | 5-61 |

A Option Installation

| | | |
|-----|---|-----|
| A.1 | Introduction | A-1 |
| A.2 | Accessing the XMI Card Cage | A-1 |
| A.3 | Cabling of Options Installed in the XMI Chassis | A-4 |
| A.4 | Installing the 2T-CIXCD-RA Option | A-6 |

B Field Replaceable Units

C Send Us Your Comments

Figures

| | | |
|------|--|------|
| 1-1 | Two DEC 7000 AXP and VAX 7000 Systems in an H9702 Cabinet | 1-2 |
| 1-2 | LSB (BA700-AA) Chassis with Covers Removed | 1-3 |
| 1-3 | LSB Chassis Control Panel | 1-5 |
| 1-4 | XMI (BA601-AC) Chassis with Top Cover Removed | 1-8 |
| 1-5 | XMI Chassis Control Panel | 1-10 |
| 1-6 | Power Supply Tray Assemblies (XMI Chassis Bottom View) | 1-15 |
| 1-7 | I/O Bulkhead | 1-16 |
| 2-1 | Contents of Shipping Cartons | 2-4 |
| 2-2 | LSB Chassis Equipment Mounting Slides | 2-6 |
| 2-3 | LSB Chassis Slide Mounting Pattern | 2-8 |
| 2-4 | Installing the Equipment Mounting Slides (Rear View of Left Slide with Slide Extended) | 2-9 |
| 2-5 | Installing the LSB Chassis on the Slides | 2-12 |
| 2-6 | XMI Chassis Equipment Mounting Slides | 2-14 |
| 2-7 | XMI Chassis Slide Mounting Pattern | 2-16 |
| 2-8 | Installing the Equipment Mounting Slides (Rear View of Left Slide with Slide Extended) | 2-17 |
| 2-9 | Installing the XMI Chassis on the Slides | 2-19 |
| 2-10 | Connecting the I/O Cable to the IOP Module | 2-21 |

| | | |
|------|--|------|
| 2-11 | Connecting the I/O Cable to the XMI Bulkhead Connector | 2-22 |
| 2-12 | DEC Power Bus and Console Cable Connectors | 2-23 |
| 5-1 | Removing the Front Bezel from the LSB Chassis | 5-3 |
| 5-2 | Extending the LSB Chassis | 5-5 |
| 5-3 | Removing the Top Cover | 5-7 |
| 5-4 | Removing the CPU and Memory Modules | 5-9 |
| 5-5 | Removing the IOP Module | 5-11 |
| 5-6 | Removing the Left Side Cover | 5-13 |
| 5-7 | Removing the 48 Vdc Power Supply | 5-15 |
| 5-8 | DEC Power Bus and Console Cable Connectors | 5-17 |
| 5-9 | Removing the Front Panel | 5-18 |
| 5-10 | Removing the Control Panel | 5-19 |
| 5-11 | Removing the Blower Assembly | 5-21 |
| 5-12 | Removing the AC Input Box | 5-23 |
| 5-13 | Removing the Front Bezel from the XMI Chassis | 5-25 |
| 5-14 | Extending the XMI Chassis | 5-27 |
| 5-15 | Removing the Top Cover | 5-28 |
| 5-16 | Removing the Bottom Cover | 5-30 |
| 5-17 | Removing the Control Panel Bezel | 5-32 |
| 5-18 | Removing the Control Panel Module | 5-34 |
| 5-19 | Battery and XTC Connections | 5-36 |
| 5-20 | AC Front End Tray | 5-37 |
| 5-21 | Power Supply Top Connectors | 5-39 |
| 5-22 | Power Supply Top Interconnect Diagram | 5-40 |
| 5-23 | Removing the AC Front End Trays | 5-41 |
| 5-24 | +5 Vdc Regulator Trays | 5-43 |
| 5-25 | Removing a Power Supply Tray | 5-46 |
| 5-26 | Sequencer and Auxiliary DC Voltage Regulator Tray | 5-48 |
| 5-27 | 3.3 Vdc/-5.2 Vdc Regulator Tray | 5-50 |
| 5-28 | Removing the Fan Assembly | 5-53 |
| 5-29 | Airflow Sensors on Rear of Card Cage | 5-55 |
| 5-30 | Removing the AC Input Assembly | 5-58 |
| A-1 | Top Front View of Card Cage Slot Designations | A-3 |
| A-2 | Bottom View of Card Cage Slot Designations | A-5 |
| A-3 | 2T-CIXCD-RA Option Kit Contents | A-6 |

| | | |
|-----|--|-----|
| A-4 | Installing the 2T-CIXCD-RA Connectors and Jumper | A-9 |
|-----|--|-----|

Tables

| | | |
|------|---|------|
| 1-1 | Card Cage Modules | 1-4 |
| 1-2 | LSB Control Panel Push-button Switches | 1-6 |
| 1-3 | LSB Control Panel Status LED Indicators | 1-6 |
| 1-4 | XMI Options and Cabinet Kits | 1-9 |
| 1-5 | Control Panel Keyswitches | 1-11 |
| 1-6 | Restart Switch | 1-12 |
| 1-7 | XMI Control Panel Status LED Indicators | 1-12 |
| 1-8 | XMI Power Supply Tray Assemblies | 1-14 |
| 1-9 | LSB Chassis Specifications | 1-17 |
| 1-10 | XMI Chassis Specifications | 1-18 |
| 4-1 | LSB Chassis Troubleshooting | 4-2 |
| 4-2 | XMI Chassis Troubleshooting | 4-3 |
| B-1 | LSB Chassis Field Replaceable Units | B-1 |
| B-2 | XMI Chassis Field Replaceable Units | B-2 |

Preface

The *Rackmount DEC 7000 AXP and VAX 7000 Systems Installation / Owner's Guide* provides information to properly trained Digital service personnel and customer maintenance personnel on the installation of the rackmount DEC 7000 AXP and VAX 7000 systems, and information on the operation and maintenance of the equipment.

Organization

The *Rackmount DEC 7000 AXP and VAX 7000 Systems Installation / Owner's Guide* is organized in the following manner:

- **Chapter 1, Introduction** – Provides an overview of the rackmount DEC 7000 AXP and VAX 7000 systems, and describes the major chassis, control panels, and power supply trays that make up this system. Specifications for the LSB (BA700-AA) chassis and the XMI (BA601-AC) chassis are also included.
- **Chapter 2, Installation** – Discusses site preparation, environmental and electrical requirements, checking the shipment, installing the LSB and XMI chassis, and cabling the two chassis that make up the system.
- **Chapter 3, Operation** – Describes how to turn on and turn off the equipment.
- **Chapter 4, Troubleshooting** – Describes the performance of various steps in basic troubleshooting and routine maintenance procedures.
- **Chapter 5, Removal and Replacement** – Describes the removal and replacement procedures for the field replaceable units (FRUs) that are unique to the rackmount DEC 7000 AXP and VAX 7000 systems.
- **Appendix A, Field Replaceable Units** – Lists all FRUs and their part numbers for the LSB and XMI chassis.

- **Appendix B, Option Installation** – Contains installation instructions for the options that are available for the rackmount DEC 7000 AXP and VAX 7000 systems.

Conventions

The following conventions are used in this document:

- NOTE** A note calls the reader's attention to any item of information that may be of special importance.
- CAUTION** A caution contains information essential to avoid damage to the equipment.
- WARNING** A warning contains information essential to the safety of personnel.

The following symbols appear on the chassis. Please review their definitions below:



This Dangerous Voltage warning symbol indicates risk of electric shock and indicates hazards from dangerous voltage.



This Attention symbol is used to alert the reader about specific safety conditions, and to instruct the reader to read separate instructional material.

Related Documentation

For more information on the rackmount DEC 7000 AXP and VAX 7000 systems, refer to the following documentation:

| | |
|--|-------------|
| <i>DEC 7000 AXP System / VAX 7000 Installation Guide</i> | EK-700EB-IN |
| <i>DEC 7000 AXP System / VAX 7000 Site Preparation Guide</i> | EK-7000B-SP |
| <i>DEC 7000 AXP System / VAX 7000 Operations Manual</i> | EK-7000B-OP |
| <i>DEC 7000 AXP System / VAX 7000 Basic Troubleshooting</i> | EK-7000B-TS |
| <i>DEC 7000 AXP System / VAX 7000 Platform Service Manual</i> | EK-7000A-SV |
| <i>DEC 7000 AXP System / VAX 7000 System Service Manual</i> | EK-7002B-SV |
| <i>DEC 7000 AXP System Pocket Service Guide</i> | EK-7700A-PG |
| <i>VAX 7000 Pocket Service Guide</i> | EK-7000A-PG |
| <i>DEC 7000 AXP System Advanced Troubleshooting</i> | EK-7701A-TS |
| <i>VAX 7000 Advanced Troubleshooting</i> | EK-7001A-TS |
| <i>DEC 7000 AXP System / VAX 7000 Console Reference Manual</i> | EK-70C0B-TM |
| <i>KA7AA CPU Technical Manual</i> | EK-KA7AA-TM |
| <i>KN7AA CPU Technical Manual</i> | EK-KN7AA-TM |
| <i>MS7AA Memory Technical Manual</i> | EK-MS7AA-TM |
| <i>I/O System Technical Manual</i> | EK-70I0A-TM |
| <i>Platform Technical Manual</i> | EK-7000A-TM |

1

Introduction

1.1 General

The rackmount DEC 7000 AXP and VAX 7000 systems (see Figure 1–1) consist of two or more interlocked rackmountable chassis that attach to the rails within a 36-inch deep RETMA cabinet. The laser system bus (LSB) chassis (BA700-AA) contains the CPU and memory boards, along with an I/O port controller (IOP) that multiplexes to support up to four XMI I/O chassis. The LSB chassis includes a 48 Vdc power supply and a blower assembly to move the cooling air. In addition, the chassis has its own circuit breaker and power cord that requires a single-phase, 200-240 Vac (nominal), 50-60 Hz power source. The LSB chassis has a power status indicator as part of the operator control panel.

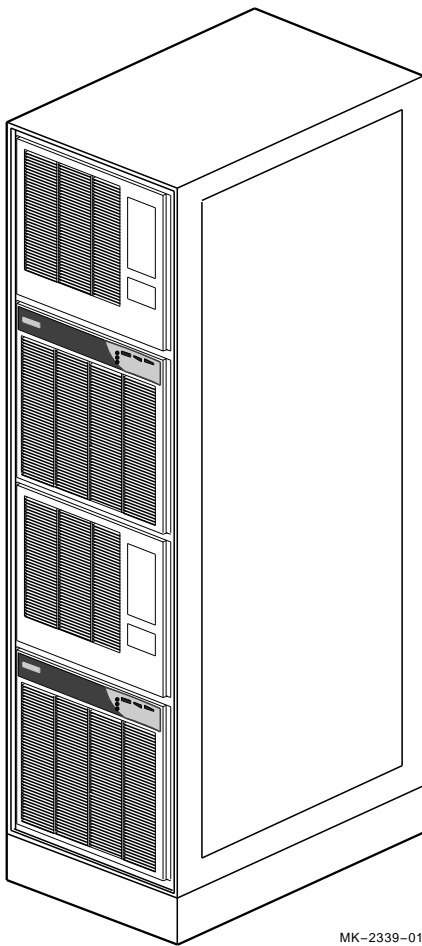
The extended memory interface (XMI) chassis (BA601-AC) mounts above the LSB chassis in the cabinet and can accept up to 12 XMI technology I/O modules. Other rackmountable I/O chassis for modules using different I/O bus types may be added to this product family in the future. The XMI chassis also accommodates up to five quad and three dual I/O panels. The XMI chassis includes six power supply modules and fans for moving the cooling air. The XMI chassis has its own circuit breaker and power cord that requires a single-phase, 200-240 Vac (nominal), 50-60 Hz power source. The XMI chassis also has a power status indicator as part of the control panel.

In an H9702 cabinet, a power controller is mounted behind each LSB chassis to allow the connection of both chassis to an external source of 200-240 Vac (nominal), and also to sequence the power application and removal to this system.

The LSB and XMI chassis are interconnected with a flat ribbon cable between the I/O port controller (IOP) in the LSB chassis and the XMI backplane in the XMI chassis.

Introduction

Figure 1-1 Two DEC 7000 AXP and VAX 7000 Systems in an H9702 Cabinet



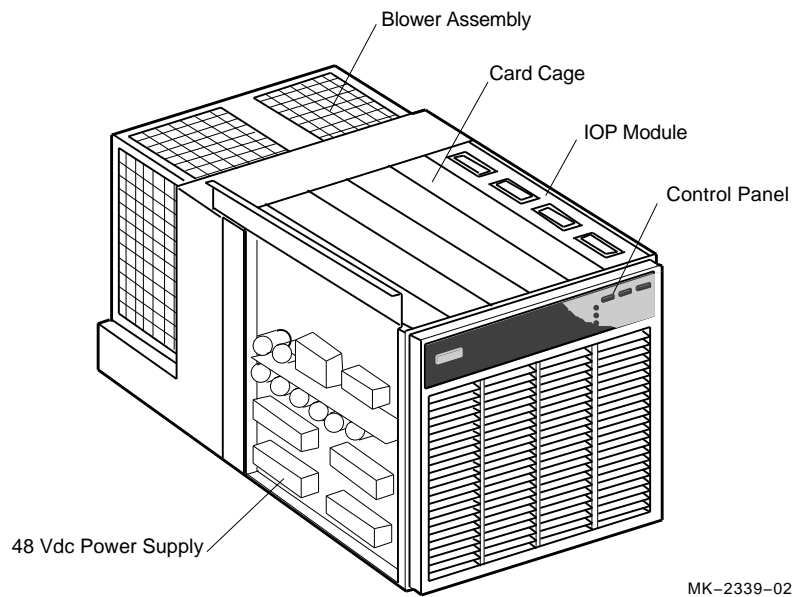
MK-2339-01

1.2 Laser System Bus (BA700-AA) Chassis

The LSB (BA700-AA) chassis, shown in Figure 1-2, contains a card cage, a 48 Vdc power supply, a control panel, and a blower assembly.

The following sections describe the basic components of the LSB chassis.

Figure 1-2 LSB (BA700-AA) Chassis with Covers Removed



MK-2339-02

Introduction

1.2.1 LSB Chassis Card Cage

The LSB chassis card cage contains five slots. One slot is reserved for the I/O port controller (IOP) module and the other four slots are available for either CPU or memory modules. The system must have at least an IOP module, one CPU module, and one memory module in order to function.

Rackmount DEC 7000 AXP and VAX 7000 systems can range from a single CPU with three memory modules to three CPUs with a single memory module.

Table 1–1 contains a list of the different types of modules that can be installed in the rackmount DEC 7000 AXP and VAX 7000 systems, and a description of each.

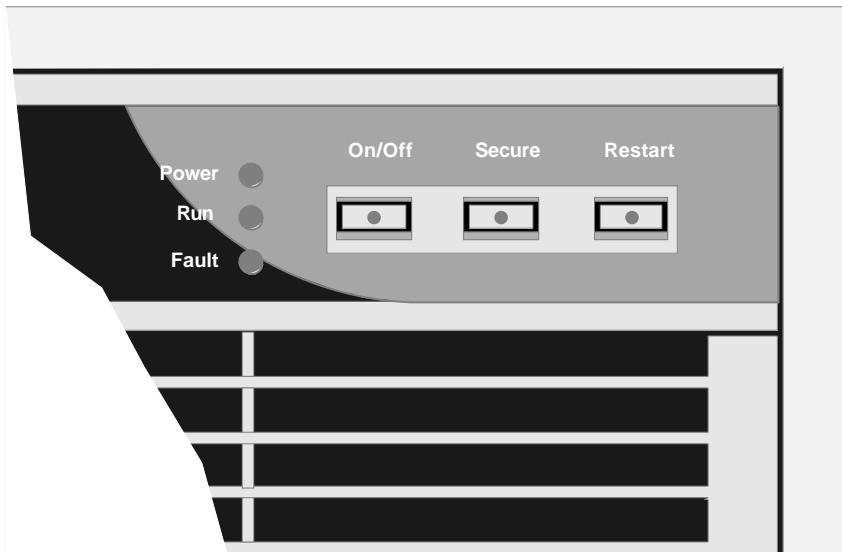
Table 1–1 Card Cage Modules

| Option No. | Part No. | Description |
|-------------------|-----------------|----------------------------|
| IOP | E2044-AA | I/O port controller module |
| KN7AA | E2040-AA | DEC 7000 AXP CPU module |
| KA7AA | E2045-AA | VAX 7000 CPU module |
| MS7AA-AA | E2043-AA | 64-MB memory module |
| MS7AA-BA | E2043-BA | 128-MB memory module |
| MS7AA-CA | E2043-CA | 256-MB memory module |
| MS7AA-DA | E2046-AA | 512-MB memory module |

1.2.2 LSB Chassis Control Panel

The rackmount DEC 7000 AXP and VAX 7000 systems have a control panel located on the front of the LSB chassis (see Figure 1-3). The LSB chassis control panel consists of three push-button switches with integral LED indicators and three separate LED indicators.

Figure 1-3 LSB Chassis Control Panel



MK-2339-03

Introduction

Table 1–2 lists the three push-button switches and describes their functions.

Table 1–2 LSB Control Panel Push-button Switches

| Switch | Position | LED Status /Color | Description |
|----------------------------|----------|-------------------|---|
| On/Off | Out | Off | The 48 Vdc power supply is turned off. |
| | In | On (Green) | The 48 Vdc power supply is turned on and 48 Vdc is present. |
| Secure | Out | Off | Indicates to the console firmware that certain privileged console commands are allowed. |
| | In | On (Green) | Indicates to the console firmware that certain privileged console commands are not allowed. |
| Restart (Momentary switch) | Out | Off | The system restart signal is not being asserted. |
| | In | On (Red) | The system restart signal is being asserted. |

The LSB control panel also includes three status LED indicators. Table 1–3 lists these LEDs and describes their functions.

Table 1–3 LSB Control Panel Status LED Indicators

| LED Name/Color | Function |
|----------------|--|
| Power (Green) | Lit when the 48 Vdc power supply is on and the output is within specifications. If not lit after the On/Off switch is depressed, the power supply has detected an overvoltage or overcurrent condition. |
| Run (Green) | Lit when console mode is terminated and system program execution begins. Not lit during power sequencing and when in console mode. |
| Fault (Amber) | Blinks at a slow 2-second rate during the power-up sequence and at a fast .5-second rate during the power-down sequence. After the power-up sequence, it stays lit until all LSB and I/O modules have passed self-test, and then goes out. Being lit during normal operation indicates a blower failure, an LSB or I/O module not passing self-test, or a power supply fault. |

Introduction

1.2.3 LSB Chassis Power Supply

A 48 Vdc power supply is located on the left side of the LSB chassis. This power supply provides 48 Vdc to the control panel, the LSB backplane, and the chassis blower.

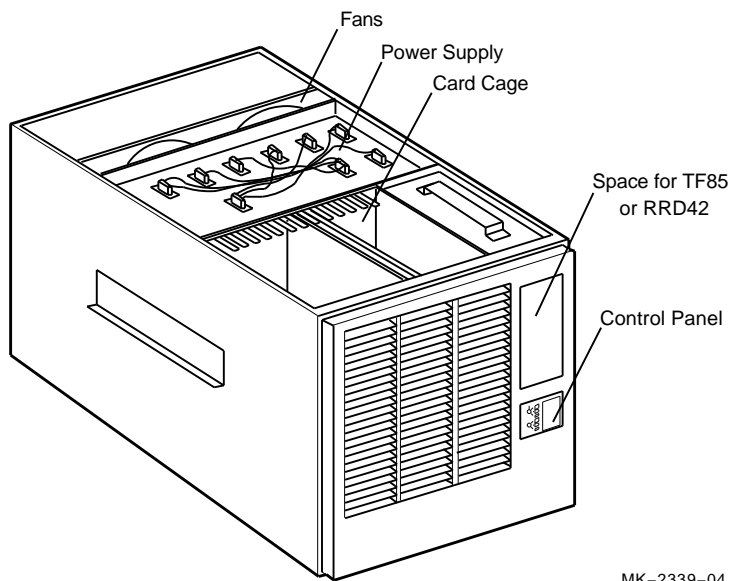
Introduction

1.3 Extended Memory Interface (BA601-AC) Chassis

The XMI (BA601-AC) chassis, shown in Figure 1-4, includes a control panel, a single 14-slot card cage, a power supply consisting of 6 tray assemblies, 2 fans, and an I/O bulkhead. The front panel of the XMI chassis also contains an area for installing either an RRD42 CD-ROM reader (DEC 7000 AXP only) or a TF85 tape drive (VAX 7000 only). The rear of the chassis contains an interface area for connecting external cables.

The following sections describe the basic components of the XMI chassis.

Figure 1-4 XMI (BA601-AC) Chassis with Top Cover Removed



1.3.1 XMI Chassis Card Cage

The XMI chassis incorporates a 14-slot card cage that houses the two LSB I/O interface cards and up to 12 I/O modules. The XMI device adapter boards are housed in this card cage. Other modules are available for installation in the XMI bus, such as: disk controllers, network interfaces, and bus adapters. Table 1–4 lists the options and cabinet kits that are available for installation in the XMI chassis.

Table 1–4 XMI Options and Cabinet Kits

| Interface | Option | BA601 Cabinet Kit | I/O Panel |
|-----------|-----------------------|--------------------|-----------|
| Ethernet | DEMNA-M | CK-DEMNA-RA | 1 Dual |
| FDDI | 2T-DEMFA-RA | Included in option | 1 Quad |
| DSA | KDM70-AA | CK-KDM60-RA | 2 Quad |
| DSSI | KFMSA-BA ¹ | CK-KFMSA-RB | 1 Quad |
| SCSI | KZMSA-AB ² | CK-KZMSA-RB | 1 Dual |
| CI | 2T-CIXCD-RA | Included in option | 1 Quad |

¹For the VAX 7000 only.

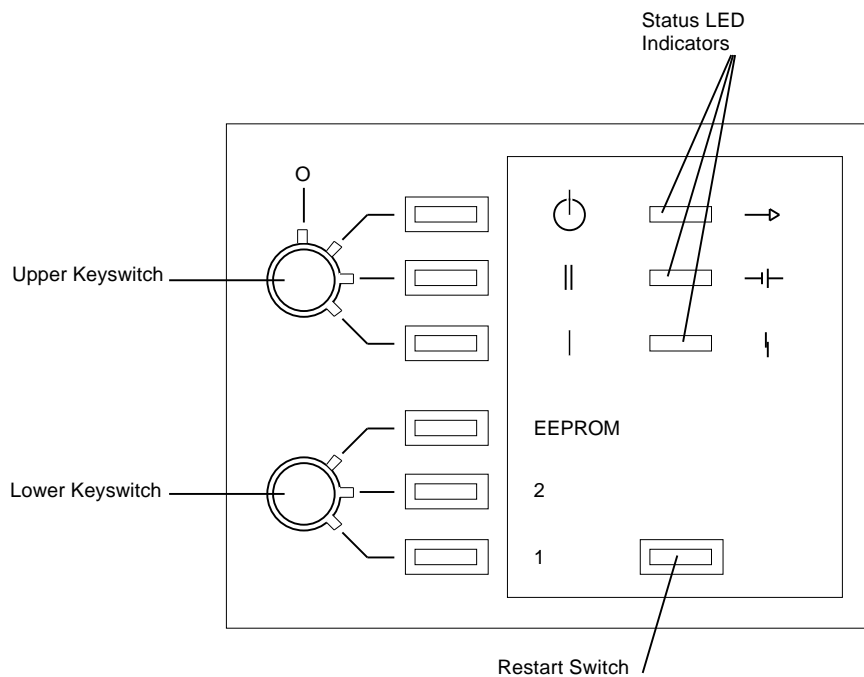
²For the DEC 7000 AXP only.

Introduction

1.3.2 XMI Chassis Control Panel

The rackmount DEC 7000 AXP and VAX 7000 systems have a secondary control panel located on the front of the XMI chassis (see Figure 1-5). The control panel incorporates three switches and nine LEDs.


Figure 1-5 XMI Chassis Control Panel



MK-2339-05

The XMI chassis control panel incorporates two rotary switches (an upper keyswitch and a lower keyswitch) and a push-button restart switch. Table 1-5 lists the upper and lower keyswitches and describes their functions. Table 1-6 describes the functions of the restart switch.

Table 1–5 Control Panel Keyswitches

| Symbol | Position | Light/ Color | Effect |
|---|---------------------|-----------------|---|
| Upper Keyswitch | | | |
| O | (Off) | No Light | Power to system bus is removed, but ac power and 12 Vdc power is still on. |
|  | Standby | Red | Not used. |
| | Enable | Yellow | Not used. |
| I | Secure ¹ | Green | Indicates that power is applied to the entire system. Used for normal operation. Disables restart switch. |
| Lower Keyswitch | | | |
| EEPROM | Update | Red | Not used. |
| 2 | Halt | Yellow | Not used. |
| 1 | Auto Start | Green | Not used. |

¹Normal position

Introduction

Table 1–6 Restart Switch

| Upper Keyswitch | Lower Keyswitch | Restart Switch Function |
|--------------------|-----------------|--|
| Enable | Update or Halt | Runs self-test, then halts. |
| Enable | Auto Start | Runs self-test, then reboots the operating system. |
| Standby or "O" OFF | Any position | Does not function. |

The XMI control panel also includes three status LED indicators. Table 1–7 lists these LEDs and describes their functions.

Table 1–7 XMI Control Panel Status LED Indicators

| Symbol | Name | State/Color | Indication |
|--------|---------|-------------|--|
| → | Run | On (Green) | System is executing operating system instructions on at least one processor. |
| | | Off | System is either in console mode or is turned off. |
| ⎓ | Battery | NA (Green) | (This function is not implemented on the rackmount DEC 7000 AXP and VAX 7000 systems.) |
| | Fault | On (Red) | Self-test is in progress. If light does not go off, system has a hardware fault. |
| | | Off | Self-test has completed successfully, or the system is turned off. |

1.3.3 XMI Chassis Power Supply

The XMI power supply consists of six separate tray assemblies. The system includes two ac-to-dc front end modules and four dc-to-dc regulator trays. The dc-to-dc regulator trays include a 5 Vdc regulator master, a 5 Vdc regulator booster, a sequencer and auxiliary dc voltage regulator, and a 3.3 Vdc/-5.2 Vdc regulator. Each of these trays contain field replaceable units (FRUs) that are described in Chapter 5.

Table 1-8 lists the six power supply tray assemblies along with the description and location of each. Figure 1-6 shows the location of these six power supply assemblies.

Introduction

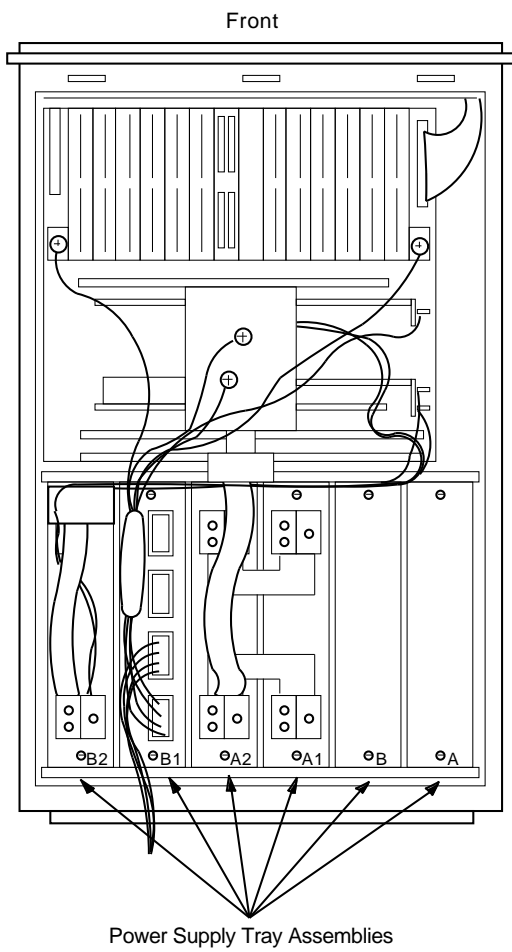
Table 1–8 XMI Power Supply Tray Assemblies

| Tray Assembly | Description | Location¹ |
|--|---|-----------------------------|
| ac-to-dc converters (2) | Provides 300 Vdc to feed into regulators | A + B |
| 5 Vdc regulator | +5 Vdc master supply | A1 |
| 5 Vdc regulator | +5 Vdc booster supply | A2 |
| Sequencer and auxiliary dc voltage regulator | Consists of: <ul style="list-style-type: none">• Power sequencing logic• +12 Vdc supply• -12 Vdc supply• +24 Vdc supply (fans)• -2 Vdc supply | B1 |
| 3.3 Vdc/-5.2 Vdc regulator | Consists of: <ul style="list-style-type: none">• +3.3 Vdc supply (not used for the rackmount DEC 7000 AXP and VAX 7000 systems)• -5.2 Vdc supply | B2 |

¹See Figure 1–6

Introduction

Figure 1-6 Power Supply Tray Assemblies (XMI Chassis Bottom View)



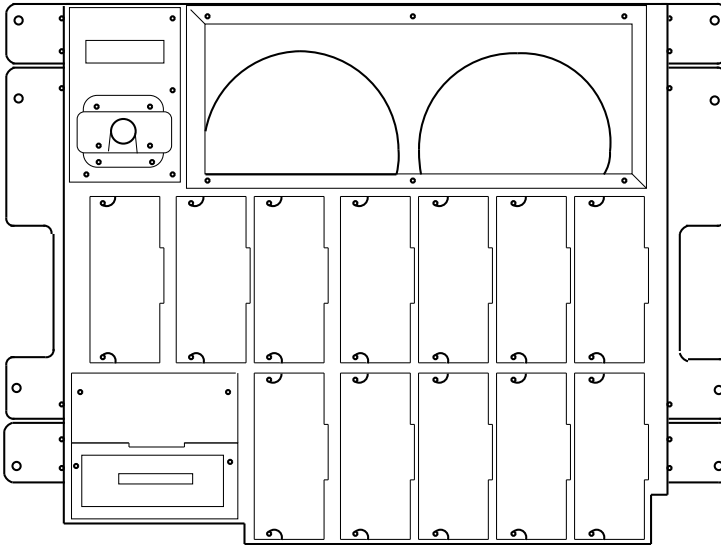
MK-2339-06

Introduction

1.3.4 XMI Chassis I/O Bulkhead

The XMI chassis has an I/O bulkhead (see Figure 1-7) located at the rear of the chassis. The I/O bulkhead is used for installing the I/O panels associated with the different I/O option cards that can be installed in the XMI card cage. The I/O bulkhead can accommodate five quad and three dual I/O panels. This allows the rackmount DEC 7000 AXP and VAX 7000 systems to be connected to external devices.

Figure 1-7 I/O Bulkhead



MK-2339-07

1.4 Specifications

The following sections contain the physical, electrical, and environmental specifications for the LSB (BA700-AA) chassis and the XMI (BA601-AC) chassis.

1.4.1 LSB Chassis Specifications

Table 1–9 lists the LSB chassis specifications.

Table 1–9 LSB Chassis Specifications

| Physical Characteristics | | |
|-----------------------------------|---|------------------------|
| Enclosure | Bezel height | 48.9 cm (19.25 in.) |
| | Total height including left-side hanger | 53.34 cm (21 in.) |
| | Width | 48.26 cm (19 in.) |
| | Depth | 78.74 cm (31 in.) |
| | Weight | 45 kg (100 lb) maximum |
| Electrical Requirements | | |
| AC Input Voltage | 200-240 Vrms nominal single phase | |
| AC Input Current | 10 Arms | |
| Line Frequency | 50 Hz or 60 Hz nominal | |
| Mating Receptacle | NEMA 6-15R | |
| Environmental Requirements | | |
| Operating Temperature | 15°C to 28°C (59°F to 82°F) | |
| Relative Humidity | 20% to 80% noncondensing | |
| Storage Temperature | -40°C to 66°C (-40°F to 151°F) | |
| Relative Humidity | 10% to 95% noncondensing | |

Introduction

1.4.2 XMI Chassis Specifications

Table 1–10 lists the XMI chassis specifications.

Table 1–10 XMI Chassis Specifications

| Physical Characteristics | | |
|-----------------------------------|--------------------------------------|------------------------|
| Enclosure | Height | 40.0 cm (15.75 in.) |
| | Width | 48.26 cm (19 in.) |
| | Depth | 91.44 cm (36 in.) |
| | Weight | 55 kg (121 lb) maximum |
| Electrical Requirements | | |
| AC Input Voltage | 200-240 Vrms nominal single phase | |
| AC Input Current | 6 Arms | |
| Line Frequency | 50 Hz or 60 Hz nominal | |
| Mating Receptacle | NEMA L6-15R | |
| Environmental Requirements | | |
| Operating Temperature | 15°C to 28°C (59°F to 82°F) | |
| Relative Humidity | 20% to 80% noncondensing | |
| Storage Temperature | -40°C to 66°C (-40°F to 151°F) | |
| Relative Humidity | 10% to 95% noncondensing | |

2

Installation

2.1 Introduction

This chapter discusses the installation of the rackmount DEC 7000 AXP and VAX 7000 systems. Topics covered in this chapter include:

- Site preparation
- Checking the shipment
- Installing the LSB (BA700-AA) chassis
- Installing the XMI (BA601-AC) chassis
- Cabling
- Connecting the power cords

Installation

2.2 Site Preparation

The following sections describe the environmental and electrical requirements for the rackmount DEC 7000 AXP and VAX 7000 systems.

2.2.1 Environmental Requirements

The following list contains the environmental requirements for the rackmount DEC 7000 AXP and VAX 7000 systems:

- Keep the environment between 15°C and 28°C (59°F and 82°F).
- Keep the environment between 20% and 80% relative humidity (noncondensing).
- Keep the air around the equipment well circulated to prevent heat from building up and to provide an exhaust space at the rear of the cabinet.
- Keep the equipment away from heaters, photocopiers, and direct sunlight.
- Provide 1.5 m (4.9 ft) front and rear clearance for service access.
- Decrease static electricity buildup by locating the equipment away from busy areas such as office corridors, and keep the environment at the recommended humidity levels. Static electricity can cause the equipment to fail, data to be lost, and other problems to occur.
- Keep the area where the equipment is located clean. Do not place food or liquids on or near the equipment.
- Keep the area where the equipment is located free from dust (dust particles can interfere with chassis cooling and can damage the hardware).

2.2.2 Electrical Requirements

A dedicated 30-ampere (200-240 Vac nominal) 3-wire branch circuit for a power controller is required for each LSB and XMI chassis pair. The circuit must meet national and local standards, provide a good system ground, be stable, and be free from electrical noise. If power disturbances cannot be prevented, add power-conditioning equipment. Consult with Multivendor Customer Service personnel about the electrical requirements for the rackmount DEC 7000 AXP and VAX 7000 systems.

The ac power source should allow for system expansion. Do not connect other equipment (such as air conditioners or office copiers) to the circuit dedicated to the rackmount DEC 7000 AXP and VAX 7000 systems.

2.3 Checking the Shipment

The rackmount DEC 7000 AXP and VAX 7000 system hardware shipment consists of two cartons when not factory installed in a cabinet. One carton contains the LSB (BA700-AA) chassis and the other carton contains the XMI (BA601-AC) chassis.

Check the shipment to verify that all items shown in Figure 2–1, and listed on the packing slip, have been received. Optional items are not shown.

WARNING

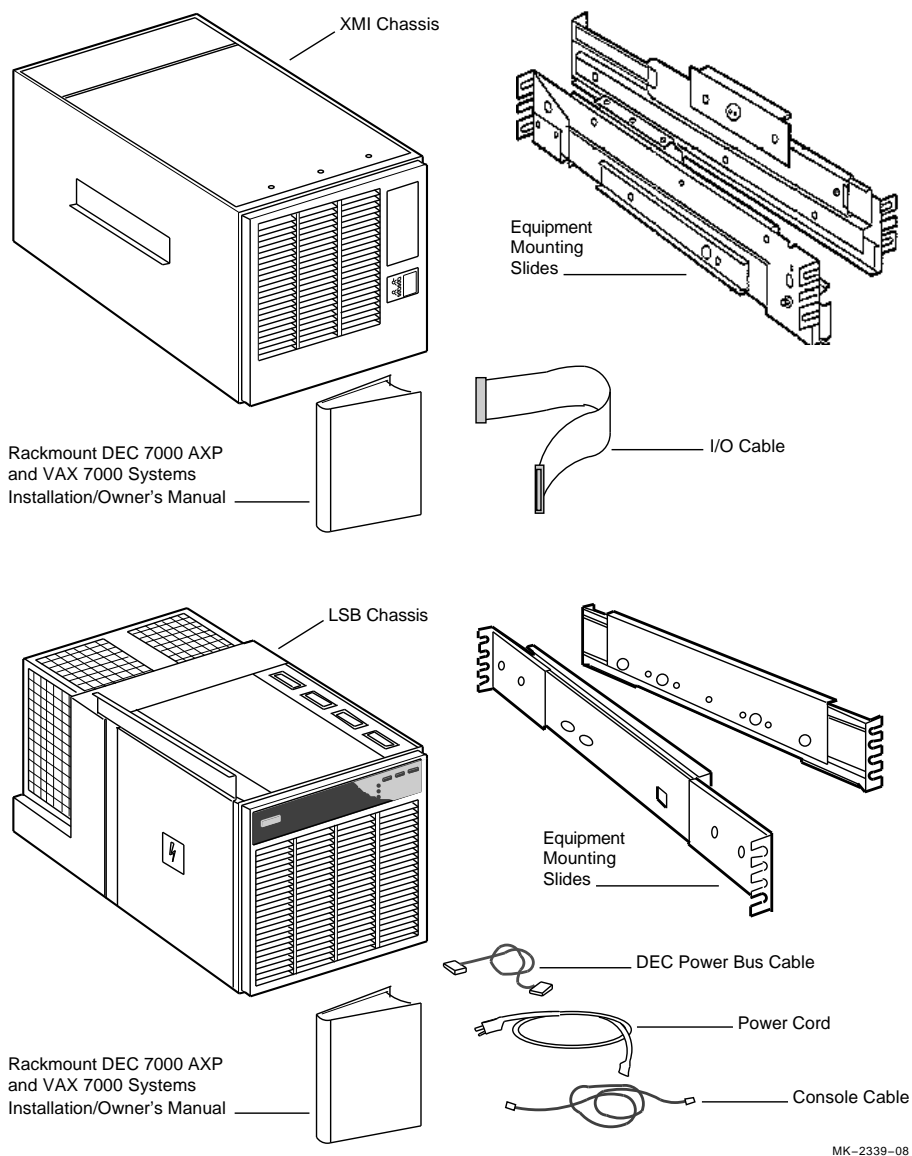
The LSB chassis weighs approximately 45 kg (100 lb) and the XMI chassis weighs approximately 55 kg (121 lb). Use sufficient personnel, or proper lifting equipment, when lifting or moving these chassis.

If the equipment is damaged or if any items are missing, notify the delivery agent and contact the Digital sales representative.

Save all shipping cartons in case the equipment needs to be moved to a new location, or needs to be returned for repair.

Installation

Figure 2-1 Contents of Shipping Cartons



MK-2339-08

2.4 Installing the LSB Chassis

The following sections discuss the installation of the LSB (BA700-AA) chassis in a standard RETMA 48.26 cm (19 in.) wide equipment cabinet such as Digital's H9702 cabinet. The LSB chassis is installed in the *bottom* space of the equipment cabinet. The LSB chassis and the XMI chassis together occupy 88.9 vertical centimeters (35 vertical inches) of space in the equipment cabinet. Open the rear door of the cabinet before installing the chassis.

WARNING

Before attempting to install the equipment into a cabinet or rack, ensure that the cabinet is stable and that all provided stabilizing features have been activated. The stabilizing features for the rack or cabinet are configuration dependent.

The following tools are required for installing the LSB and XMI chassis:

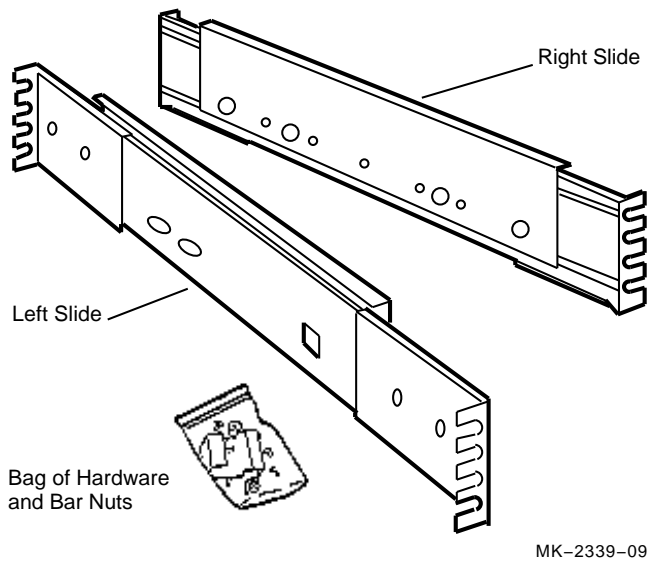
- Medium Phillips screwdriver
- Small Phillips screwdriver
- Small flat-blade screwdriver
- Adjustable wrench

Installation

2.4.1 Installing the LSB Chassis Slides

Each chassis is shipped with a pair of RETMA chassis slides (see Figure 2-1 and Figure 2-2). There is a right and left slide.

Figure 2-2 LSB Chassis Equipment Mounting Slides



Installation

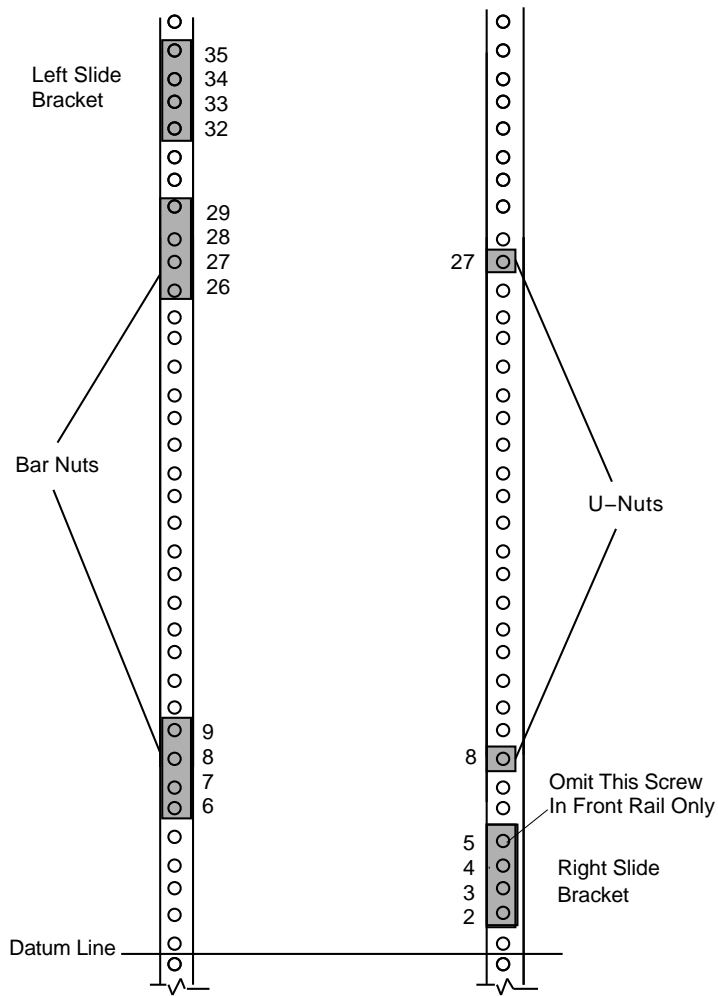
To install the slides, perform the steps in the following procedure:

1. Check each slide for any damage and for smooth operation.
2. Loosen the two screws that secure the rear slide bracket to the slide so that it can be adjusted to fit between the front and central rails.
3. Identify the LSB chassis location in the rack and establish a datum line. The datum line serves as a reference to identify the mounting hole positions for the slide brackets and U-nuts. To establish a datum line:
 - a. Determine the area of the rack where the LSB chassis will be installed. The LSB chassis is normally installed in the bottom space of an equipment cabinet and requires 48.9 cm (19.25 in.) of height, or 33 contiguous holes (35 holes on the left rail with overlap into the XMI space).
 - b. Refer to Figure 2–3 and establish a datum line at the base of the area between two holes with 1.3 cm (.5 in.) spacing. The first hole above the datum line is identified as hole 1. This establishes the location of the bottom edge of the LSB chassis.
4. Install the slides between the front and central vertical mounting rails from the front of the cabinet as follows:
 - a. Determine the proper mounting holes for the slide brackets using the four-hole pattern in the bar nut. This pattern repeats every 4.45 cm (1.75 in.) along the rails. The proper four-hole pattern for the right slide on the front and central rails is the 2nd, 3rd, 4th, and 5th holes up from the datum line (see Figure 2–3).

The proper four-hole pattern for the left slide on the front and central rails is the 32nd, 33rd, 34th, and 35th holes up from the datum line (see Figure 2–3).
 - b. Position a bar nut for each slide bracket in the correct position on the inside of the front and central RETMA rails and start the two middle screws (the 3rd and 4th holes up from the datum line for the right slide and the 33rd and 34th holes up from the datum line for the left slide), then slide the front and back slide support bracket on the inside of the rails between the bar nut and the rail (see Figure 2–4).

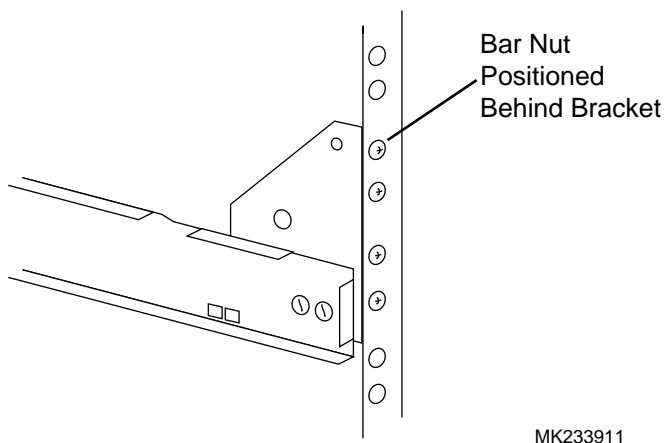
Installation

Figure 2-3 LSB Chassis Slide Mounting Pattern



Installation

Figure 2-4 Installing the Equipment Mounting Slides (Rear View of Left Slide with Slide Extended)



- c. Install the other two screws in the top and bottom holes of each slide support bracket at each end of the slide.

NOTE

Do not install a screw in the top hole (hole 5) of the right front slide support bracket. This hole must be left open to allow room for the clip that secures the front bezel to the chassis.

- d. Tighten all eight screws (seven on the right slide) to secure each slide.

NOTE

Pull the slide upward when securing it to the rails. Also, ensure that the slide is level.

5. Tighten the two screws that secure the rear slide bracket to the slide.
6. Install two U-nuts on the right front rail over the 8th and 27th holes up from the datum line by sliding them over the edge of the rail and aligning them with the holes (see Figure 2-3). These are used for securing the LSB chassis, in the closed position, to the rail.

Installation

7. Install a bar nut on the left front rail behind the 26th, 27th, 28th, and 29th holes up from the datum line by aligning them with the holes and installing screws in the 26th and 28th holes up from the datum line (see Figure 2-3). These are used for securing the LSB chassis, in the closed position, to the rail.
8. Install a bar nut on the left front rail behind the 6th, 7th, 8th, and 9th holes up from the datum line by aligning them with the holes and installing screws in the 6th and 9th holes up from the datum line (see Figure 2-3). These are used for securing the LSB chassis, in the closed position, to the rail.

2.4.2 Installing the LSB Chassis on the Slides

To install the LSB (BA700-AA) chassis on the slides, perform the steps in the following procedure:

1. Extend the stabilizing legs at the front of the cabinet (if stabilizing legs are provided).

WARNING

Before attempting to install the equipment into a cabinet or rack, ensure that the cabinet is stable and that all provided stabilizing features have been activated. The stabilizing features for the rack or cabinet are configuration dependent.

2. Extend both of the equipment slides from the cabinet. The slide locking levers lock automatically when the slides are fully extended.

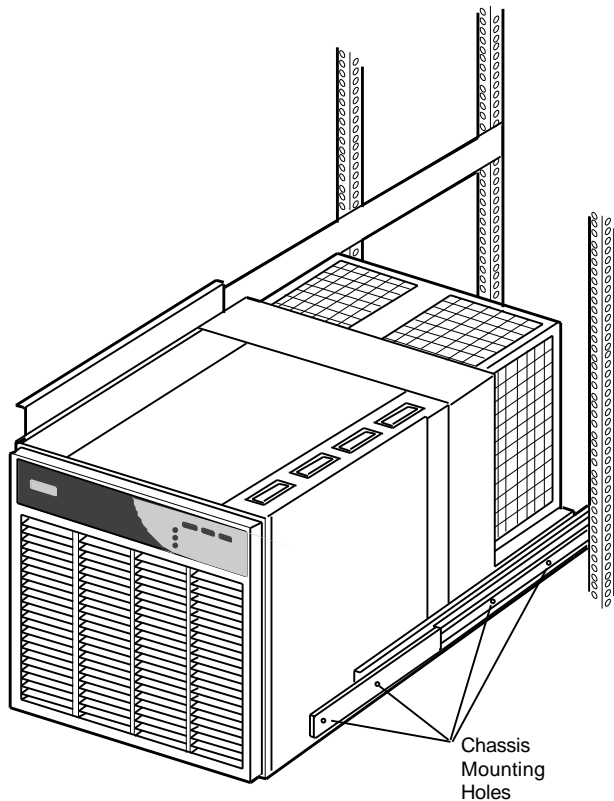
WARNING

The LSB (BA700-AA) chassis weighs approximately 45 kg (100 lb). Use sufficient personnel, or proper lifting equipment, when lifting or moving this chassis.

3. Remove the front bezel from the LSB chassis by grasping both sides of the bezel and pulling straight out.
4. Lift the LSB chassis until the chassis mounting plates are just above the slides, and then move the chassis back and onto the equipment slides.
5. Carefully position the chassis until the four mounting holes in the side of the chassis line up with the four mounting holes in the side of the slide (see Figure 2-5).
6. Secure the LSB chassis to the slides by installing four screws for each slide, supplied with the hardware kit, through the slides and into the chassis mounting holes (see Figure 2-5).

Installation

Figure 2-5 Installing the LSB Chassis on the Slides



MK-2339-12

7. Release the slide locking levers on both slides and carefully slide the LSB chassis into the cabinet. Ensure that the chassis is level, can clear all other equipment in the cabinet, and that the slides operate smoothly.
8. Secure the chassis to the equipment rails by tightening the four screws into the bar nuts and U-nuts that were placed on the front RETMA rails during installation of the slides.
9. Replace the front bezel on the LSB chassis by grasping both sides of the bezel and pushing it onto the front of the chassis.

2.5 Installing the XMI Chassis

The following sections discuss the installation of the XMI (BA601-AC) chassis in a standard RETMA 48.26 cm (19 in.) wide equipment cabinet such as Digital's H9702 cabinet. The first XMI chassis is installed in the space *above* the LSB chassis. Any other XMI chassis that are to be installed should be installed in the space *above* the previously installed XMI chassis. Open the rear door of the cabinet before installing the chassis.

WARNING

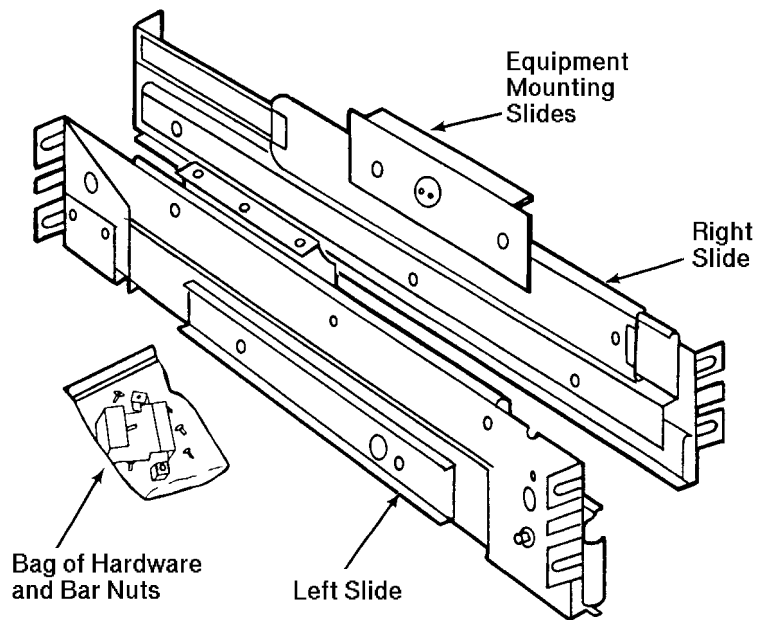
Before attempting to install the equipment into a cabinet or rack, ensure that the cabinet is stable and that all provided stabilizing features have been activated. The stabilizing features for the rack or cabinet are configuration dependent.

Installation

2.5.1 Installing the XMI Chassis Slides

Each chassis is shipped with a pair of RETMA chassis slides (see Figure 2-1 and Figure 2-6). There is a right and left slide.

Figure 2-6 XMI Chassis Equipment Mounting Slides



MK-2339-13

Installation

To install the slides, perform the steps in the following procedure:

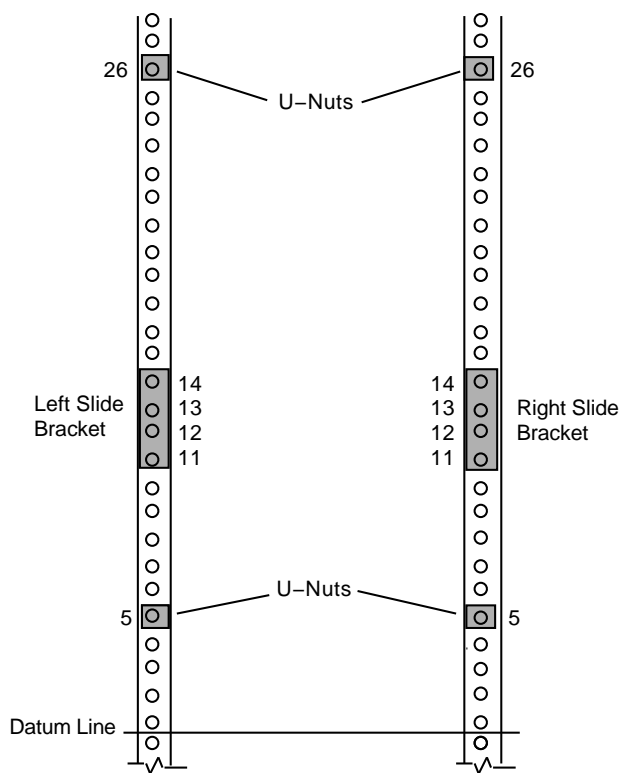
1. Check each slide for any damage and for smooth operation.
2. Loosen the two screws that secure the rear slide bracket to the slide so that it can be adjusted to fit between the front and central rails.
3. Identify the XMI chassis location in the rack and establish a datum line. The datum line serves as a reference to identify the mounting hole positions for the slide brackets and U-nuts. To establish a datum line:
 - a. Determine the area of the rack where the XMI chassis will be installed. The first XMI chassis is installed in the space of an equipment cabinet located just above the LSB chassis and requires 40 cm (15.75 in.) of height, or 27 contiguous holes. Any additional XMI chassis that are to be added are installed in the space above a previously installed XMI chassis.
 - b. Refer to Figure 2–7 and establish a datum line at the base of the area between two holes with 1.3 cm (.5 in.) spacing. The first hole above the datum line is identified as hole 1. This establishes the location of the bottom edge of the XMI chassis.
4. Install the slides between the front and central vertical mounting rails from the front of the cabinet as follows:
 - a. Determine the proper mounting holes for the slide brackets using the four-hole pattern in the bar nut. This pattern repeats every 4.45 cm (1.75 in.) along the rails. The proper four-hole pattern for the slide on the front and central rails is the 11th, 12th, 13th, and 14th holes up from the datum line (see Figure 2–7).
 - b. Position each bar nut in the correct position on the inside of the front and central RETMA rails and start the two middle screws (the 12th and 13th holes up from the datum line), then slide the front and back slide support bracket between the rail and the screw heads (see Figure 2–8).
 - c. Install the other two screws in the top and bottom holes of each slide support bracket at each end of the slide.
 - d. Tighten all eight screws to secure each slide.

NOTE

Pull the slide upward when securing it to the rails. Also, ensure that the slide is level and that the slides are at the same height within the cabinet.

Installation

Figure 2-7 XMI Chassis Slide Mounting Pattern

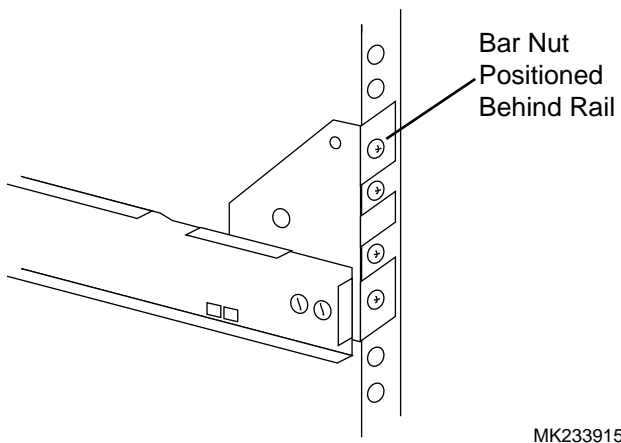


MK-2339-14

5. Tighten the two screws that secure the rear slide bracket to the slide.
6. Repeat steps 1 through 5 for the other slide.
7. Install two U-nuts on each front rail over the 5th and 26th holes up from the datum line by sliding them over the edge of the rail and aligning them with the holes (see Figure 2-7). These are used for securing the XMI chassis, in the closed position, to the rails.

Installation

Figure 2-8 Installing the Equipment Mounting Slides (Rear View of Left Slide with Slide Extended)



Installation

2.5.2 Installing the XMI Chassis on the Slides

To install the XMI (BA601-AC) chassis on the slides, perform the steps in the following procedure:

1. Extend the stabilizing legs at the front of the cabinet (if stabilizing legs are provided).

WARNING

Before attempting to install the equipment into a cabinet or rack, ensure that the cabinet is stable and that all provided stabilizing features have been activated. The stabilizing features for the rack or cabinet are configuration dependent.

2. Extend both of the equipment slides from the cabinet. The slide locking levers lock automatically when the slides are fully extended.

WARNING

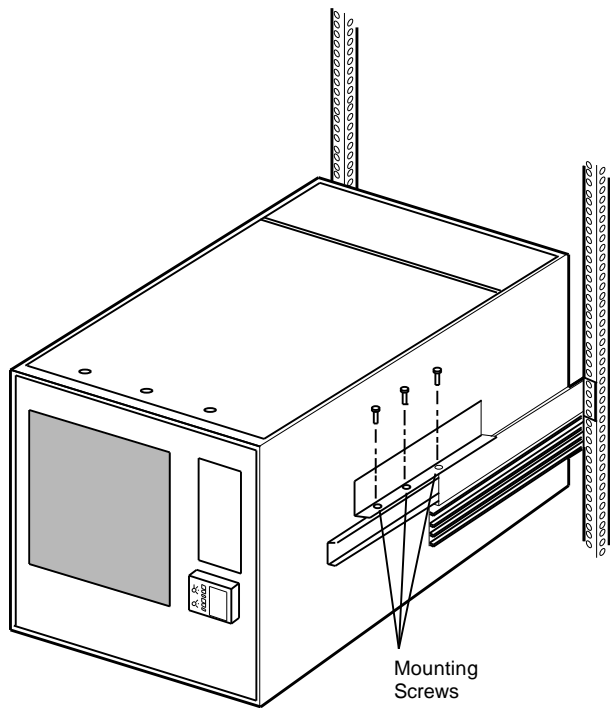
The XMI (BA601-AC) chassis weighs approximately 55 kg (121 lb). Use sufficient personnel, or proper lifting equipment, when lifting or moving this chassis.

3. Remove the front bezel from the XMI chassis by grasping both sides of the bezel and pulling straight out.
4. Lift the XMI chassis onto the equipment slides and carefully position the chassis mounting plate over the three mounting holes in the slide (see Figure 2-9).
5. Secure the XMI chassis to both slides by installing three 8-32 screws through the chassis mounting plates and into the equipment slides (see Figure 2-9).
6. Release the slide locking levers on both slides and carefully slide the XMI chassis into the cabinet. Ensure that the chassis is level, can clear all other equipment in the cabinet, and that the slides operate smoothly.
7. Secure the chassis to the equipment rails by tightening the four screws into the U-nuts that were placed on the front RETMA rails during installation of the slides.

Installation

8. Replace the front bezel on the XMI chassis by grasping both sides of the bezel and pushing it onto the front of the chassis.

Figure 2-9 Installing the XMI Chassis on the Slides



MK-2339-16

Installation

2.6 Cabling

The following sections contain the procedures for connecting the I/O cable(s), the DEC power bus cable, and the console cable. These cable connections *must* be performed in the sequence presented in the following sections.

2.6.1 Connecting the I/O Cable (PN 17-03085-02)

Use the following procedure to connect the I/O cable from the IOP module in the LSB chassis to the I/O bulkhead connector on the XMI chassis.

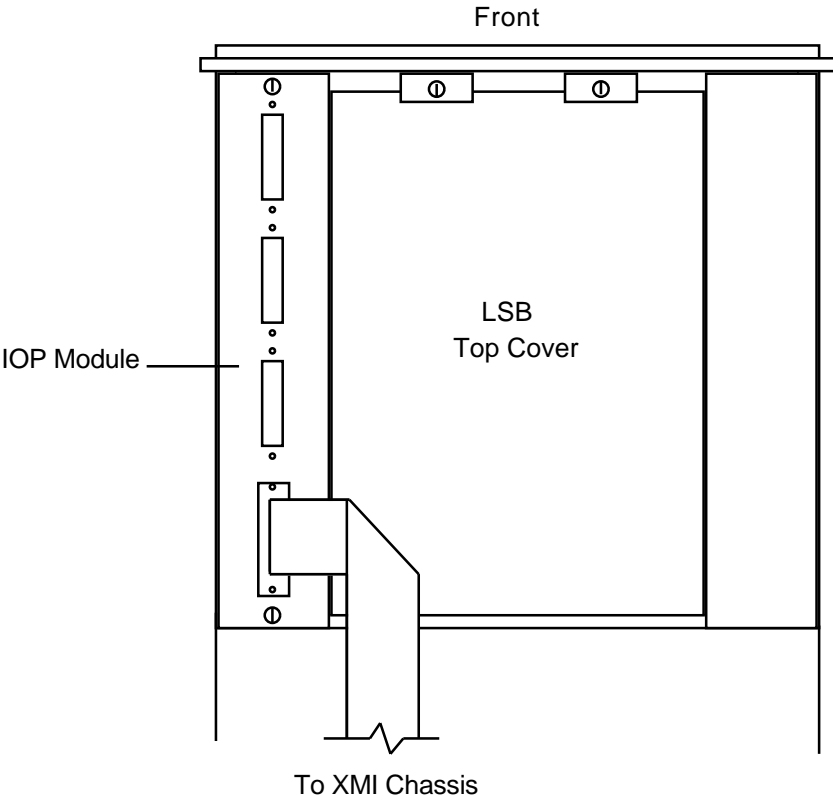
WARNING

Special instructions apply to extend the LSB chassis to prevent personal injury (see Section 5.2.2).

1. Extend the LSB chassis for service (see Section 5.2.2).
2. Remove the cover plate and connect the LSB end of the I/O cable to the rear most available connector of the four connectors on the IOP module, and alternately tighten the two slotted captive screws to secure it in place (see Figure 2-10).
3. Replace the cover plate over any unused IOP connectors.
4. Route the I/O cable toward the rear of the LSB chassis.
5. Open the rear door on the equipment cabinet.
6. Connect the other end of the I/O cable to the I/O connector on the rear bulkhead of the XMI chassis, and tighten the two slotted captive screws to secure it in place (see Figure 2-11).

Installation

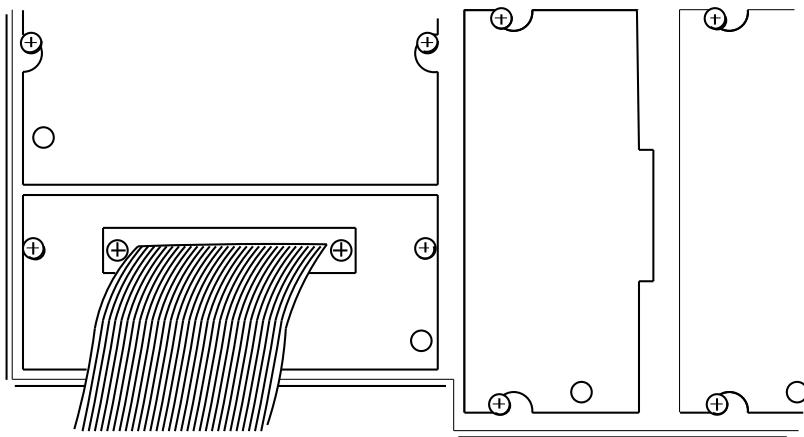
Figure 2-10 Connecting the I/O Cable to the IOP Module



MK-2339-17

Installation

Figure 2-11 Connecting the I/O Cable to the XMI Bulkhead Connector



MK-2339-18

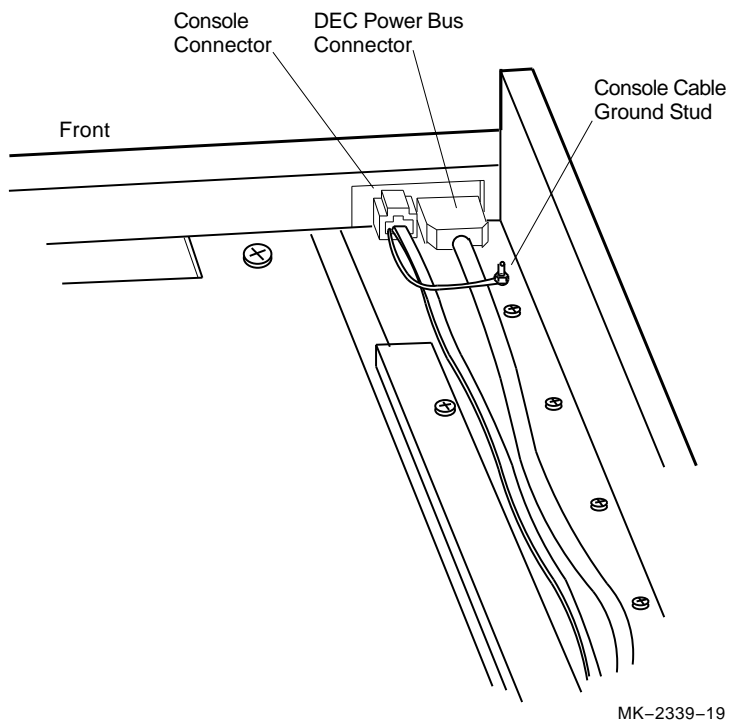
Installation

2.6.2 Connecting the DEC Power Bus Cable (PN 70-31534-01)

Use the following procedure to connect the DEC power bus cable from the LSB chassis to a power sequencing power controller similar to Digital's model 877-E that is included in an H9702-FB cabinet.

1. Connect one end of the DEC power bus cable to the power bus connector located behind the top left edge of the LSB front panel (see Figure 2-12).

Figure 2-12 DEC Power Bus and Console Cable Connectors



2. Route the DEC power bus cable toward the rear of the LSB chassis.
3. Open the rear door on the equipment cabinet.
4. Connect the other end of the DEC power bus cable to the power controller that is mounted on the rear cabinet rails behind the LSB chassis.

Installation

2.6.3 Connecting the Console Cable (PN 17-01364-02)

Use the following procedure to connect the console cable from the LSB chassis to the console terminal.

1. Connect one end of the console cable to the console connector located behind the top left edge of the LSB front panel, and connect the ground wire to the ground stud (see Figure 2-12).
2. Route the console cable toward the rear of the LSB chassis.
3. Open the rear door on the equipment cabinet.
4. Route the console cable through the cable entrance/exit area of the equipment cabinet.
5. Connect the other end of the console cable to the console terminal.
6. Release the slide locking levers on both slides and carefully slide the LSB chassis into the cabinet.
7. Secure the LSB chassis to the equipment rails by tightening the four screws and replacing the front bezels on the LSB and XMI chassis (see Section 5.2.2).

2.7 Connecting the Power Cords

The LSB chassis has a removable power cord and the XMI chassis has its own permanently attached power cord. The LSB and the first XMI chassis in a cabinet should connect to the same power controller. A second and third XMI chassis should connect to a second power controller that is sequenced by the first power controller.

The power controller is connected to an external source of 200-240 Vac (nominal), single phase power.

2.7.1 LSB Chassis Power Cord (PN 17-00083-37)

Use the following procedure to connect the LSB chassis power cord:

1. Connect one end of the LSB power cord to the ac input jack on the rear of the LSB chassis.
2. Connect the other end to an unswitched receptacle on the power controller.

2.7.2 XMI Chassis Power Cord

Use the following procedure to connect the permanently attached XMI chassis power cord:

Connect the unattached end of the XMI power cord to one of the switched receptacles on the power controller, using any adapters that are necessary.

3

Operation

Operation of the rackmount DEC 7000 AXP and VAX 7000 systems begins with connecting the LSB chassis power cord to an unswitched receptacle on the power controller, and connecting the DEC power bus cable from the LSB chassis to the power controller. The XMI chassis power cord is connected to a switched receptacle on the power controller. Place the circuit breakers on the rear of both chassis to the ON position.

The system can now be turned off and on with the On/Off push-button switch on the LSB chassis control panel.

WARNING

The only way to remove all power from a chassis is to place the circuit breaker in the OFF position and disconnect the power cord from the power controller.

Refer to Section 1.2.2 for the LSB chassis controls and indicators.

Refer to Section 1.3.2 for the XMI chassis controls and indicators.

For information on booting the system refer to the *DEC 7000 AXP System/VAX 7000 Operations Manual* (EK-7000B-OP).

Refer to the *DEC 7000 AXP System/VAX 7000 Console Reference Manual* (EK-70C0B-TM) for information on the console user interface and the console commands.

4

Troubleshooting

This chapter discusses basic troubleshooting and diagnostic testing information and aids in troubleshooting the LSB and XMI chassis.

Troubleshooting

Table 4–1 lists indications of possible hardware problems that may occur in the LSB chassis and the corrective action to take for each problem.

Table 4–1 LSB Chassis Troubleshooting

| Indication | Possible Cause | Corrective Action |
|--|---|---|
| No LEDs light when On/Off push button is pushed in. | Power cord is not plugged in. | Plug in the power cord. |
| | Circuit breaker is not on. | Place the circuit breaker in the ON position. |
| | Cable between the power supply and the control panel module is loose or not connected. | Check the cable between the power supply and the control panel module. |
| | 48 Vdc power supply is out of tolerance or has failed. | Replace the 48 Vdc power supply. |
| Fault LED goes out after powerup, but no self-test display | Control panel module has failed. | Replace the control panel module. |
| | Console terminal is not powered up and online. | Power up the terminal and set it online (at proper terminal settings). |
| | Console cable is not properly connected between the LSB chassis and the console. | Check the console cable connections on the LSB chassis and the console. |
| Fault LED fails to blink during the power-up sequence | Improper baud rate. | Set to the correct baud rate. |
| | Blower has failed. | Check the blower to see if it is rotating. If not, replace the blower. |
| Fault LED stays lit after power-up self-test. | Blower status cable to the control panel module is loose or disconnected. | Check the blower status cable connection to the control panel module. |
| | A memory module, CPU module, or one of the I/O modules in the XMI chassis has failed self-test. | Check the self-test display on the console and replace the failed module. |

Troubleshooting

Table 4–2 lists indications of possible hardware problems that may occur in the XMI chassis and the corrective action to take for each problem.

Table 4–2 XMI Chassis Troubleshooting

| Indication | Possible Cause | Corrective Action |
|---|---|---|
| No LEDs light | Power cord is not plugged in. | Plug in the power cord. |
| | Circuit breaker is not on. | Place the circuit breaker in the ON position. |
| | Upper switch is not on. | Place the upper control panel switch in the ENABLE or SECURE position. |
| | On/Off push button is not pushed in (On) on the LSB chassis. | Press the On/Off push button in on the LSB chassis. |
| | Power cord on the LSB chassis is not plugged in. | Plug in the power cord. |
| | LSB chassis circuit breaker is not on. | Place the LSB chassis circuit breaker in the ON position. |
| | DEC power bus cable is not properly connected between the LSB chassis and the power controller. | Check the DEC power bus cable connections on the LSB chassis and the power controller. |
| No fans, unit shuts down after one minute | Fan cable is loose or not connected. | Check the fan cable or reconnect the cable. |
| | No 24 Vdc. | Check the cables. Replace the 24 Vdc miniconverter (E2) on the sequencer and auxiliary dc voltage regulator tray, or replace the tray itself. |
| | Airflow problem. | Check the position of the detector, or the fan operation itself. |
| Fans OK, but no LEDs light | Cable connection problem between XMI backplane, XTC card, and console panel. | Ensure that the connectors are on securely. |

(continued on next page)

Troubleshooting

Table 4–2 (Cont.) XMI Chassis Troubleshooting

| Indication | Possible Cause | Corrective Action |
|---|--|---|
| Fault LED goes out, but no self-test display | Console terminal is not powered up and online. | Power up the terminal and set it online (at proper terminal settings). |
| | Front console switch, S1, is in the SECURE position. | Place S1 in the ENABLE position. |
| | Improper baud rate. | Set to the correct baud rate. |
| | Not all necessary voltages are applied. | Check the backplane for all the necessary voltage supplies. |
| Module does not appear on self-test results | Loose cabling on the backplane. | Check and secure all the cables on the backplane. |
| | Firmware needs updating. | Boot and run the LFU utility. |
| | Bad module. | Replace the module. |
| Intermittent module response | Loose cabling on the backplane. | Check and secure all the cables on the backplane and the I/O bulkheads. |
| | Poor contact on the module connectors. | Clean the module connectors. |
| Front panel LEDs flash on, and then remain off when the system is turned on | +5 Vdc is not coming up. | Replace the 5 Vdc master and/or 5 Vdc booster power regulator trays. |
| No -5.2 Vdc | 3.3 Vdc/-5.2 Vdc tray is bad. | Replace the 3.3 Vdc/-5.2 Vdc modules (E2, E4, E10) on the regulator tray, or replace the tray itself. |

For information on the system procedure required when changing or adding CPU modules, recovering from a corrupted EEPROM or FEPRM, and updating firmware, refer to the *DEC 7000 AXP System / VAX 7000 System Service Manual* (EK-7002B-SV).

For information on basic system troubleshooting; the power-up and system reset self-test; how to get information on the hardware configuration; and how to test the system, subsystem, or module/device, refer to the *DEC 7000 AXP System / VAX 7000 Basic Troubleshooting* (EK-7000B-TS).

Troubleshooting

For more advanced self-test and diagnostic troubleshooting procedures, refer to either the *DEC 7000 AXP System Advanced Troubleshooting* (EK-7701A-TS) or *VAX 7000 Advanced Troubleshooting* (EK-7001A-TS) depending on the system.

5

Removal and Replacement

5.1 Introduction

This chapter contains the procedures for removing and replacing the components that are unique in the rackmount DEC 7000 AXP and VAX 7000 systems LSB (BA700-AA) and XMI (BA601-AC) chassis.

The following tools are required for servicing the LSB and XMI chassis:

- Medium Phillips screwdriver
- Small Phillips screwdriver
- Small flat blade screwdriver
- Adjustable wrench
- DVM meter and probes

WARNING

Before servicing either chassis, ensure that the circuit breakers are in the OFF position at both the chassis and the power controller.

Removal and Replacement

5.2 LSB Chassis Components

The following sections contain the removal and replacement procedures for the components that are unique to the LSB chassis in the rackmount DEC 7000 AXP and VAX 7000 systems.

5.2.1 Front Bezel

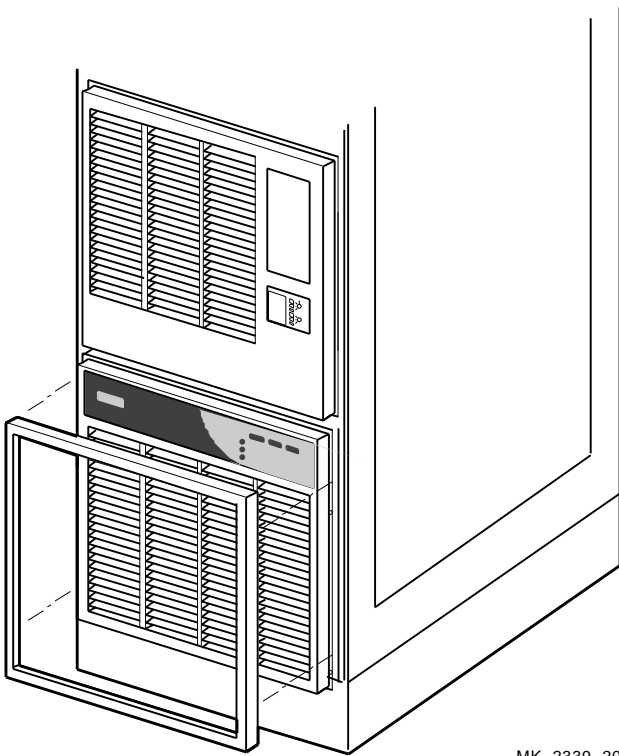
Perform the following procedure to remove the front bezel from the LSB chassis:

1. Grasp the front bezel on each side.
2. Pull straight out until the bezel unsnaps from the catches (see Figure 5–1).

To replace the front bezel, push it onto the front of the chassis until it snaps into place.

Removal and Replacement

Figure 5-1 Removing the Front Bezel from the LSB Chassis



MK-2339-20

Removal and Replacement

5.2.2 Extending the LSB Chassis for Service

WARNING

Before extending the LSB chassis for service, ensure that the cabinet is stable and that all provided stabilizing features have been activated. The stabilizing features for the rack or cabinet are configuration dependent.

Perform the following procedure to extend the LSB chassis for service:

1. Extend the stabilizing legs at the front of the cabinet (if stabilizing legs are provided).
2. Remove the LSB front bezel (see Section 5.2.1).
3. Remove the XMI front bezel (see Section 5.3.1).

WARNING

Failure to remove the XMI front bezel before extending the LSB chassis will cause the XMI front bezel to fall and may result in personal injury.

4. Remove the four retaining screws that secure the chassis to the front rails (see Figure 5–2).

CAUTION

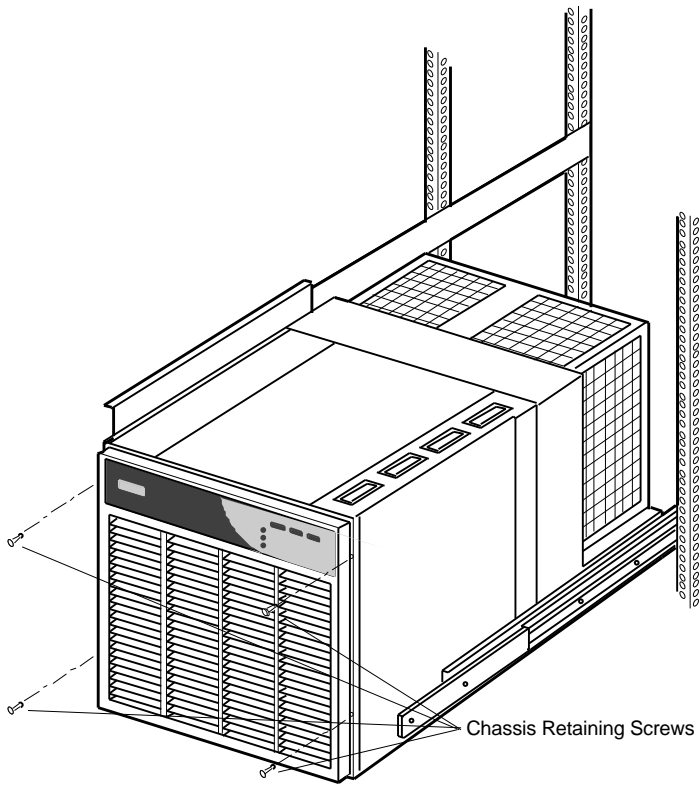
Check and ensure that all cables are free to follow the chassis before extending the chassis.

5. Carefully pull the LSB chassis forward until the slides lock in the extended position.

To secure the chassis in the cabinet, press in on the left and right slide locks and reverse steps 1 through 5.

Removal and Replacement

Figure 5-2 Extending the LSB Chassis



MK-2339-21

Removal and Replacement

5.2.3 Top Cover

Perform the following procedure to remove the top cover:

WARNING

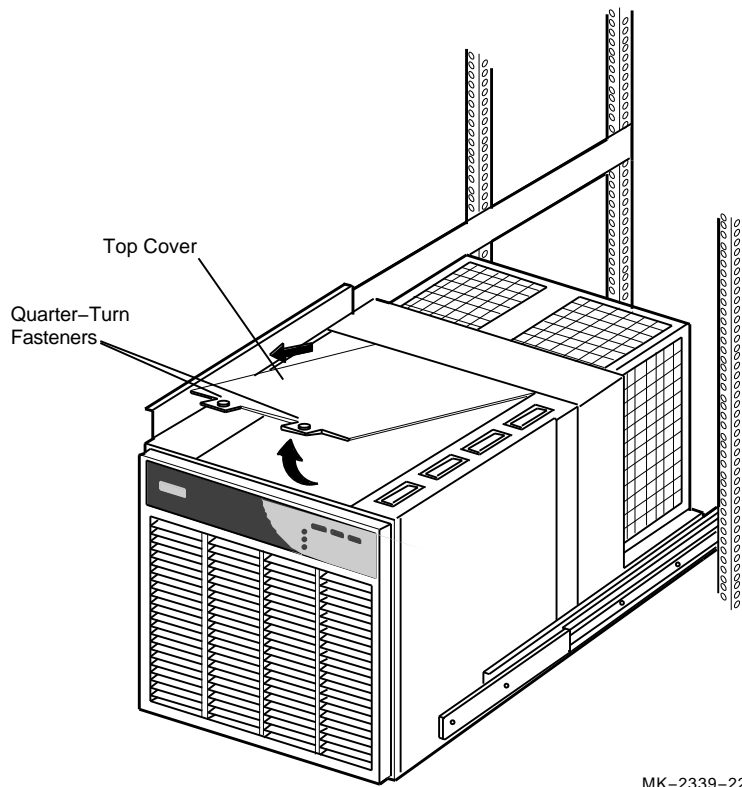
Special instructions apply to extend the LSB chassis to prevent personal injury (see Section 5.2.2).

1. Extend the LSB chassis for service (see Section 5.2.2).
2. Loosen the two quarter-turn fasteners along the top front edge of the chassis that secure the top cover (see Figure 5-3).
3. Lift up on the front edge of the top cover and pull forward until the tabs on the back edge slide out of the retaining slots (see Figure 5-3).

To replace the top cover, slide the tabs on the back edge of the cover into the retaining slots and tighten the two quarter-turn fasteners along the top front edge of the chassis that secure the top cover.

Removal and Replacement

Figure 5-3 Removing the Top Cover



MK-2339-22

Removal and Replacement

5.2.4 CPU and Memory Modules

Perform the following procedure to remove CPU or memory modules:

WARNING

Before performing the following removal and replacement procedures, switch off the circuit breakers on the back of the LSB chassis and on the power controller.

WARNING

Special instructions apply to extend the LSB chassis to prevent personal injury (see Section 5.2.2).

1. Extend the LSB chassis for service (see Section 5.2.2).
2. Remove the top cover (see Section 5.2.3).
3. Put on an antistatic wriststrap.

CAUTION

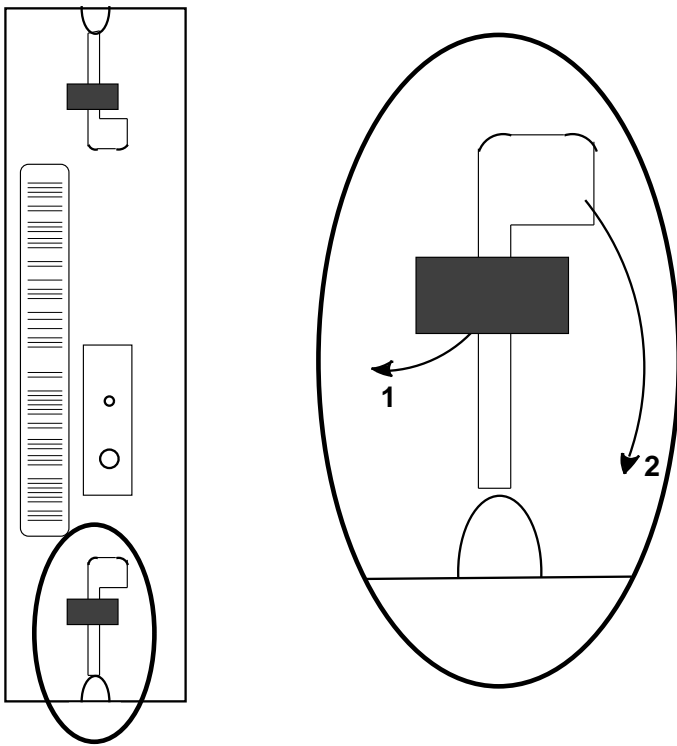
An antistatic wriststrap must be worn when handling any module to prevent damage to the module.

4. On the module being removed, pull the two black restraining clips up and to the left (see Figure 5–4 (1)). The clips snap when they open.
5. Pull both levers up at the same time until they are perpendicular to the top of the module (see Figure 5–4 (2)). This frees the module from the backplane.
6. Holding the levers, pull up on the module until it is out far enough to be able to hold it underneath as it is removed.
7. When the module is free of the card cage, place it on an ESD pad in a safe area, or pack it in the box that the new module was shipped in.

To replace a CPU or memory module, align the tracks of the module with the tracks in the card cage slot and reverse steps 1 through 7.

Removal and Replacement

Figure 5-4 Removing the CPU and Memory Modules



MK-2339-23

Removal and Replacement

5.2.5 I/O Port Controller (IOP) Module (E2044-AA)

Perform the following procedure to remove the I/O port controller module:

WARNING

Before performing the following removal and replacement procedures, switch off the circuit breakers on the back of the LSB chassis and on the power controller.

WARNING

Special instructions apply to extend the LSB chassis to prevent personal injury (see Section 5.2.2).

1. Extend the LSB chassis for service (see Section 5.2.2).
2. Put on an antistatic wriststrap.

CAUTION

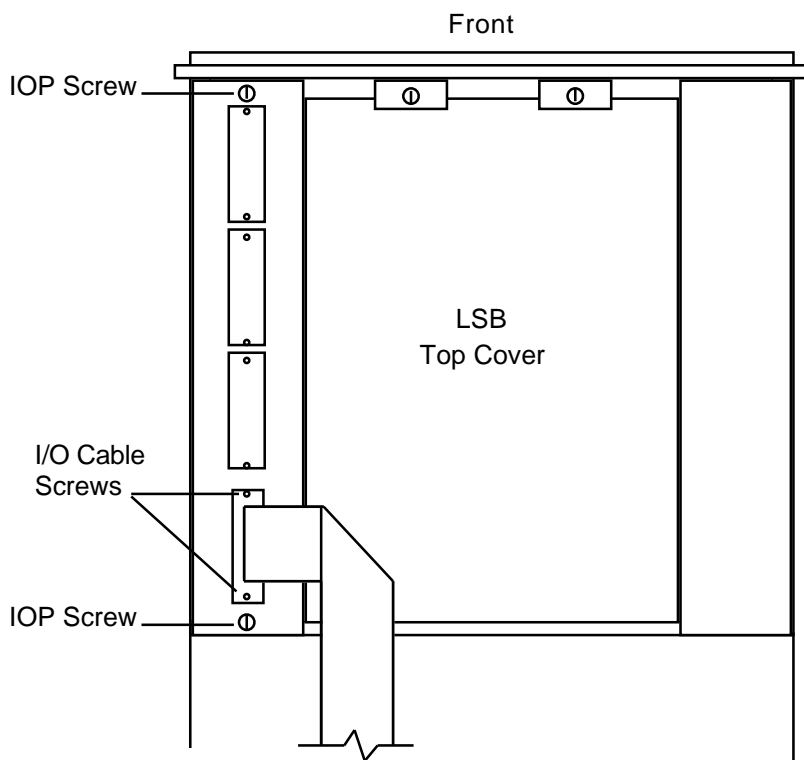
An antistatic wriststrap must be worn when handling any module to prevent damage to the module.

3. Loosen the slotted captive screws that secure the I/O cable(s) to the connector(s) on the IOP module (see Figure 5-5) and disconnect the cable(s).
4. Alternately loosen the two screws that secure the IOP module in the chassis until the module is free of the connector (see Figure 5-5). Do not loosen one screw completely before loosening the other. This keeps the module from binding in the card guides.
5. Slide the module from the card cage.

To replace the IOP module, align the tracks of the module with the tracks in the card cage slot and reverse steps 1 through 5.

Removal and Replacement

Figure 5-5 Removing the IOP Module



MK-2339-24

Removal and Replacement

5.2.6 Left Side Cover

Perform the following procedure to remove the left side cover:

WARNING

Before performing the following removal and replacement procedures, switch off the circuit breakers on the back of the LSB chassis and on the power controller.

WARNING

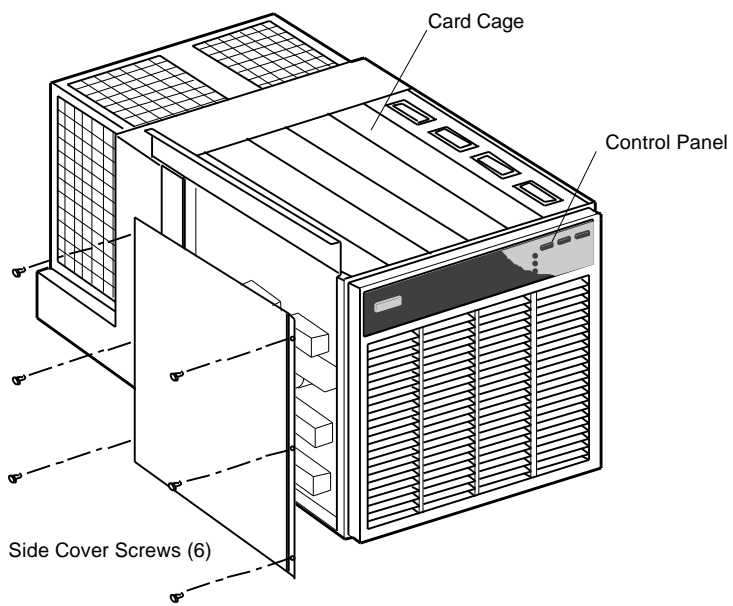
Special instructions apply to extend the LSB chassis to prevent personal injury (see Section 5.2.2).

1. Extend the LSB chassis for service (see Section 5.2.2).
2. Remove the six screws that secure the left side cover to the chassis (see Figure 5-6).
3. Pull the left side cover straight out until it clears the top and bottom lips of the chassis (see Figure 5-6).

To replace the left side cover, place the cover back into position and install the six screws that secure it in place.

Removal and Replacement

Figure 5-6 Removing the Left Side Cover



MK-2339-25

Removal and Replacement

5.2.7 48 Vdc Power Supply (PN 30-39348-02)

Perform the following procedure to remove the 48 Vdc power supply:

WARNING

Before performing the following removal and replacement procedures, switch off the circuit breakers on the back of the LSB chassis and on the power controller.

WARNING

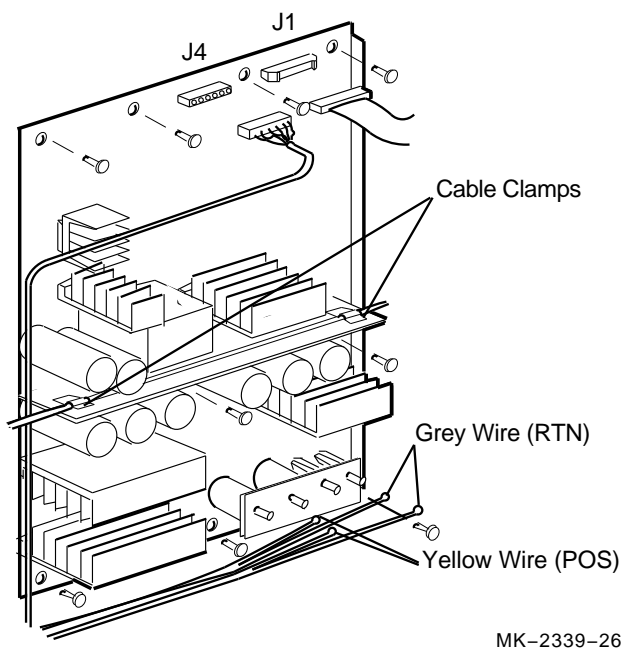
Special instructions apply to extend the LSB chassis to prevent personal injury (see Section 5.2.2).

1. Extend the LSB chassis for service (see Section 5.2.2).
2. Remove the left side cover (see Section 5.2.6).
3. Disconnect the connectors from J1 and J4 on the power supply (see Figure 5-7).
4. Use an adjustable wrench to remove the nuts from the POS and RTN terminals on the power supply (see Figure 5-7).
5. Remove the wires from the POS and RTN terminals and ensure that they are properly labeled for reconnection (see Figure 5-7).
6. Remove the wires from the cable clamps (see Figure 5-7).
7. Remove the nine screws that secure the power supply to the chassis and lift the power supply out of the chassis (see Figure 5-7).

To replace the 48 Vdc power supply, reverse steps 1 through 7.

Removal and Replacement

Figure 5-7 Removing the 48 Vdc Power Supply



Removal and Replacement

5.2.8 Control Panel (PN 54-21719-01)

Perform the following procedure to remove the control panel:

WARNING

Before performing the following removal and replacement procedures, switch off the circuit breakers on the back of the LSB chassis and on the power controller.

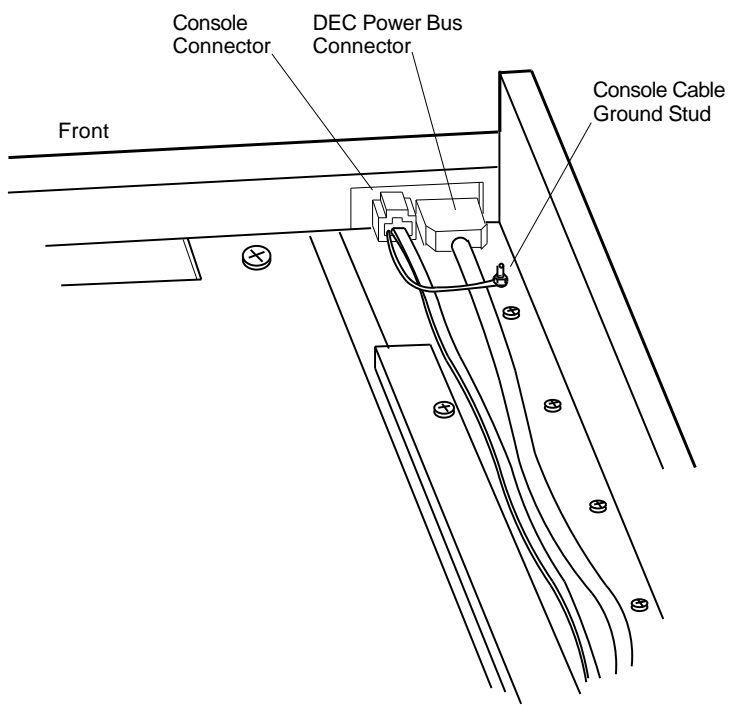
WARNING

Special instructions apply to extend the LSB chassis to prevent personal injury (see Section 5.2.2).

1. Extend the LSB chassis for service (see Section 5.2.2).
2. Disconnect the DEC power bus cable and the console cable from the connectors located behind the top left edge of the front panel (see Figure 5–8).
3. Use a wrench to remove the six nuts that secure the front panel to the LSB chassis (see Figure 5–9).

Removal and Replacement

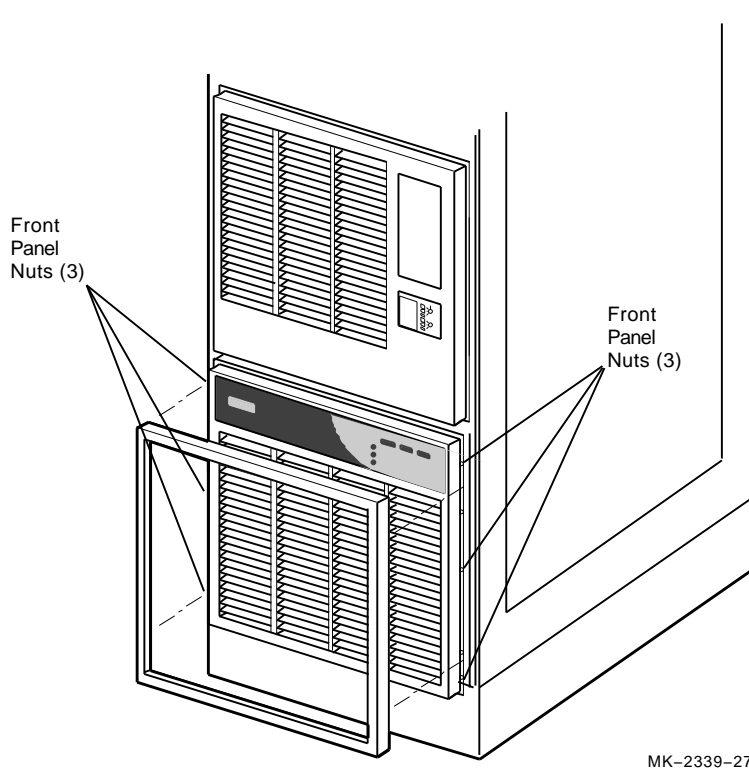
Figure 5-8 DEC Power Bus and Console Cable Connectors



MK-2339-19

Removal and Replacement

Figure 5-9 Removing the Front Panel



MK-2339-27

4. Pull the front panel straight out until it clears the posts, then swing the right edge to the left to allow access to the connectors (see Figure 5-10).

CAUTION

The front panel must be supported while completing the remaining steps.

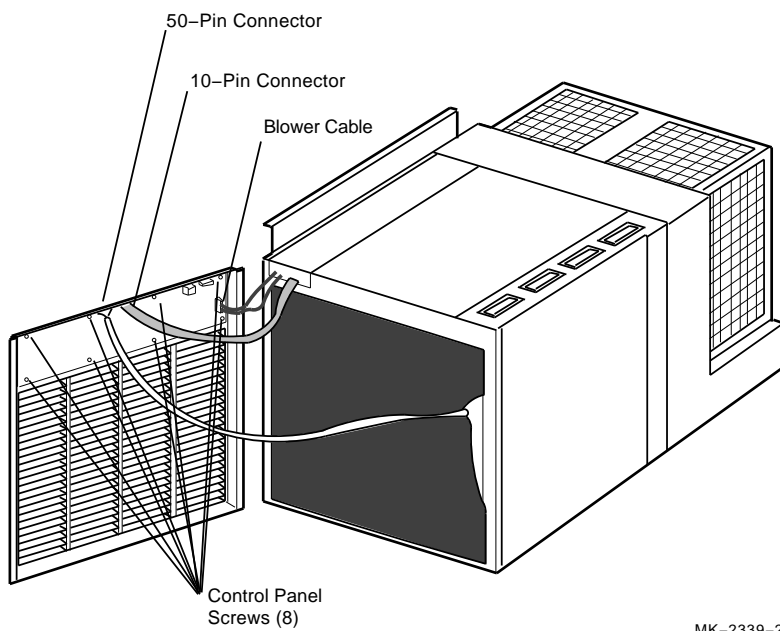
5. Disconnect the two-conductor blower cable from the back of the control panel (see Figure 5-10).

Removal and Replacement

6. Remove the eight screws that secure the control panel to the front panel and lay the front panel aside (see Figure 5-10).
7. Disconnect the 50-pin and 10-pin connectors from the control panel (see Figure 5-10).

To replace the control panel, reverse steps 1 through 7.

Figure 5-10 Removing the Control Panel



MK-2339-28

Removal and Replacement

5.2.9 Blower Assembly (PN 12-41009-01)

The blower assembly is accessed from the rear of the equipment cabinet *without* extending the LSB chassis for service.

Perform the following procedure to remove the blower assembly:

WARNING

Before performing the following removal and replacement procedures, switch off the circuit breakers on the back of the LSB chassis and on the power controller.

1. Open the rear door of the equipment cabinet.

NOTE

Removal of the blower assembly may require removal of the power controller for easier access. If this is required, disconnect the power controller from the external source of 200-240 Vac power before removing the power controller.

2. Remove the 13 screws that secure the blower assembly to the bottom and back of the LSB chassis (see Figure 5–11).
3. Slide the blower assembly toward the back of the cabinet and reach between the blower assembly and the chassis to disconnect the blower assembly power cable.

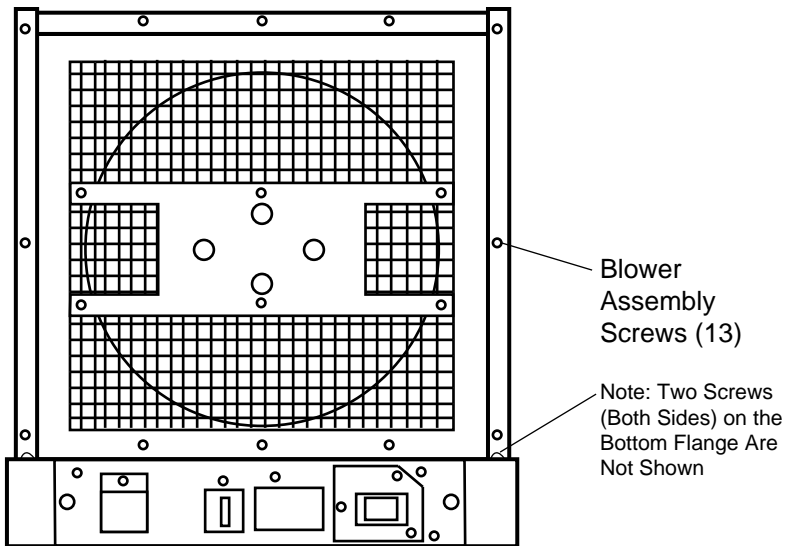
To replace the blower assembly, reverse steps 1 through 3.

NOTE

If the power controller was removed to gain access to the blower assembly, reinstall it after replacing the blower assembly.

Removal and Replacement

Figure 5-11 Removing the Blower Assembly



MK233929

Removal and Replacement

5.2.10 AC Input Box (PN 30-39579-01)

The ac input box is accessed from the rear of the equipment cabinet *without* extending the LSB chassis for service.

Perform the following procedure to remove the ac input box:

WARNING

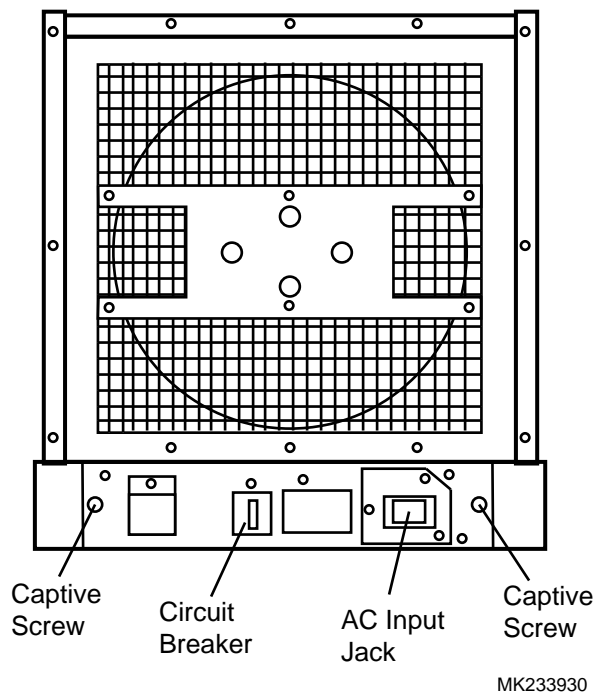
Before performing the following removal and replacement procedures, switch off the circuit breakers on the back of the LSB chassis and on the power controller.

1. Open the rear door of the equipment cabinet.
2. Disconnect the power cord from the ac input jack on the ac input box (see Figure 5-12).
3. Loosen the two captive screws that secure the ac input box to the LSB chassis (see Figure 5-12).
4. Slide the ac input box toward the back of the cabinet and reach between the ac input box and the chassis to disconnect the ac input box power cable.

To replace the ac input box, reverse steps 1 through 4.

Removal and Replacement

Figure 5-12 Removing the AC Input Box



Removal and Replacement

5.3 XMI Chassis Components

The following sections contain the removal and replacement procedures for the components that are unique to the XMI chassis in the rackmount DEC 7000 AXP and VAX 7000 systems.

5.3.1 Front Bezel

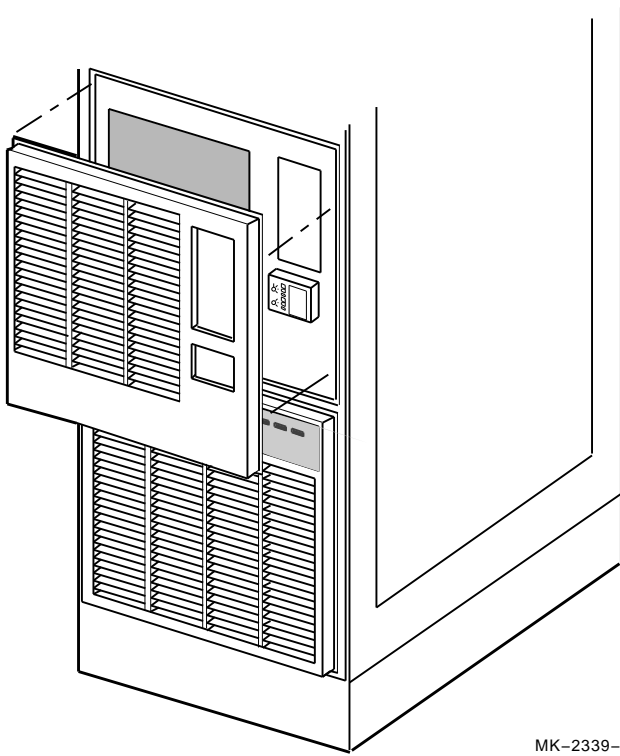
Perform the following procedure to remove the front bezel from the XMI chassis:

1. Grasp the front bezel on each side.
2. Pull straight out until the bezel unsnaps from the catches (see Figure 5–13).

To replace the front bezel, push it onto the front of the chassis until it snaps into place.

Removal and Replacement

Figure 5-13 Removing the Front Bezel from the XMI Chassis



MK-2339-31

Removal and Replacement

5.3.2 Extending the XMI Chassis for Service

WARNING

Before extending the XMI chassis for service, ensure that the cabinet is stable and that all provided stabilizing features have been activated. The stabilizing features for the rack or cabinet are configuration dependent.

Perform the following procedure to extend the XMI chassis for service:

1. Extend the stabilizing legs at the front of the cabinet (if stabilizing legs are provided).
2. Remove the front bezel (see Section 5.3.1).
3. Remove the four retaining screws that secure the chassis to the front rails (see Figure 5–14).

CAUTION

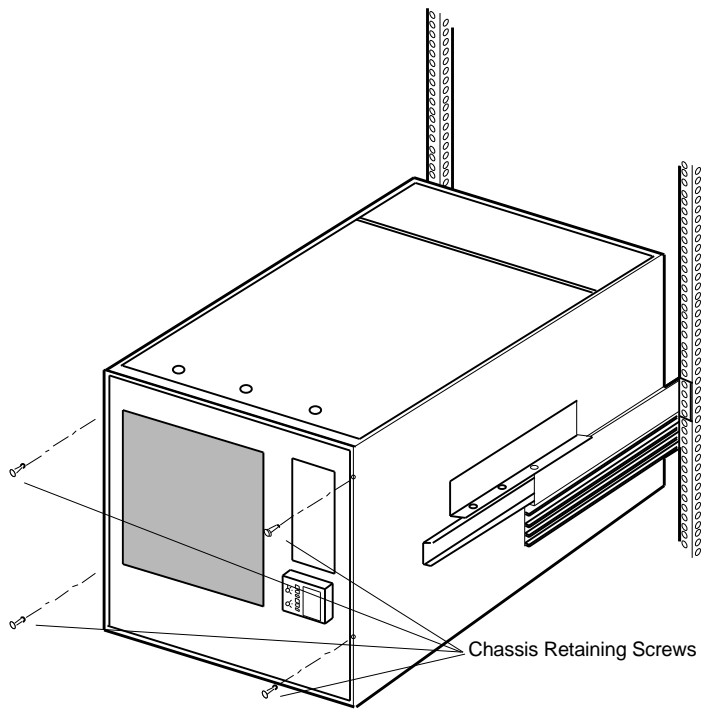
Check and ensure that all cables are free to follow the chassis before extending the chassis.

4. Carefully pull the XMI chassis forward until the slides lock in the extended position.

To secure the chassis in the cabinet, press in on the left and right slide locks and reverse steps 1 through 4.

Removal and Replacement

Figure 5-14 Extending the XMI Chassis



MK-2339-32

Removal and Replacement

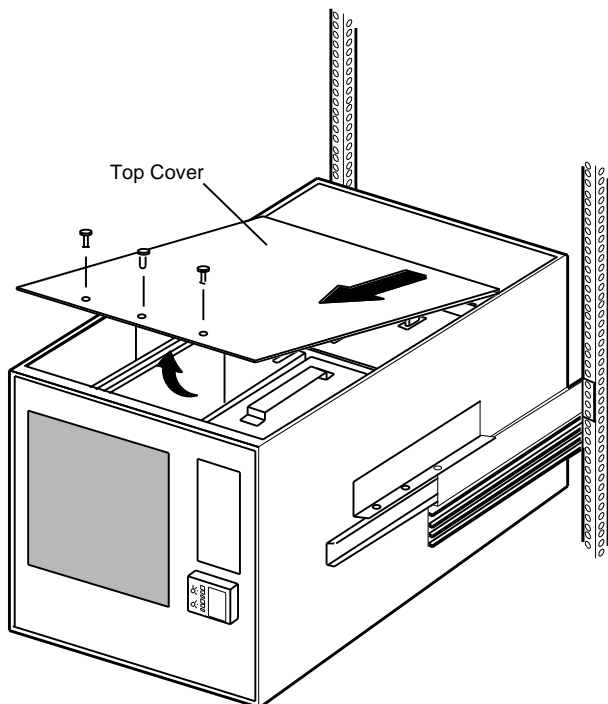
5.3.3 Top Cover

Perform the following procedure to remove the top cover:

1. Extend the XMI chassis for service (see Section 5.3.2).
2. Remove the three screws along the top front edge of the chassis that secure the top cover (see Figure 5-15).
3. Lift up on the front edge of the top cover and pull forward until the back edge slides out from under the retaining lip (see Figure 5-15).

To replace the top cover, slide the back edge of the cover under the retaining lip and install the three screws along the top front edge of the chassis that secure the top cover.

Figure 5-15 Removing the Top Cover



MK-2339-33

Removal and Replacement

5.3.4 Bottom Cover

Perform the following procedure to remove the bottom cover:

NOTE

Components that require access from the bottom of the XMI chassis may be more conveniently accessed by removing the XMI chassis from the slides and using a workbench area for service.

1. Extend the XMI chassis for service (see Section 5.3.2).
2. Remove the four screws along the bottom front edge of the chassis that secure the bottom cover (see Figure 5-16).

WARNING

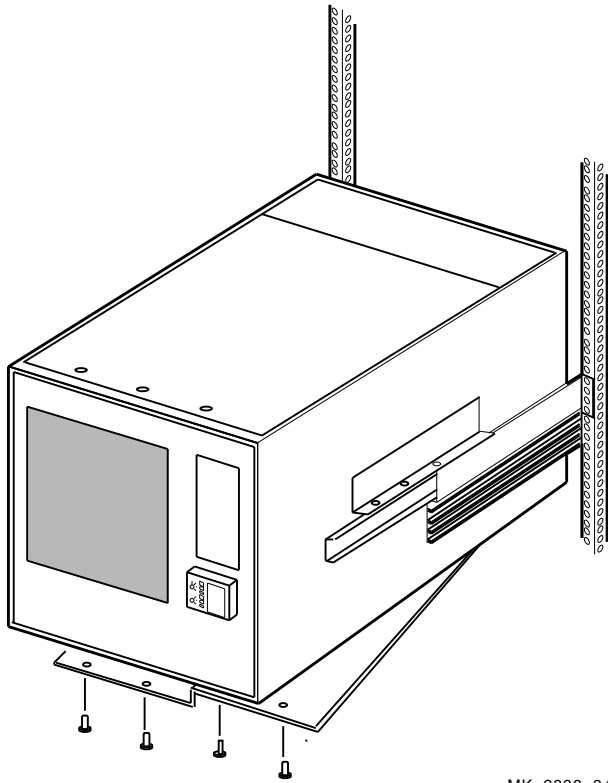
Hold the cover in place while removing the last screw to prevent the cover from falling.

3. Let the front edge of the bottom cover down and pull forward until the back edge slides out from under the retaining lip (see Figure 5-16).

To replace the bottom cover, slide the back edge of the cover under the retaining lip and install the four screws along the bottom front edge of the chassis that secure the bottom cover.

Removal and Replacement

Figure 5-16 Removing the Bottom Cover



MK-2339-34

Removal and Replacement

5.3.5 Control Panel Bezel (PN 70-22117-01)

Perform the following procedure to remove the control panel bezel:

WARNING

Before performing the following removal and replacement procedures, switch off the circuit breakers on the back of the XMI chassis and on the power controller.

1. Extend the XMI chassis for service (see Section 5.3.2).
2. Remove the two 4-40 screws securing the control panel bezel to the front of the chassis using a small Phillips screwdriver (see Figure 5-17).
3. Carefully lift the control panel bezel off.

NOTE

Be careful not to lose the small free-floating push-button restart switch inside the control panel.

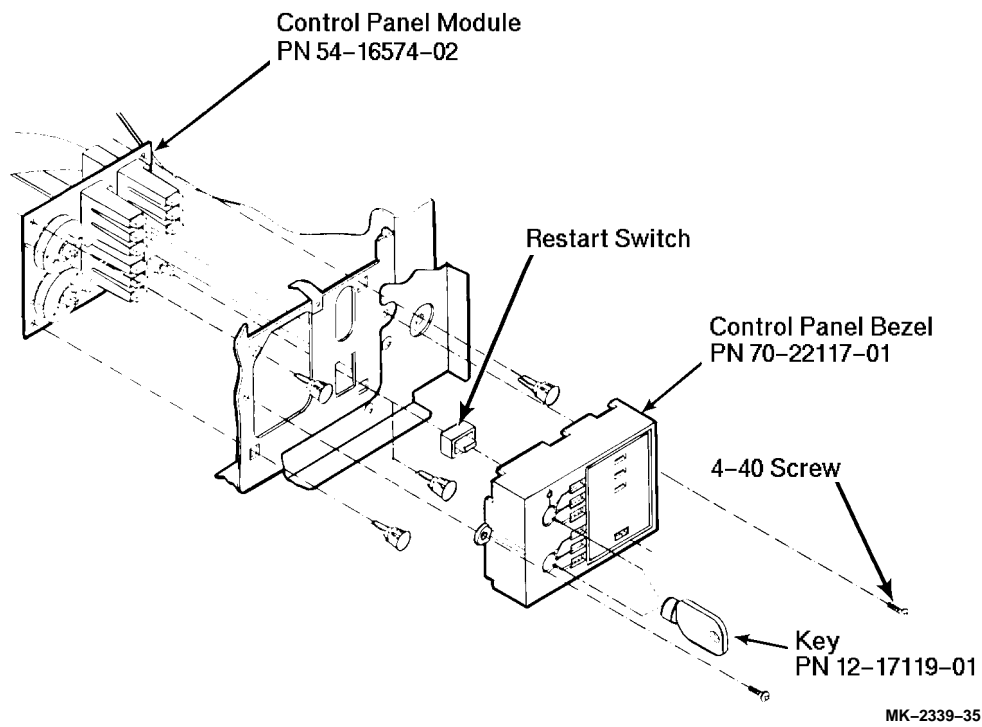
To replace the control panel bezel, reverse steps 1 through 3.

NOTE

When replacing the control panel bezel, ensure that the key slots inside the control panel bezel align with the switches on the control panel printed circuit board.

Removal and Replacement

Figure 5-17 Removing the Control Panel Bezel



Removal and Replacement

5.3.6 Control Panel Module (PN 54-16574-02)

Perform the following procedure to remove the control panel module:

WARNING

Before performing the following removal and replacement procedures, switch off the circuit breakers on the back of the XMI chassis and on the power controller.

1. Extend the XMI chassis for service (see Section 5.3.2).
2. Remove the control panel bezel (see Section 5.3.5).
3. Remove the top cover (see Section 5.3.3).
4. Remove the four screws that secure the RRD42/TF85 option cage to the right side of the chassis and lift the cage out.

NOTE

If a TF85 tape drive or an RRD42 CD-ROM reader is installed in the option cage, remove the option cage by following the procedure in Section 5.3.15 or Section 5.3.17.

CAUTION

You must wear an antistatic wriststrap attached to the chassis when handling any modules.

5. Put on the antistatic wriststrap. This strap is contained in the plastic pouch located on top of the power supply modules.
6. Disconnect the control panel cable connector from the XTC timing module (see Figure 5-18).

NOTE

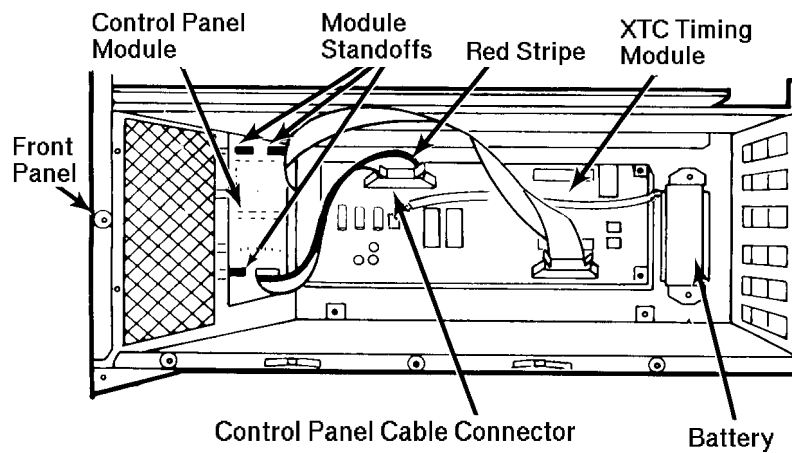
When replacing the control panel module, ensure that the cable connector is connected with the red stripe on the cable oriented as shown in Figure 5-18.

Removal and Replacement

7. Squeeze the ends of the four standoffs holding the module to the chassis, and pull the module past the locking tab on each standoff (see Figure 5-18).
8. Remove the module.

To replace the control panel module, reverse steps 1 through 8.

Figure 5-18 Removing the Control Panel Module



MK-2339-36

Removal and Replacement

5.3.7 XTC Timing Module (PN 70-31509-01)

Perform the following procedure to remove the XTC timing module:

WARNING

Before performing the following removal and replacement procedures, switch off the circuit breakers on the back of the XMI chassis and on the power controller.

1. Extend the XMI chassis for service (see Section 5.3.2).
2. Remove the top cover (see Section 5.3.3).
3. Remove the four screws that secure the RRD42/TF85 option cage to the right side of the chassis and lift the cage out.

NOTE

If a TF85 tape drive or an RRD42 CD-ROM reader is installed in the option cage, remove the option cage by following the procedure in Section 5.3.15 or Section 5.3.17.

CAUTION

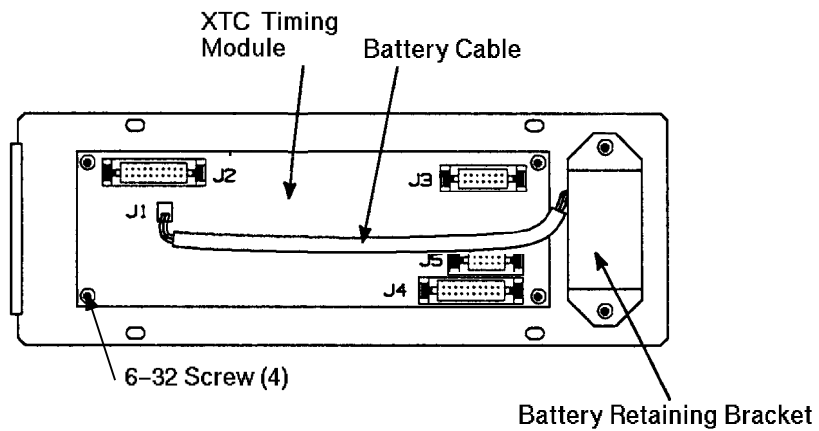
You must wear an antistatic wriststrap attached to the chassis when handling any modules.

4. Put on the antistatic wriststrap. This strap is contained in the plastic pouch located on top of the power supply modules.
5. Reach down through the area where the option cage was installed and disconnect the three ribbon-style cable connectors (J2, J3, and J4) and the battery connector (J1) on the XTC timing module (see Figure 5-19). Note the orientation of the module for later replacement.
6. Remove the four 6-32 screws securing the XTC timing module to the chassis using a Phillips screwdriver (see Figure 5-19).
7. Remove the XTC timing module by lifting it out through the top of the chassis.

Removal and Replacement

To replace the XTC timing module, reverse steps 1 through 7.

Figure 5-19 Battery and XTC Connections



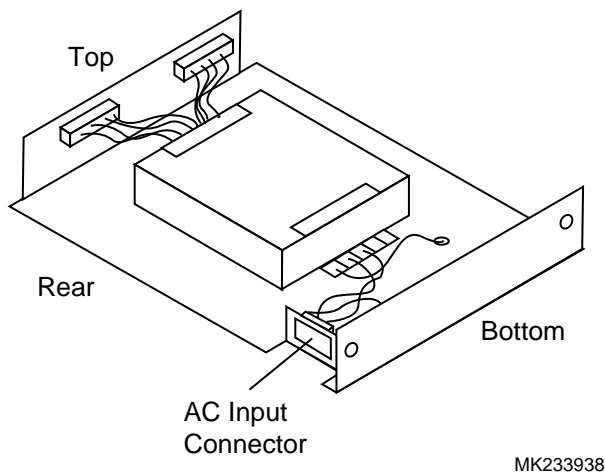
MK-2339-37

Removal and Replacement

5.3.8 AC Front End Trays (PN 70-27334-01)

The XMI chassis power supply incorporates two identical ac front end tray assemblies that provide power for the dc regulator inputs (see Figure 5–20). Each of these two trays converts the 200-240 Vac input from the electrical service into a 300 Vdc output. Each ac front end tray provides 300 Vdc to a pair of dc-to-dc converter trays through its own power cable assemblies. One ac front end tray feeds (300 Vdc) to the 5 Vdc master and the 5 Vdc booster regulator trays. The other ac front end tray feeds (300 Vdc) to the sequencer and auxiliary dc voltage and the 3.3 Vdc/-5.2 Vdc regulator trays. The ac front end trays are located in positions A and B in Figure 5–21 through Figure 5–23.

Figure 5–20 AC Front End Tray



Removal and Replacement

Perform the following procedure to remove the ac front end trays:

WARNING

Before performing the following removal and replacement procedures, switch off the circuit breakers on the back of the XMI chassis and on the power controller.

1. Extend the XMI chassis for service (see Section 5.3.2).
2. Remove the top cover (see Section 5.3.3).

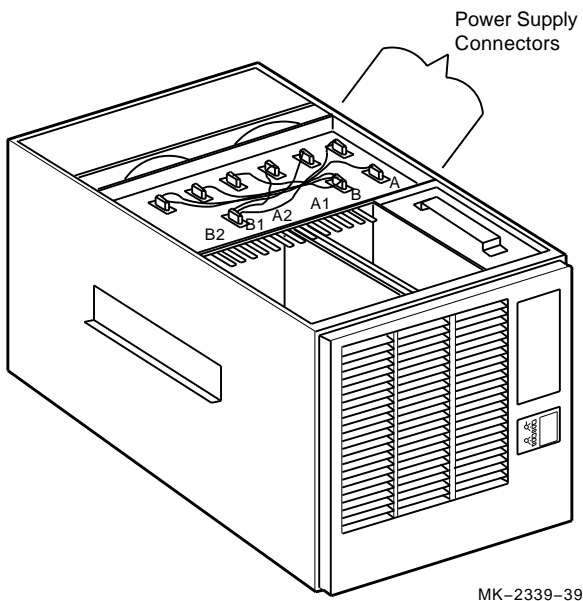
WARNING

High voltage is present on the ac front end tray connectors for about 30 seconds after the XMI circuit breaker is turned off.

3. Disconnect the power supply connectors from the appropriate ac front end tray to be replaced (see Figure 5–21 and Figure 5–22).

Removal and Replacement

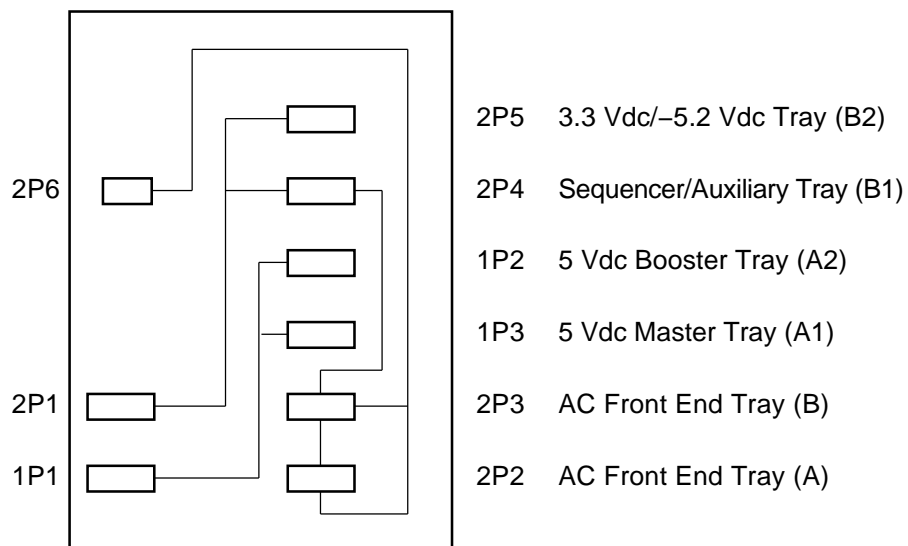
Figure 5-21 Power Supply Top Connectors



MK-2339-39

Removal and Replacement

Figure 5-22 Power Supply Top Interconnect Diagram



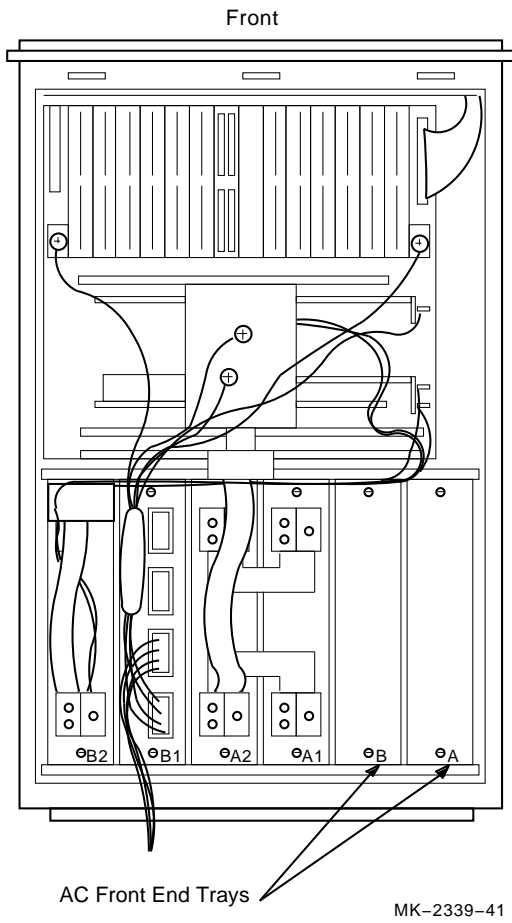
MK-2339-40

4. Remove the bottom cover (see Section 5.3.4).
5. Remove the input connector on the rear side of the tray from the bottom (between the tray and the fans).
6. Remove the two screws securing the ac front end tray in the power supply assembly (see Figure 5-23).
7. Remove the ac front end tray from the power supply assembly.

To replace the ac front end trays, reverse steps 1 through 7.

Removal and Replacement

Figure 5-23 Removing the AC Front End Trays



Removal and Replacement

5.3.9 +5 Vdc Regulator Trays (PN 70-29046-01 and 70-29046-02)

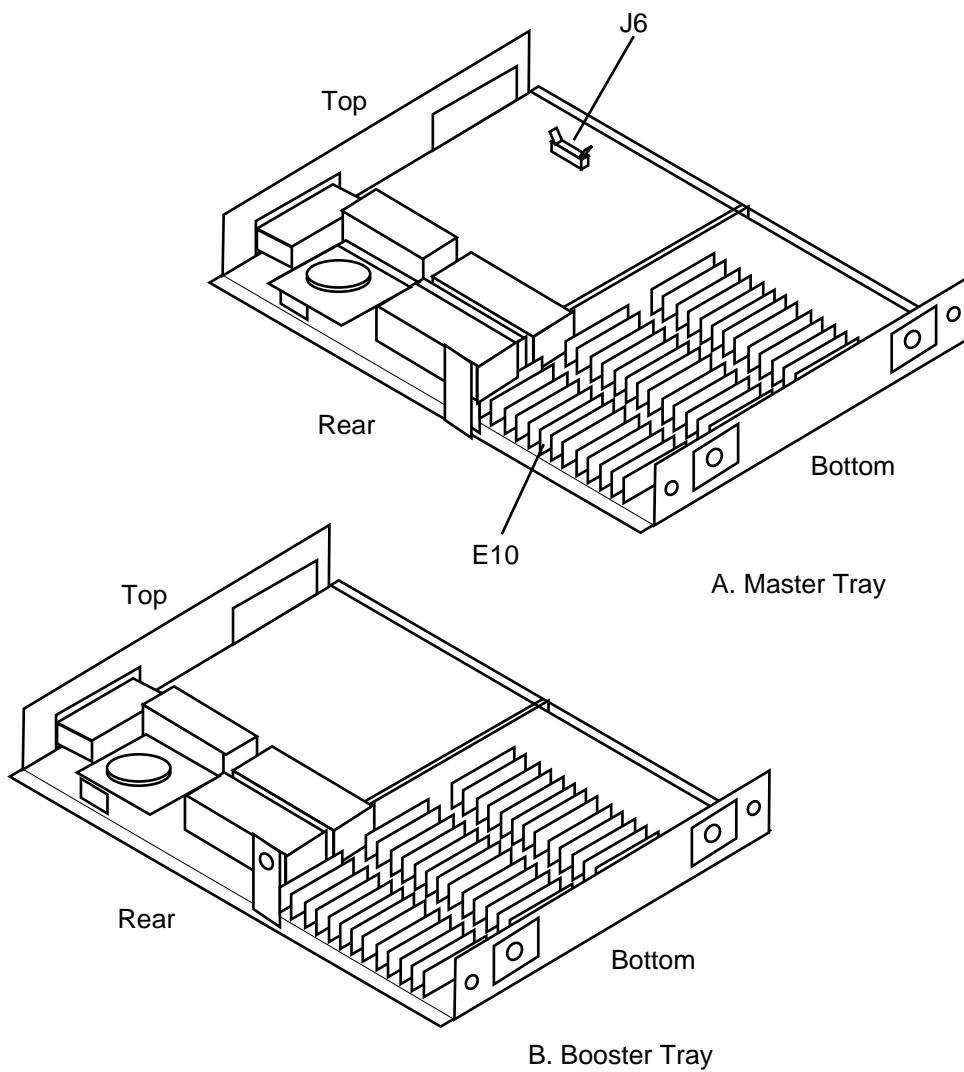
The XMI chassis contains two +5 Vdc regulator trays, a master unit (PN 70-29046-01) and a booster unit (PN 70-29046-02). These two trays provide the +5 Vdc power for the system. Their outputs are strapped together so that they supply a single distribution rail in the system backplane. See Figure 5–25 for location.

The +5 Vdc master and +5 Vdc booster regulator trays (see Figure 5–24) include the following as field replaceable units (FRUs):

- One 5 Vdc master converter module (PN 20-34928-01) on the -01 board (E10)
- Five 5 Vdc booster converter modules (PN 20-34929-01) (two on the -01 board and three on the -02 board)

Removal and Replacement

Figure 5-24 +5 Vdc Regulator Trays



MK233942

Removal and Replacement

Perform the following procedure to remove the +5 Vdc regulator trays:

WARNING

Before performing the following removal and replacement procedures, switch off the circuit breakers on the back of the XMI chassis and on the power controller.

1. Extend the XMI chassis for service (see Section 5.3.2).
2. Remove the top cover (see Section 5.3.3).

WARNING

High voltage is present on the power supply connectors for about 30 seconds after the XMI circuit breaker is turned off.

3. Disconnect the power supply connectors from the appropriate +5 Vdc regulator tray to be replaced (see Figure 5–21 and Figure 5–22).
4. Remove the bottom cover (see Section 5.3.4).
5. Remove the two 8-32 KEP nuts from the (-) bus bar on each of the +5 Vdc regulator trays (see Figure 5–25).
6. Lift the bus bar off of the mounting posts and carefully bend the (-) bus bar down and back out of the way so that the tray will clear the bus bar when the tray is removed (see Figure 5–25).
7. Remove the horseshoe shaped bus bar.
8. Remove the two 8-32 KEP nuts from the (+) bus bar on each of the +5 Vdc regulator trays (see Figure 5–25).
9. Remove the horseshoe shaped bus bar.
10. Lift the bus bar off of the mounting posts and carefully bend the (+) bus bar down and back out of the way so that the tray will clear the bus bar when the tray is removed (see Figure 5–25).

NOTE

It is not necessary to bend the bus bar out of the way to remove the master regulator tray.

Removal and Replacement

11. Remove the two screws securing the +5 Vdc regulator tray in the power supply assembly (see Figure 5-25).

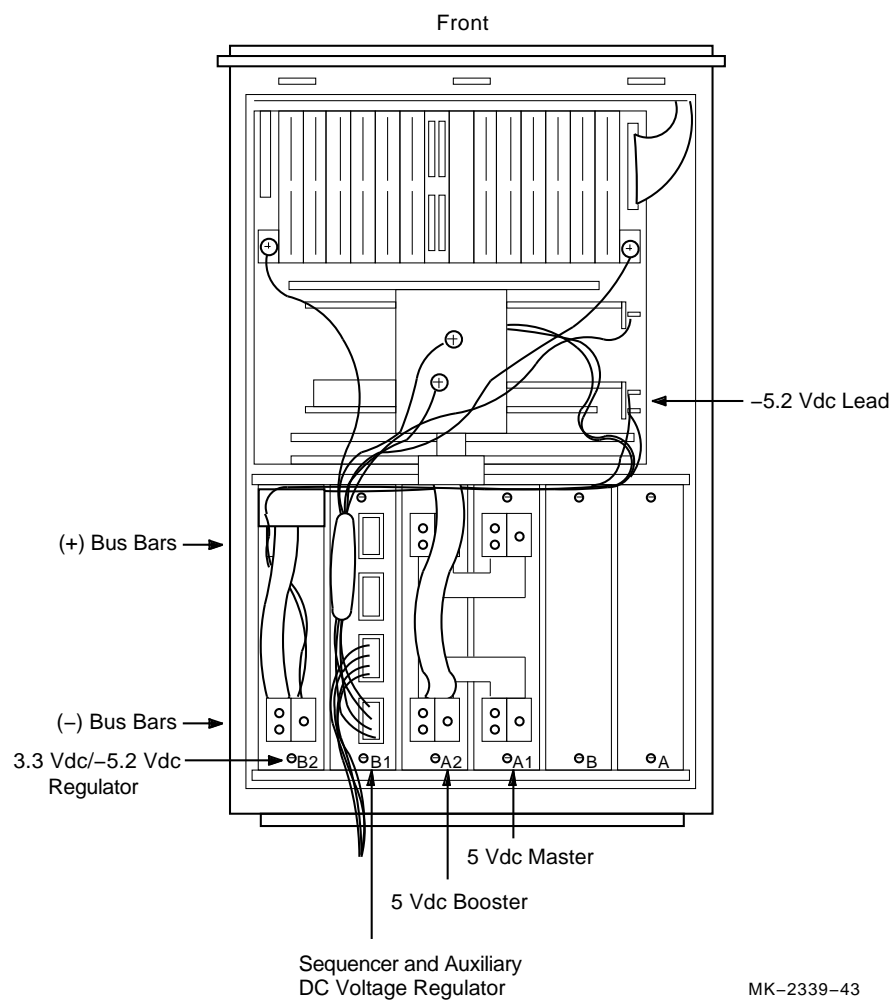
NOTE

If the tray to be replaced is the 5 Vdc master module, you must disconnect the ribbon cable from connector J6 before completely removing the tray (see Figure 5-24).

12. Remove the +5 Vdc regulator tray from the power supply assembly.
To replace the +5 Vdc regulator trays, reverse steps 1 through 12.

Removal and Replacement

Figure 5-25 Removing a Power Supply Tray



Removal and Replacement

5.3.10 Sequencer and Auxiliary DC Voltage Regulator Tray (PN 70-29046-03)

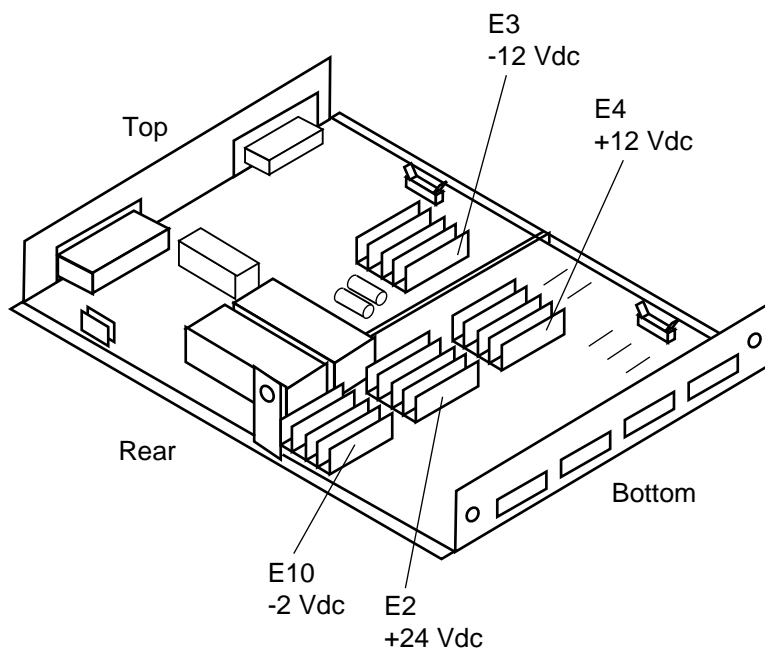
The sequencer and auxiliary dc voltage regulator tray provides +12 Vdc to the airflow sensors located at the rear of the cage. The -12 Vdc is used to power up the two Ethernet adapters. It also provide ± 12 Vdc to the XMI cage and to the XTC module to drive the serial port. +24 Vdc is provided for the two cooling air fans in the XMI chassis. In addition, (-2 Vdc) is provided to the XMI chassis. The power system sequencing circuitry is also resident on this tray. See Figure 5–25 for location.

FRUs on this tray (see Figure 5–26) include:

- Two 12 Vdc miniconverters (PN 20-34930-01) (E3 and E4)
- One 24 Vdc miniconverter (PN 20-34930-02) (E2)
- One 5 Vdc miniconverter (PN 20-34930-03) (E10)

Removal and Replacement

Figure 5-26 Sequencer and Auxiliary DC Voltage Regulator Tray



MK233944

Removal and Replacement

Perform the following procedure to remove the sequencer and auxiliary dc voltage regulator tray:

WARNING

Before performing the following removal and replacement procedures, switch off the circuit breakers on the back of the XMI chassis and on the power controller.

1. Extend the XMI chassis for service (see Section 5.3.2).
2. Remove the top cover (see Section 5.3.3).

WARNING

High voltage is present on the power supply connectors for about 30 seconds after the XMI circuit breaker is turned off.

3. Disconnect the power supply connectors from the tray (see Figure 5–21 and Figure 5–22).
4. Remove the bottom cover (see Section 5.3.4).
5. Remove the two power distribution cables by unplugging the connectors and pushing the cables back out of the way (see Figure 5–25).
6. Remove the CK-DEMNA Ethernet connections, if used.
7. Remove the two screws securing the sequencer and auxiliary dc voltage regulator tray in the power supply assembly (see Figure 5–25).

NOTE

There are two cables connected to the sequencer and auxiliary dc voltage regulator tray that must be disconnected. Disconnect these cables as the tray is being slid out of the chassis.

8. Remove the sequencer and auxiliary dc voltage regulator tray from the power supply assembly.

To replace the sequencer and auxiliary dc voltage regulator tray, reverse steps 1 through 8.

Removal and Replacement

5.3.11 3.3 Vdc/-5.2 Vdc Regulator Tray (PN 70-29046-04)

The 3.3 Vdc/-5.2 Vdc regulator tray, (see Figure 5-27), provides +3.3 Vdc and -5.2 Vdc to the system backplane. See Figure 5-25 for location.

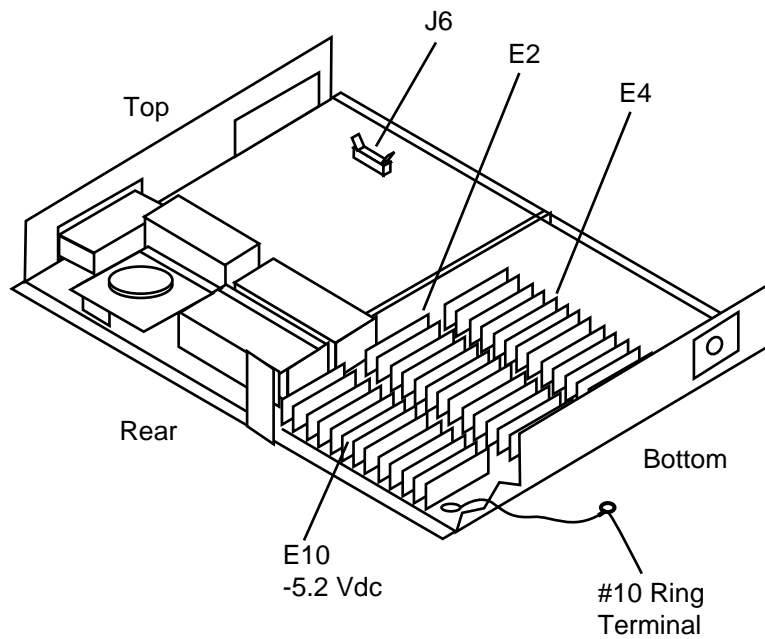
NOTE

The +3.3 Vdc is not used by the rackmount DEC 7000 AXP and VAX 7000 systems.

FRUs on this tray include:

- Two 5 Vdc master converter modules (PN 20-34928-01) (E10, E2)
- One 5 Vdc booster converter module (PN 20-34929-01) (E4)

Figure 5-27 3.3 Vdc/-5.2 Vdc Regulator Tray



MK233945

Removal and Replacement

Perform the following procedure to remove the 3.3 Vdc/-5.2 Vdc regulator tray:

WARNING

Before performing the following removal and replacement procedures, switch off the circuit breakers on the back of the XMI chassis and on the power controller.

1. Extend the XMI chassis for service (see Section 5.3.2).
2. Remove the top cover (see Section 5.3.3).

WARNING

High voltage is present on the power supply connectors for about 30 seconds after the XMI circuit breaker is turned off.

3. Disconnect the power supply connectors from the tray (see Figure 5-21 and Figure 5-22).
4. Remove the bottom cover (see Section 5.3.4).
5. Remove the -5.2 Vdc lead (white wire) from the stud on the backplane (see Figure 5-25).
6. Remove the two 8-32 KEP nuts from the (-) bus bar on the 3.3 Vdc/-5.2 Vdc regulator tray (see Figure 5-25).
7. Bend back the (-) bus bar.
8. Remove the two screws securing the 3.3 Vdc/-5.2 Vdc regulator tray in the power supply assembly (see Figure 5-25).

NOTE

Disconnect the ribbon cable from connector J6 before completely removing the tray (see Figure 5-27).

9. Remove the 3.3 Vdc/-5.2 Vdc regulator tray from the power supply assembly.
- To replace the 3.3 Vdc/-5.2 Vdc regulator tray, reverse steps 1 through 9.

Removal and Replacement

5.3.12 24 Vdc Fan (PN 12-23374-07)

The XMI chassis contains two 24 Vdc fans located toward the rear of the chassis. Perform the following procedure to remove the fan assembly:

WARNING

Before performing the following removal and replacement procedures, switch off the circuit breakers on the back of the XMI chassis and on the power controller.

1. Extend the XMI chassis for service (see Section 5.3.2).
2. Remove the top cover (see Section 5.3.3).
3. Disconnect the two power cables, one from each fan (see Figure 5–28).
4. Loosen the two screws that secure the fan assembly to the top frame of the chassis (see Figure 5–28).
5. Tilt the fan assembly toward the front of the chassis and remove through the top opening.
6. Replace the inoperative fan by removing the finger guards and removing the fan from the fan assembly.

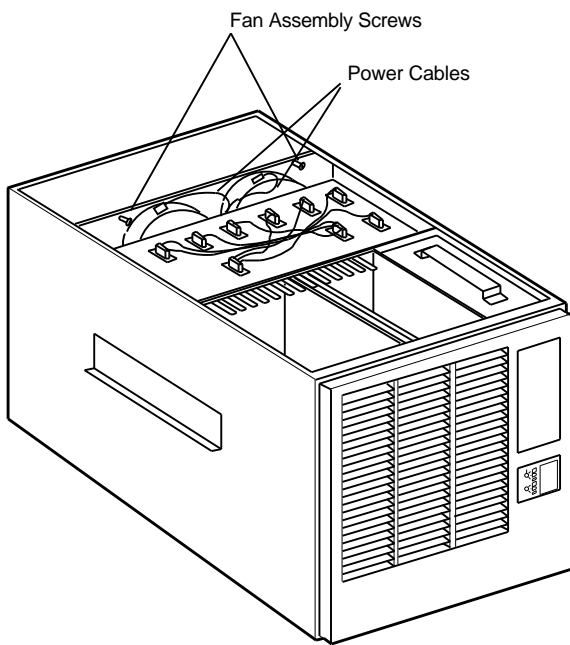
NOTE

Retain the spring clips and finger guard screws for installing the new fan. Note the orientation of the airflow and rotation indicators when installing the new fan.

To replace the fan assembly, reverse steps 1 through 6.

Removal and Replacement

Figure 5-28 Removing the Fan Assembly



MK-2339-46

Removal and Replacement

5.3.13 Airflow Sensors (PN 12-36060-01)

The XMI chassis contains two airflow sensors located at the rear of the card cage between the fans and the card cage.

Perform the following procedure to remove the airflow sensors:

WARNING

Before performing the following removal and replacement procedures, switch off the circuit breakers on the back of the XMI chassis and on the power controller.

1. Extend the XMI chassis for service (see Section 5.3.2).
2. Remove the bottom cover (see Section 5.3.4).

NOTE

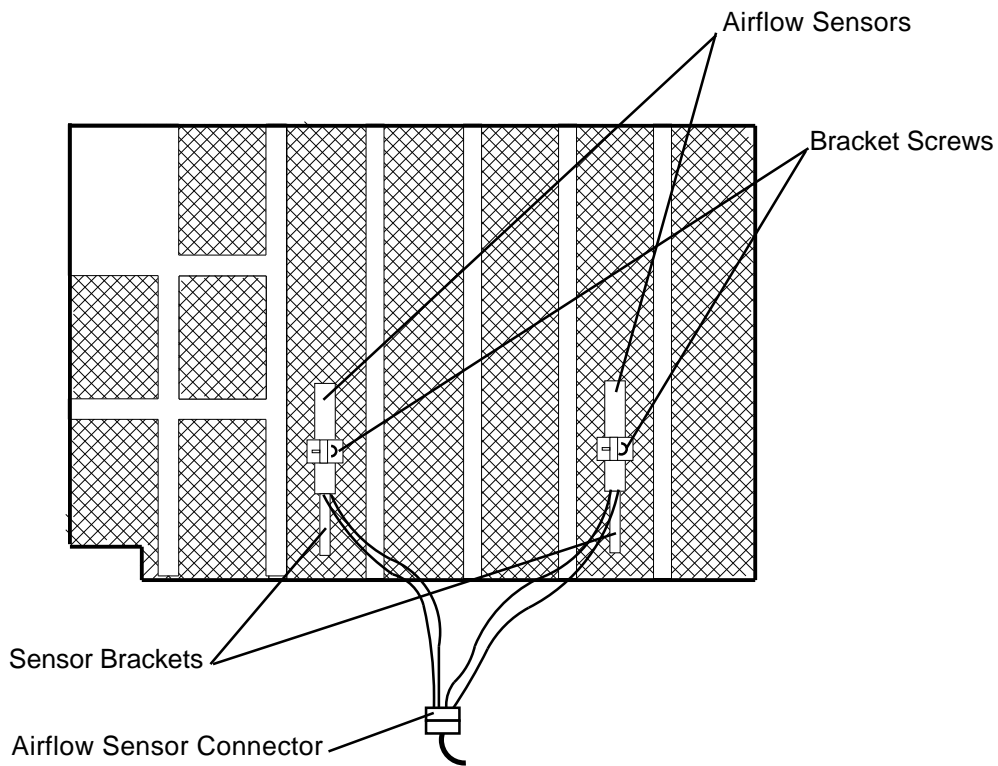
Note the position of the airflow sensor and the orientation of the sensor hole in respect to the card cage before removing the old unit. Replace this with a new unit positioned in exactly the same configuration as the original unit.

3. Carefully note the position and orientation of the sensors in relation to the card cage.
4. Disconnect the airflow sensor cable connector (see Figure 5–29).
5. Loosen the screws that secure the airflow sensors in their brackets (see Figure 5–29).
6. Slide the airflow sensors from the brackets that secure them to the rear of the card cage (see Figure 5–29).

To replace the airflow sensors, reverse steps 1 through 6.

Removal and Replacement

Figure 5-29 Airflow Sensors on Rear of Card Cage



MK-2339-47

Removal and Replacement

5.3.14 AC Input Assembly (PN 70-31008-01)

The ac input assembly is located at the rear of the XMI chassis.

Perform the following procedure to remove the ac input assembly:

WARNING

Before performing the following removal and replacement procedures, switch off the circuit breakers on the back of the XMI chassis and on the power controller.

1. Extend the XMI chassis for service (see Section 5.3.2).
2. Remove the bottom cover (see Section 5.3.4).

WARNING

High voltage is present on the ac front end tray connectors for about 30 seconds after the XMI circuit breaker is turned off.

3. Disconnect the ac input connectors from the rear side of the ac front end trays, between the trays and the fans.
4. Slide the XMI chassis back into the equipment cabinet.
5. Open the rear door of the equipment cabinet.
6. Remove the six screws that secure the exhaust grill to the XMI chassis and remove the exhaust grill (see Figure 5–30).
7. Reach through the exhaust grill opening and disconnect the red and white wires (spade lug leads) from the circuit breaker.
8. Reach through the exhaust grill opening and remove the outside nut from the ground stud and disconnect the two ground wires (green/yellow) coming from the ac front end tray connectors.
9. Reach through the exhaust grill opening and remove the inside nut from the ground stud and disconnect the ground wire (green/yellow) coming from the ac input line filter.
10. Remove the 8 screws (3 on the side, 1 on the top, and 4 on the rear) that secure the ac input assembly in the chassis (see Figure 5–30).

Removal and Replacement

11. Remove the ac input assembly while carefully guiding the cables to the ac front end trays through the opening below the assembly.

NOTE

It may be helpful to remove the I/O bulkhead plate cover below the ac input assembly to help guide the ac front end tray cables through the opening below the assembly.

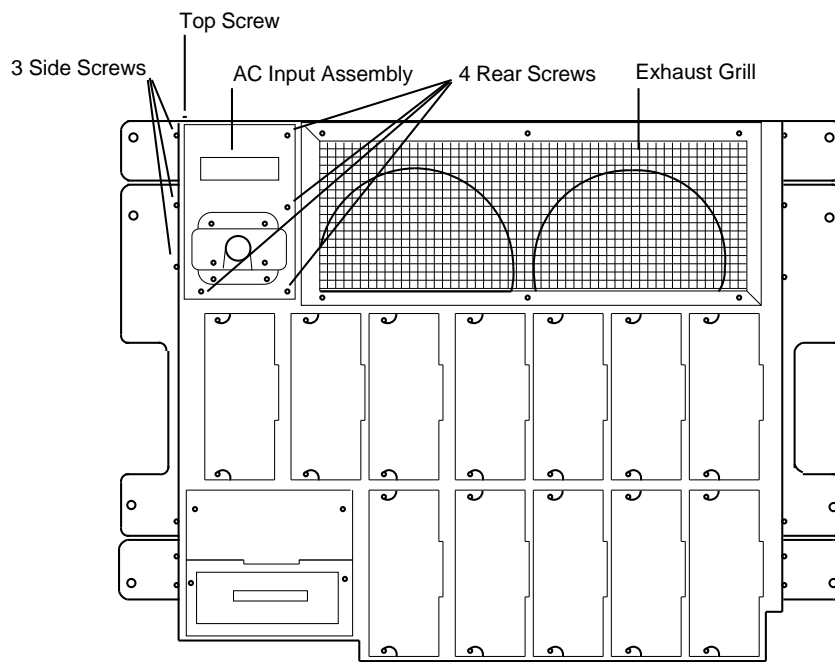
To replace the ac input assembly, reverse steps 1 through 11.

WARNING

When reconnecting the green/yellow ground wires, ensure that the ground wire from the ac input line filter is secured against the chassis wall with a separate nut before reconnecting the two ground wires from the ac front end tray connectors.

Removal and Replacement

Figure 5-30 Removing the AC Input Assembly



MK-2339-48

Removal and Replacement

5.3.15 TF85 Tape Drive

Perform the following procedure to remove the TF85 tape drive:

WARNING

Before performing the following removal and replacement procedures, switch off the circuit breakers on the back of the XMI chassis and on the power controller.

1. Extend the XMI chassis for service (see Section 5.3.2).
2. Remove the top cover (see Section 5.3.3).
3. Remove the four screws that secure the RRD42/TF85 option cage to the right side of the chassis.
4. Tilt the rear of the RRD42/TF85 option cage upward and disconnect the two connectors from the back of the TF85.
5. Push the two connectors from the back of the TF85 back through the access slot located on the rear of the RRD42/TF85 option cage.
6. Tilt the RRD42/TF85 option cage upward at the rear and lift the cage out.
7. Remove the four screws (two at the top and two at the bottom) that secure the TF85 tape drive in the option cage.
8. Slide the TF85 tape drive out of the option cage.

To replace the TF85 tape drive, reverse steps 1 through 8.

Removal and Replacement

5.3.16 TF85 Interface Board

Perform the following procedure to remove the TF85 interface board:

WARNING

Before performing the following removal and replacement procedures, switch off the circuit breakers on the back of the XMI chassis and on the power controller.

1. Extend the XMI chassis for service (see Section 5.3.2).
2. Remove the top cover (see Section 5.3.3).
3. Remove the bottom cover (see Section 5.3.4).
4. Disconnect the power supply connector harnesses from the top of the power supply trays and ensure that they are properly labeled for reconnection.
5. Remove the six screws securing the cover over the power supply trays and remove the cover.

CAUTION

You must wear an antistatic wriststrap attached to the chassis when handling any modules.

6. Put on the antistatic wriststrap. This strap is contained in the plastic pouch located on top of the power supply modules.
7. Disconnect the three cables from the TF85 interface board(s) that is mounted inside the right side of the chassis, behind the RRD42/TF85 option cage.
8. Squeeze the ends of the four standoffs securing the board(s) to the chassis (access two from the top and two from the bottom), and move the board past the locking tab on each standoff.
9. Lift the board out through the top of the chassis.

To replace the TF85 interface board, reverse steps 1 through 9.

Removal and Replacement

5.3.17 RRD42 CD-ROM Reader

Perform the following procedure to remove the RRD42 CD-ROM reader:

WARNING

Before performing the following removal and replacement procedures, switch off the circuit breakers on the back of the XMI chassis and on the power controller.

1. Extend the XMI chassis for service (see Section 5.3.2).
2. Remove the top cover (see Section 5.3.3).
3. Remove the four screws that secure the RRD42/TF85 option cage to the right side of the chassis.
4. Tilt the rear of the RRD42/TF85 option cage upward and disconnect the two connectors from the back of the RRD42.
5. Push the two connectors from the back of the RRD42 back through the access slot located on the rear of the RRD42/TF85 option cage.
6. Tilt the RRD42/TF85 option cage upward at the rear and lift the cage out.
7. Remove the four screws (two at the top and two at the bottom) that secure the RRD42 CD-ROM reader in the option cage.
8. Slide the RRD42 CD-ROM reader out of the option cage.

To replace the RRD42 CD-ROM reader, reverse steps 1 through 8.

A

Option Installation

A.1 Introduction

This appendix contains general instructions for installing options in the XMI (BA601-AC) chassis and the specific installation instructions for the 2T-CIXCD-RA option.

A.2 Accessing the XMI Card Cage

Perform the following procedure to access the XMI card cage:

WARNING

Before performing this procedure, switch off the circuit breakers on the back of the XMI chassis and on the power controller.

1. Extend the stabilizing legs at the front of the cabinet (if stabilizing legs are provided).

WARNING

Before extending the XMI chassis for service, ensure that the rack or cabinet is stable and that all provided stabilizing features have been activated. The stabilizing features for the rack or cabinet are configuration dependent.

2. Extend the XMI chassis for service (see Section 5.3.2).

Option Installation

3. Remove the top cover (see Section 5.3.3).

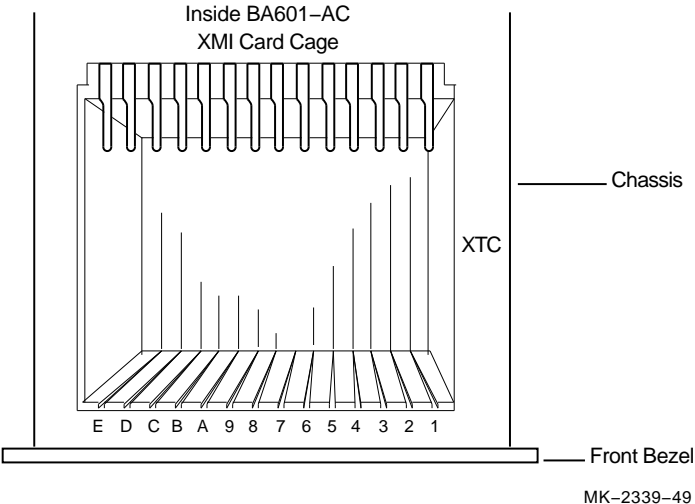
CAUTION

You must wear an antistatic wriststrap attached to the chassis when handling any modules.

4. Put on the antistatic wriststrap. This strap is contained in the plastic pouch located on top of the power supply modules.
5. Select the slot where the option card is to be installed and lift the lever to open the chosen slot. Figure A-1 shows the slot designations of the XMI card cage as viewed from the top front of the chassis.
6. Align the option card with the chosen slot and slide the card down into the slot until it stops.
7. Lower the lever to lock the card into the slot.
8. Replace the top cover.
9. Proceed to Section A.3 and perform the cabling of the option.

Option Installation

Figure A-1 Top Front View of Card Cage Slot Designations



Option Installation

A.3 Cabling of Options Installed in the XMI Chassis

Perform the following procedure to access the XMI chassis card cage backplane area to install the option cables:

WARNING

Before performing this procedure, switch off the circuit breakers on the back of the XMI chassis and on the power controller.

1. Extend the stabilizing legs at the front of the cabinet (if stabilizing legs are provided).

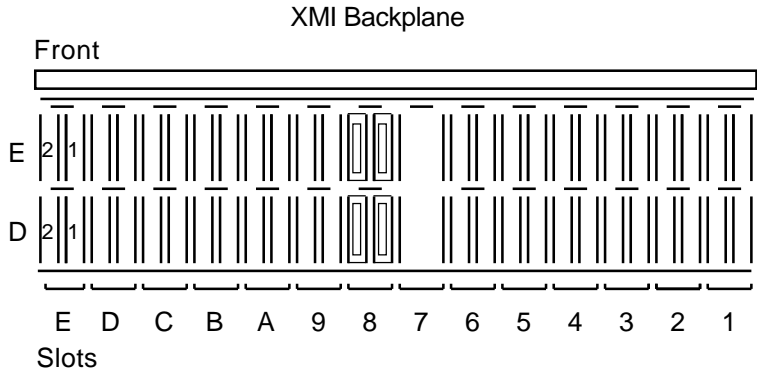
WARNING

Before extending the XMI chassis for service, ensure that the rack or cabinet is stable and that all provided stabilizing features have been activated. The stabilizing features for the rack or cabinet are configuration dependent.

2. Extend the XMI chassis for service (see Section 5.3.2).
3. Remove the bottom cover (see Section 5.3.4).
4. Press in on the left and right slide locks and slide the XMI chassis back into the equipment cabinet.
5. Access the I/O bulkhead at the rear of the XMI chassis.
6. Remove the number of plate covers from the I/O bulkhead that are required for the installation of the option's cable assembly plate.
7. Feed the option's cables through the opening in the I/O bulkhead.
8. Attach the cable assembly plate to the I/O bulkhead by using the proper number of screws.
9. Extend the XMI chassis and route the option cables through the bottom of the XMI chassis to the card cage backplane.
10. Connect the option cables to the backplane slot that the option is installed in by following the installation instructions provided with the option being installed in the chassis (Figure A-2).

Option Installation

Figure A-2 Bottom View of Card Cage Slot Designations



MK-2339-50

11. Replace the bottom cover.
12. Press in on the left and right slide locks and slide the XMI chassis into the cabinet.
13. Install the four retaining screws that secure the chassis to the front rails.
14. Replace the front bezel.

Option Installation

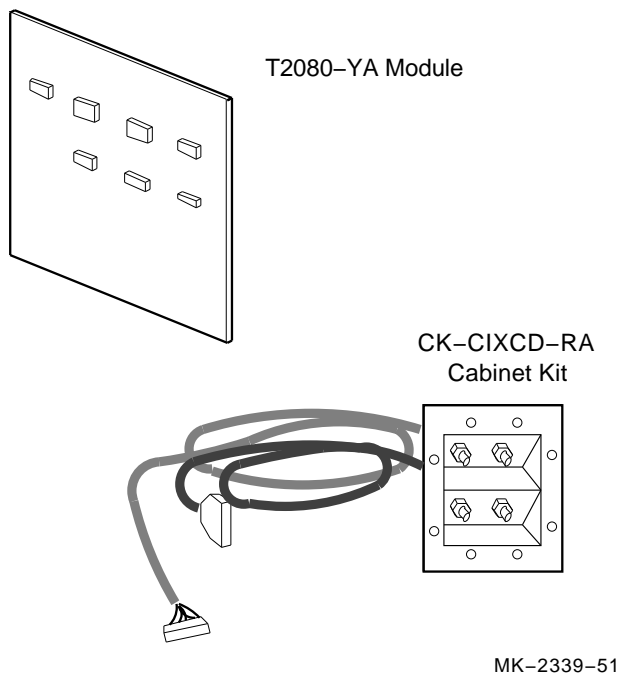
A.4 Installing the 2T-CIXCD-RA Option

The 2T-CIXCD-RA option provides the interface between the rackmount DEC 7000 AXP and VAX 7000 systems high-speed XMI bus and the CI bus.

The 2T-CIXCD-RA option kit consists of the following (see Figure A-3):

- T2080-YA module
- CK-CIXCD-RA cabinet kit

Figure A-3 2T-CIXCD-RA Option Kit Contents



Option Installation

Perform the following procedure to install the 2T-CIXCD-RA option:

WARNING

Before performing this procedure, switch off the circuit breakers on the back of the XMI chassis and on the power controller.

1. Extend the stabilizing legs at the front of the cabinet (if stabilizing legs are provided).

WARNING

Before extending the XMI chassis for service, ensure that the rack or cabinet is stable and that all provided stabilizing features have been activated. The stabilizing features for the rack or cabinet are configuration dependent.

2. Extend the XMI chassis for service (see Section 5.3.2).
3. Remove the top cover (see Section 5.3.3).

CAUTION

You must wear an antistatic wriststrap attached to the chassis when handling any modules.

4. Put on the antistatic wriststrap. This strap is contained in the plastic pouch located on top of the power supply modules.
5. Select the slot where the T2080-YA module is to be installed and lift the lever to open the chosen slot. Figure A-1 shows the slot designations of the XMI card cage as viewed from the top front of the chassis.
6. Align the T2080-YA module with the chosen slot, with the components facing to the right of the card cage, and slide the module down into the slot until it stops.
7. Lower the lever to lock the module into the slot.
8. Replace the top cover.
9. Remove the bottom cover (see Section 5.3.4).

Option Installation

10. Press in on the left and right slide locks and slide the XMI chassis back into the equipment cabinet.
11. Access the I/O bulkhead at the rear of the XMI chassis.
12. Remove the plate covers from a quad position on the I/O bulkhead for the installation of the cable assembly plate.
13. Feed the connectors from both cables through the opening in the I/O bulkhead.
14. Attach the cable assembly plate to the I/O bulkhead by using the four screws.
15. Extend the XMI chassis and route the connectors from both cables through the bottom of the XMI chassis to the card cage backplane.
16. Connect the cables to the backplane slot that the T2080-YA module is installed in. Refer to Figure A-2 for backplane slot locations.
17. Connect the 30-pin (keyed) RaRb cable connector of the Receive coaxial cable into the T2080-YA slot, Section E1, of the backplane (see Figure A-4).
18. Connect the 30-pin (unkeyed) TaTb cable connector of the Transmit coaxial cable into the T2080-YA slot, Section D1, of the backplane (see Figure A-4).

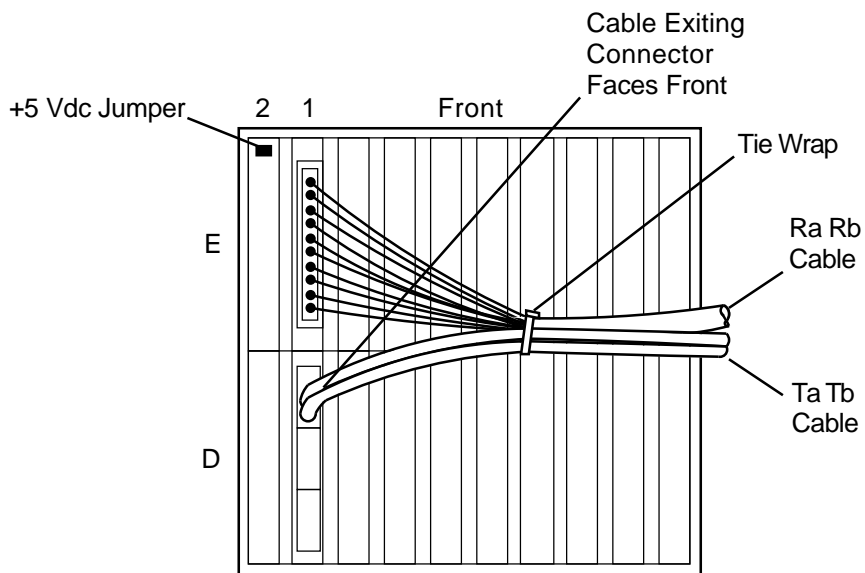
NOTE

The cable exiting this connector must face towards the front of the chassis when installed.

19. Install the +5 Vdc jumper in the T2080-YA slot, Section E2, of the backplane at pin location 45-15 for CIXCD setting (see Figure A-4).
20. Refer to the *CIXCD Interface User Guide* for instructions on setting cluster size (T2080-YA slot, Section D2).
21. Dress the cables as shown in Figure A-4.

Option Installation

Figure A-4 Installing the 2T-CIXCD-RA Connectors and Jumper



MK-2339-52

22. Replace the bottom cover.
23. Press in on the left and right slide locks and slide the XMI chassis into the cabinet.
24. Install the four retaining screws that secure the chassis to the front rails.
25. Replace the front bezel.

B

Field Replaceable Units

This appendix lists the major field replaceable units (FRUs) for the LSB (BA700-AA) and the XMI (BA601-AC) chassis.

Table B-1 lists the major field replaceable units (FRUs) and part numbers for the LSB (BA700-AA) chassis.

Table B-1 LSB Chassis Field Replaceable Units

| Part Description | Part Number |
|---|--------------------|
| 48 Vdc Power Supply | 30-39348-02 |
| Control Panel | 54-21719-01 |
| Blower Assembly | 12-41009-01 |
| AC Input Box | 30-39579-01 |
| I/O Port Controller Module | E2044-AA |
| DEC 7000 AXP CPU Module | E2040-AA |
| VAX 7000 CPU Module | E2045-AA |
| 64-MB Memory Module | E2043-AA |
| 128-MB Memory Module | E2043-BA |
| 256-MB Memory Module | E2043-CA |
| 512-MB Memory Module | E2046-AA |
| Power Cord | 17-00083-37 |
| DEC Power Bus Cable (BA700 to first power controller) | 70-31534-01 |
| DEC Power Bus Extender (master power controller to slave) | 70-08288-3F |
| Console Cable | 17-01364-02 |

Field Replaceable Units

Table B–2 lists the major field replaceable units (FRUs) and part numbers for the XMI (BA601-AC) chassis.

Table B–2 XMI Chassis Field Replaceable Units

| Part Description | Part Number |
|---|--------------------|
| Control Panel Bezel | 70-22117-01 |
| Control Panel Module | 54-16574-02 |
| XTC Timing Module | 70-31509-01 |
| AC Front End Tray Assembly | 70-27334-01 |
| +5 Vdc Master Regulator Tray | 70-29046-01 |
| +5 Vdc Booster Regulator Tray | 70-29046-02 |
| 5 Vdc Master Converter Module | 20-34928-01 |
| 5 Vdc Booster Converter Module | 20-34929-01 |
| Sequencer and Auxiliary DC Voltage Regulator Tray | 70-29046-03 |
| 12 Vdc Miniconverter | 20-34930-01 |
| 24 Vdc Miniconverter | 20-34930-02 |
| 5 Vdc Miniconverter | 20-34930-03 |
| 3.3 Vdc/-5.2 Vdc Regulator Tray | 70-29046-04 |
| 5 Vdc Master Converter Module | 20-34928-01 |
| 5 Vdc Booster Converter Module | 20-34929-01 |
| 24 Vdc Fan | 12-23374-07 |
| Airflow Sensor | 12-36060-01 |
| AC Input Assembly | 70-31008-01 |
| I/O Cable [135 cm (53.15 in.)] | 17-03085-02 |
| I/O Cable [290 cm (114.18 in.)] | 17-03085-01 |
| Twist-lock Adapter Cord | 70-31504-01 |

C

Send Us Your Comments

We welcome your comments on this manual. Please take the time to fill out the Reader's Comments/Mailer page that follows. Your input is valuable in improving future releases of our documentation.

Reader's Comments

Rackmount DEC 7000 AXP
and VAX 7000 Systems
Installation/Owner's Guide
EK-R7000-IN.A01

Your comments and suggestions help us improve the quality of our publications.

Thank you for your assistance.

| I rate this manual's: | Excellent | Good | Fair | Poor |
|--|--------------------------|--------------------------|--------------------------|--------------------------|
| Accuracy (product works as manual says) | <input type="checkbox"/> | <input type="checkbox"/> | <input type="checkbox"/> | <input type="checkbox"/> |
| Completeness (enough information) | <input type="checkbox"/> | <input type="checkbox"/> | <input type="checkbox"/> | <input type="checkbox"/> |
| Clarity (easy to understand) | <input type="checkbox"/> | <input type="checkbox"/> | <input type="checkbox"/> | <input type="checkbox"/> |
| Organization (structure of subject matter) | <input type="checkbox"/> | <input type="checkbox"/> | <input type="checkbox"/> | <input type="checkbox"/> |
| Figures (useful) | <input type="checkbox"/> | <input type="checkbox"/> | <input type="checkbox"/> | <input type="checkbox"/> |
| Examples (useful) | <input type="checkbox"/> | <input type="checkbox"/> | <input type="checkbox"/> | <input type="checkbox"/> |
| Index (ability to find topic) | <input type="checkbox"/> | <input type="checkbox"/> | <input type="checkbox"/> | <input type="checkbox"/> |
| Page layout (easy to find information) | <input type="checkbox"/> | <input type="checkbox"/> | <input type="checkbox"/> | <input type="checkbox"/> |

I would like to see more/less _____

What I like best about this manual is _____

What I like least about this manual is _____

I found the following errors in this manual:

| Page | Description |
|-------|-------------|
| _____ | _____ |
| _____ | _____ |
| _____ | _____ |

Additional comments or suggestions to improve this manual:

For software manuals, please indicate which version of the software you are using: _____

Name/Title _____ Dept. _____

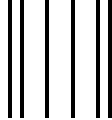
Company _____ Date _____

Mailing Address _____

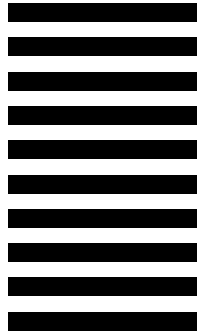
Phone _____

Do Not Tear - Fold Here and Tape

digital™



No Postage
Necessary
If Mailed
in the
United States



BUSINESS REPLY MAIL
FIRST CLASS PERMIT NO. 33 MAYNARD MASS.

POSTAGE WILL BE PAID BY ADDRESSEE

DIGITAL EQUIPMENT CORPORATION
Information Design and Consulting
ZKO1-3/J35
110 SPIT BROOK RD
NASHUA, NH 03062-9987



Do Not Tear - Fold Here