



3 1/2-Inch SCSI Disk Drive Installation Instructions

EK-SC3DR-IN. A01

November 1992

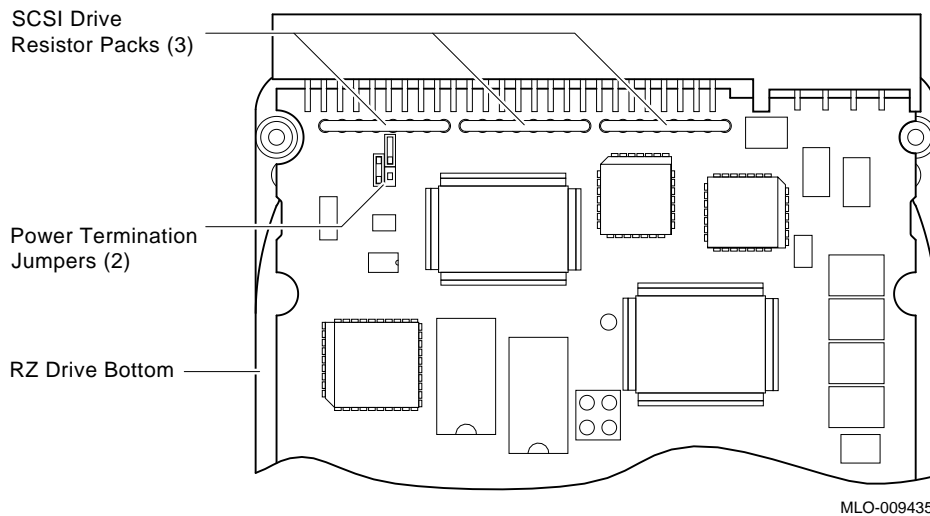
This document illustrates how to install all 3 1/2-inch RZ-Series SCSI drives into the DEC 4000 AXP™ Model 600 Series system.

© Digital Equipment Corporation 1992. All rights reserved.

S2125

1 RZ-Series 3 1/2-Inch Fixed Disks

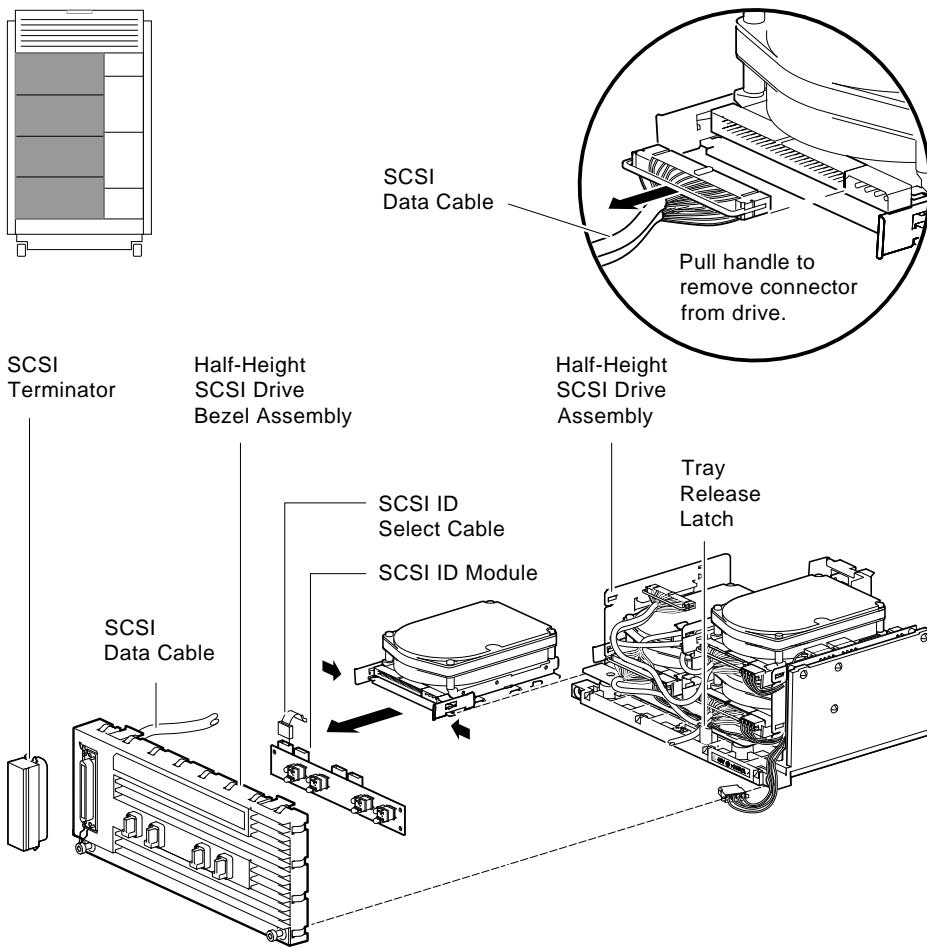
Figure 1 SCSI Terminators and Resistor Packs for 3 1/2-Inch Drives



Caution

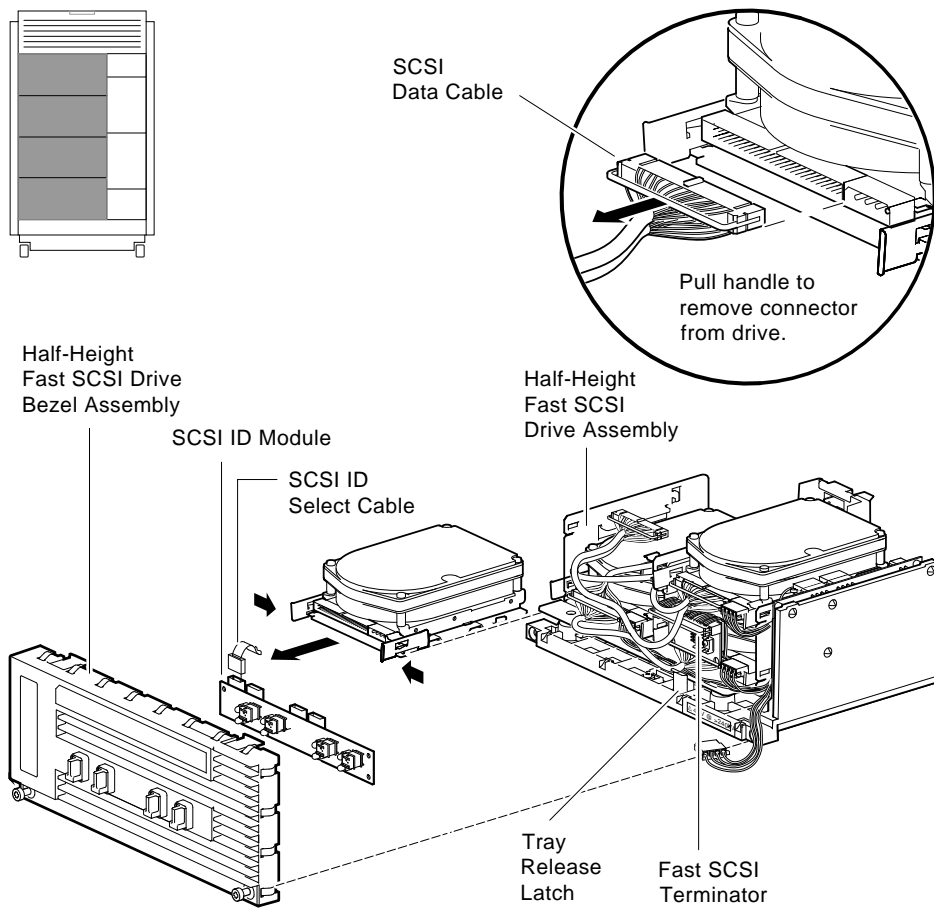
When adding a SCSI 3 1/2-inch disk drive to the DEC 4000 AXP system, remove the three resistor packs and two power termination jumpers shown in Figure 1 to avoid bus problems.

Figure 2 RZ-Series 3 1/2-Inch Storage Assembly



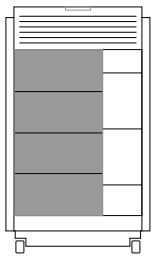
MLO-009817

Figure 3 RZ-Series 3 1/2-Inch Fast SCSI Storage Assembly

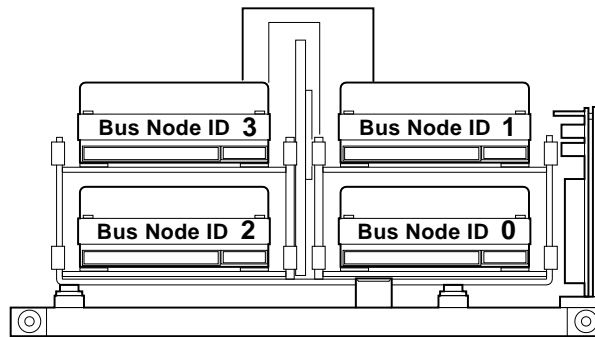


MLO-009428

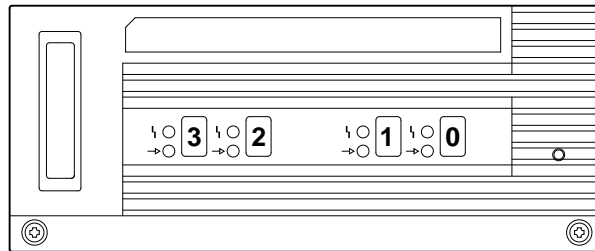
Figure 4 RZ-Series 3 1/2-Inch Drive Selection



3 1/2-Inch Fixed-Media Storage Tray



Front Panel



MLO-009819